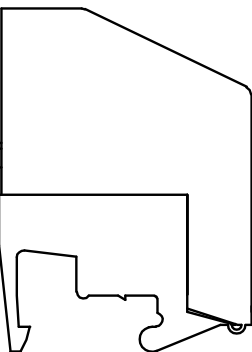
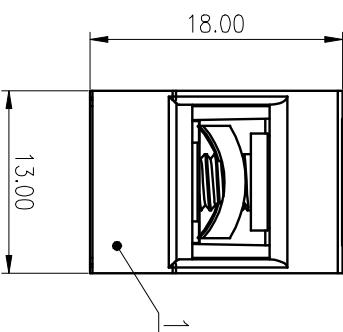
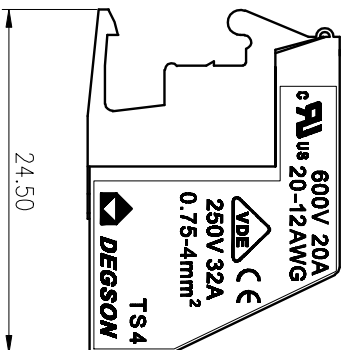
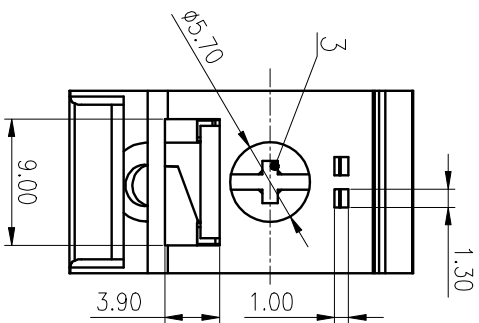


精度等级/General	tolerance/(mm)	0	>3	>6	>10	>18	>30	>50	>80	>120	>180	>250	>315	>400	>500	0.1/1/10
~	~	~	~	~	~	~	~	~	~	~	~	~	~	~	~	±Z
±0.12	±0.18	±0.22	±0.26	±0.31	±0.37	±0.57	±0.80	±0.93	±1.05	±1.15	±1.60	±2.20	±2.50	±Z		



ITEM	NAME OF PART	MATERIAL	NOTES
3	Screw	Steel	M4/Zn Plated
2	Pin header	Copper	Sn Plated
1	Housing	PA66	UL94V-0

UL 标准 /UL Standard:	B	C	D
额定电压/电源 /Rated Voltage(V)/Current(A)	600/20	600/20	600/5
IEC 标准 /IEC Standard:			
过压类别 /Overvoltage Category /标称等级	III/2		
污染等级 /Pollution Degree	III/2		
额定电压/电源 /Rated Voltage(V)/Current(A)	250/32		
工额耐压 /Withstanding voltage	AC2000V/1Min		
螺栓扭矩 /Torque Tightening(N·m/Lb·in)	M4: 1.2/10.53		
线芯范围 (硬线和软线) /Wire Range(rigid and flexible)(mm² /AWG)	0.75~4/20~12		
剥线长度 /Stripping length(mm)	8~10		
使用温度范围 /Operating Temperature(°C)	-40~+105		
符合RoHS环保要求 /Conform to RoHS	Yes		
标准颜色编号 /Standard color number: RAL	RAL 2000		

MATERIAL: / SURFACE: /

MAT NO.: /

STATUS: /

APPD: /

CHKD: /

DRAWING NO.: TS4-C02

TYPE: CUSTOMER DRAWING

SCALE: 2:1 SHEET 1/1

NAME: **DEGSON® NINGBO DEGSON ELECTRICAL CO., LTD**
宁波高松电子有限公司

TS4-01P-15-01A(H)

REV	ECN	DESCRIPTION	DRAFT	DATE
1	2	3	4	5

