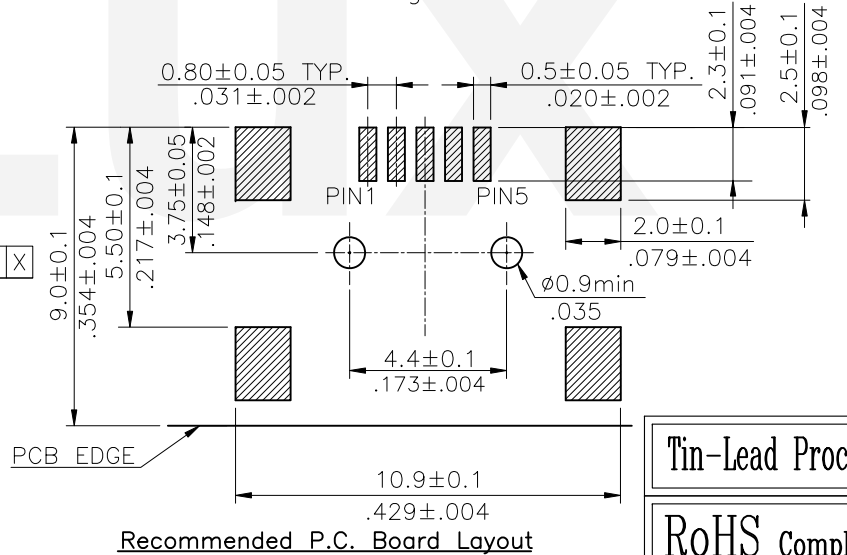
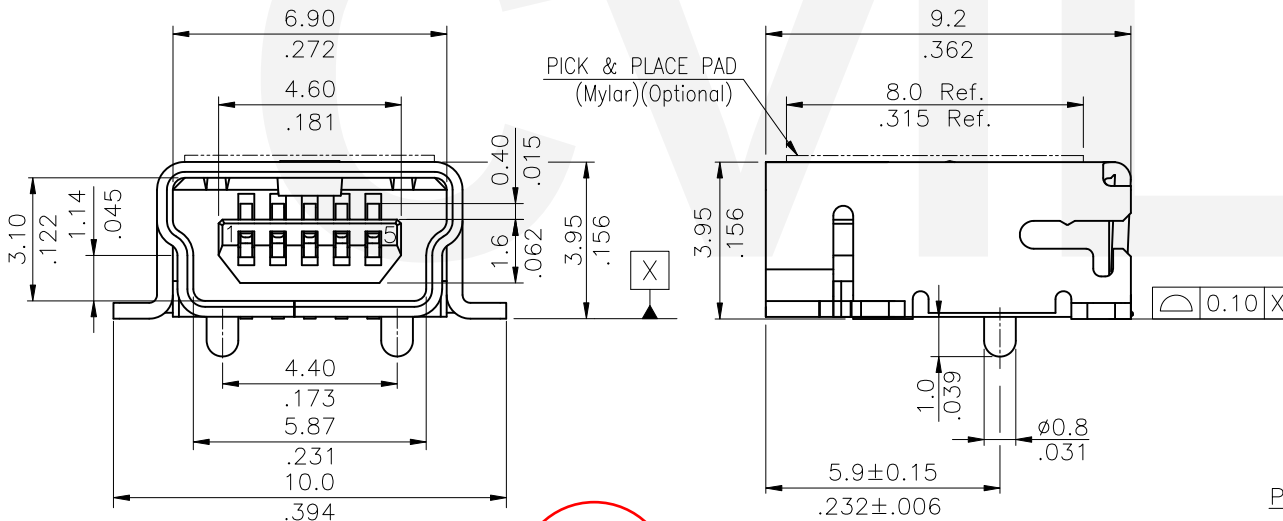
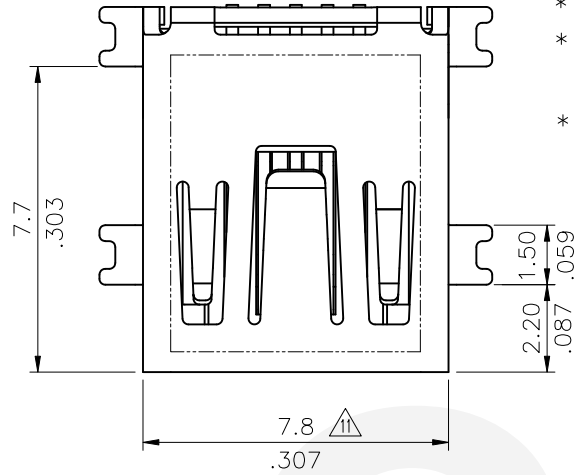


Note:

- \* Insulation: Glass filled Polyamide UL 94V-0
- \* Contacts: Copper Alloy
- \* Shell: Copper Alloy
- \* Shell Plating:  
120 $\mu$ " Tin plated over 30 $\mu$ " Nickel
- \* For Tin-Lead IR Reflow Process



Ordering Code:


CU04 S C M 1 5 B 0 -R0  
① ② ③ ④ ⑤ ⑥ ⑦ ⑧ ⑨

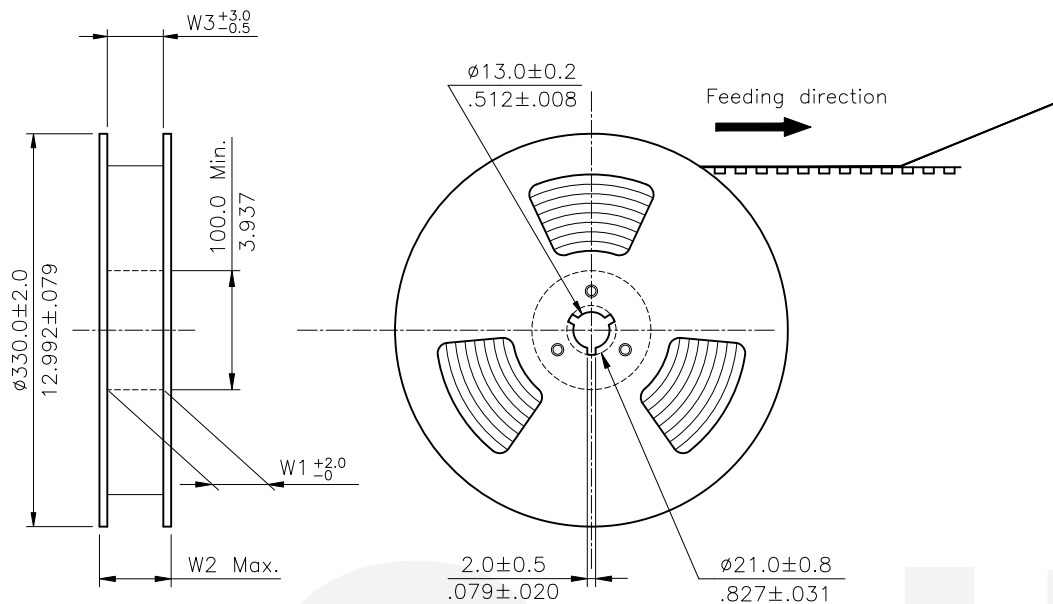
- ① Series No.
- ② S= Socket
- ③ Plating option:  
A= Selective Gold flash plated over 1.27 $\mu$ m(50 $\mu$ "") Nickel  
C= Selective 0.76 $\mu$ m(30 $\mu$ "") Gold plated over 1.27 $\mu$ m(50 $\mu$ "") Nickel
- ④ Tail style: M= SMT Type
- ⑤ Insulator Color: 1= Black
- ⑥ No of Circuits: 5= 5 Pin
- ⑦ Type: B= Mini USB 5 Pin Type-B
- ⑧ Option: 0= Standard
- ⑨ Packing Option:  
-R0= Tape & Reel Packing (With Pick & Place Pad)  
-T0= Tube Packing



Tin-Lead Process

RoHS Compliant

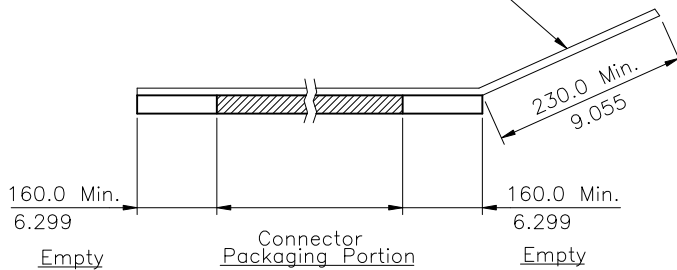
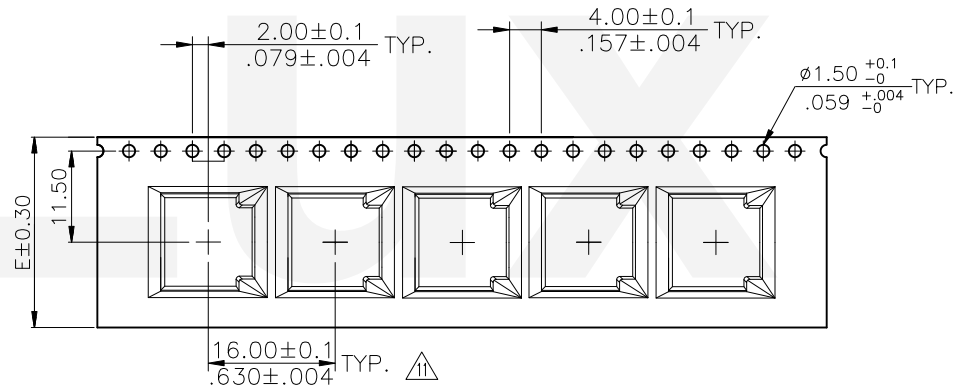
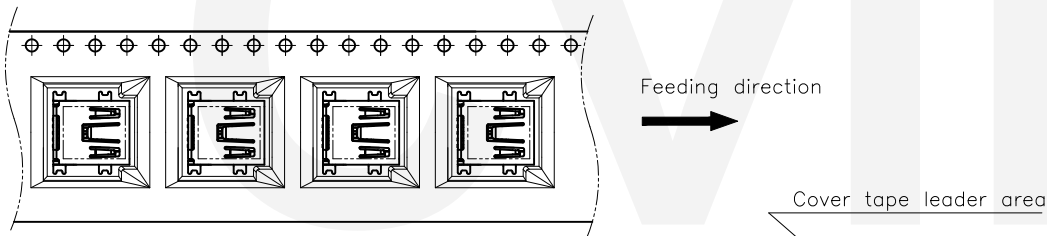
①	Sun	4/06-22'	ECNT122047/ECRD122008,009,010	DATE	UNIT: mm / inch	TITLE: MINI USB 5 PIN SMT BOARD MOUNT CONNECTOR	 瀚荃股份有限公司 CviLux Corporation
⑩	Enya	2/19-14'	ECNT114026	DRAWN BY: Sun	4/29-22'	TOLERANCE UNLESS OTHERWISE SPECIFIED	
⑨	Enya	7/11-12'	ECR12056-1/ECN12142-0	ENGINEER: Sun	4/29-22'	.X ± 0.20/.008 X' ± 1'	
⑧	Karen	5/24-10'	ECN10083	CHECKED BY: Eisley	5/4-22'	.XX ± 0.10/.004 X' ±	
SYM	NAME	DATE	REVISIONS	APPROVED BY: Eisley	5/4-22'	.XXX ± 0.05/.002 .XX' ±	DRAWING NO. CU0404SQ PART NO. CU04S*M15B0-*0 SCALE 5 / 1 SHEET 1 OF 2




NOTE :

- \* Reel Material : Corrugated Paper
- \* Carrier Material : Black, Conductive Polystyrene Alloy
- \* Cover Tape Material : Polyester
- \* Cover Tape Peel Strength : 0.1N – 1.3N
- \* Carrier camber is within 1mm in 250mm
- \* All dimensions meet EIA-481-B requirements.
- \* Quantity : 700 PCS/Reel

Dimension				Packing (Reel/Carton)
E	W1	W2	W3	
24.0(.945)	24.5(.965)	30.5(1.201)	24.5(.965)	9



RoHS Compliant

△11	Sun	4/06-22'	ECNT122047/ECRD122008,009,010	DATE	UNIT: mm / inch	TITLE: MINI USB 5 PIN SMT BOARD MOUNT CONNECTOR	 瀚荃股份有限公司 CviLux Corporation	
△10	Enya	2/19-14'	ECNT114026	DRAWN BY: Sun	TOLERANCE UNLESS OTHERWISE SPECIFIED	MATERIAL:		
△9	Enya	7/11-12'	ECR12056-1/ECN12142-0	ENGINEER: Sun	.X ±	FINISH:		
△8	Karen	5/24-10'	ECN10083	CHECKED BY: Eisley	.XX ±		DRAWING NO. CU0404SQ	
SYM	NAME	DATE	REVISIONS	APPROVED BY: Eisley	.XXX ±		PART NO. CU04S*M15B0-*0	
							SCALE	SHEET 2 OF 2

CVILUX CORP  
2022.05.05  
ISSUED