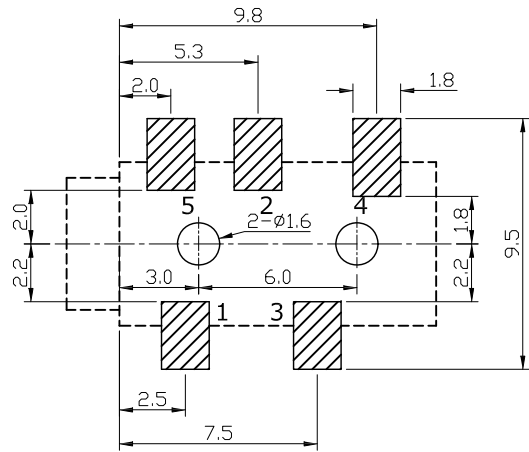
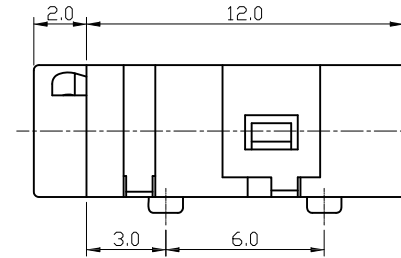
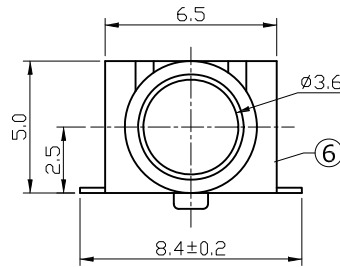


SPECIFICATIONS:

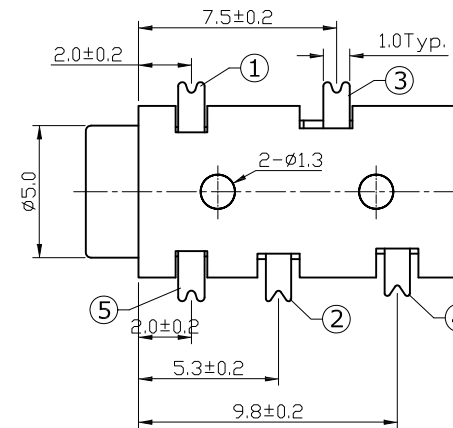
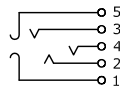
Rating: DC 30V 0.5A
 Contact Resistance: 30m Ω Max.
 Insulation Resistance: 100M Ω Min.
 Withstanding Voltage: 500 VAC for 1min.
 Durability: 5,000 cycles Min.
 Insertion Force: 3~25N
 Withdrawal Force: 3~25N



**P.C.B LAYOUT
TOP VIEW**



SCHMATIC



6	HOUSING	1	PPA	
5	SPRING	1	PHOSPHOR BRONZE	GOLD
4	CONTACT FOOT	1	PHOSPHOR BRONZE	GOLD
3	SPRING	1	PHOSPHOR BRONZE	GOLD
2	CONTACT FOOT	1	PHOSPHOR BRONZE	GOLD
1	SPRING	1	PHOSPHOR BRONZE	GOLD

NO.	NAME	QTY	MATERIAL	NOTE
-----	------	-----	----------	------

	PART NO.	PJ-328A	DRAWN	Andrew
	DRAWING NO.	PJ-328A	CHECKED	Claudia
	DATE	2021/08/12	APPROVED	Brian

TITLE:	Ø3.5 Phone Jack	REV. A0	TOLERANCE	.X ±0.25 .XX ±0.20	SCALE	1:1	UNIT	mm	NO.	DESCRIPTION	DATE
--------	-----------------	---------	-----------	-----------------------	-------	-----	------	----	-----	-------------	------