

Tact Switch Series (12x12mm)

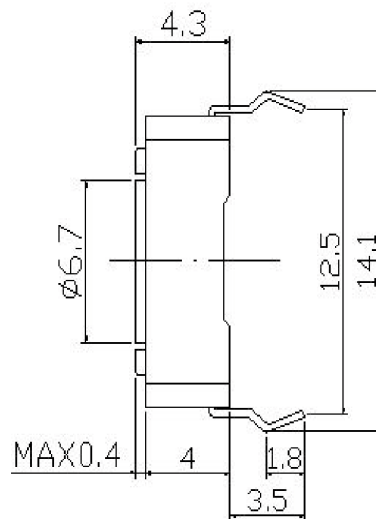
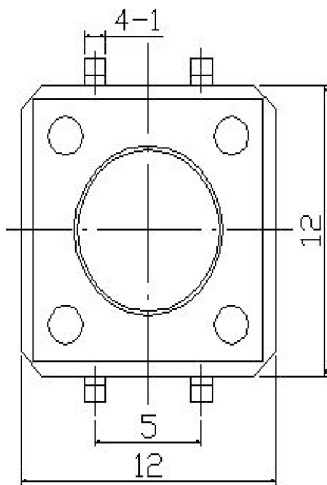
TS1201



Part Number

Model No.	High
TS2201H	4.3mm

Dimensions



P.C.B LAYOUT

