

# JBC C115126

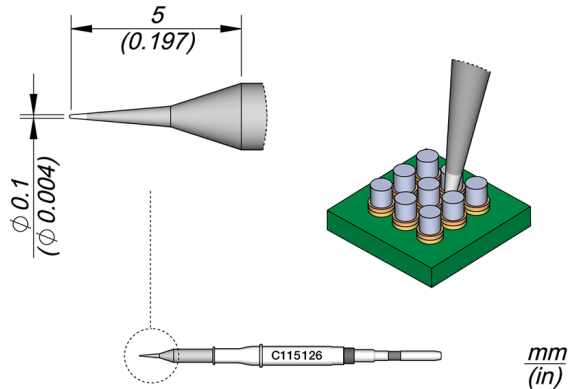
## Conical Cartridge Ø 0.1

# JBC



Product Application Map

News



**C115 cartridges** are appropriate for soldering and repairing **very small-sized** components at **high precision**, even under a microscope.

They work with NT115 Nano Handle and comply with the most demanding regulations.

JBC Long Life Tips offer instant heat up, excellent heat transfer and great durability.

They last 5 times longer than other brands thanks to the JBC Most Efficient Soldering System and the Sleep & Hibernation features.

### REFERENCE

C115126

### SPECIFICATIONS

Net weight 0,001 kg (0.001lb)

#### WEIGHT AND DIMENSIONS

Package 106 x 45 x 12 mm / 0.01 kg.  
4.17 x 1.77 x 0.47 in / 0.01 lb

Copyright © 2022 JBC Soldering S.L. | [Legal Notice](#) | [Privacy Policy](#) | [Terms and Conditions](#) | [Cookie policy](#) | [RSS Feed](#) | [JBC Store](#) | [Contact Us](#)

## CONNECTABLES

### Compatible tools



NT115-A

Nano Handle

### Accessories



DC115-A

C115 Cartridge Case