

Circum

Control panel mounting enclosure



C 1735 F-NG-7024

Order no.: 93173525

* = Available on request.

Characteristics

Colour of enclosure group

Graphite grey, similar to RAL 7024

Protection class

IP 40

Enclosure Material

ABS; for details see Technical Information

Scope of delivery

Lid, control panel mounting base, 2 cover panels, 4 screws

Note

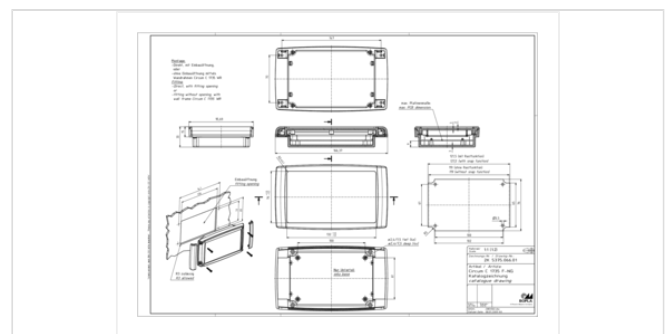
4.3"

Dimensions

Dimensions

166.4 x 95.7 x 15 mm

Product drawing



Technical documentation / Downloads

Technical drawings

3D product data in STEP format: 93173525 Circum-C-1735-F-NG-7024.stp (2.6 MB)

Drawing for mechanical processing: 93173525 C-1735-F-NG-7024-G.dxf (1.6 MB)

Milling contours are shown here as a DXF file. (Sub D, USB, HDMI, cable glands, ...)

Product drawing in PDF format: 93173525 C-1735-F-NG-7024.pdf (266.9 KB)

Product drawing in DXF format: 93173525 C-1735-F-NG-7024.dxf (5.7 MB)

Product information

circum en.pdf (801.8 KB)

20.10.2022

Important!

To compensate for pressure when temperatures change and cause moisture in the enclosure, we recommend that you use a pressure compensation element.

» Additional information

Matching accessories



Wall frame for C 1735 F-NG

93173526 C 1735 WR-7024

Graphite grey



Cover panels

93170040* C 1700 BL-3000

For C 17..

Flame red

93170050* C 1700 BL-5014

For C 17..

Dove blue

93170010* C 1700 BL-7038

For C 17..

Agate grey

93170020* C 1700 BL-7024

For C 17..

Graphite grey