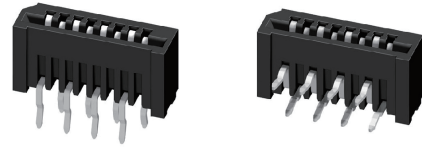
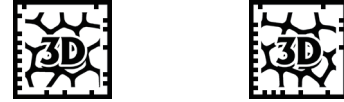


**CF12 Series 1.25mm(.049")H=4.00/6.80 DIP LIF FFC/FPC Connectors**

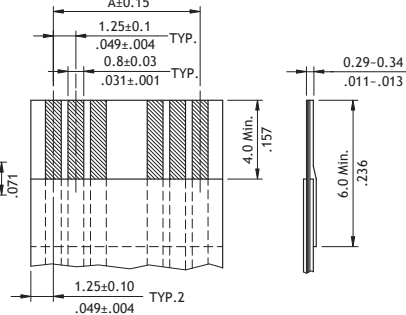
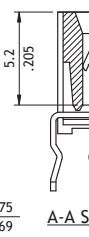
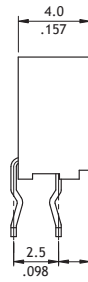
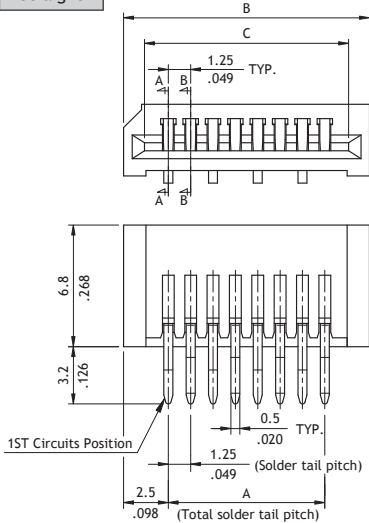
- ⊙ Tin plated contacts with kinked tail
- ⊙ Insulator: High temperature plastic UL 94V-0, Color Black



RoHS Compliant

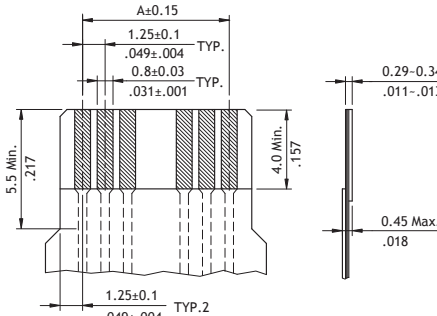
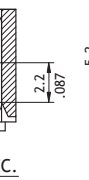
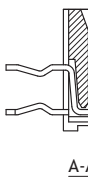
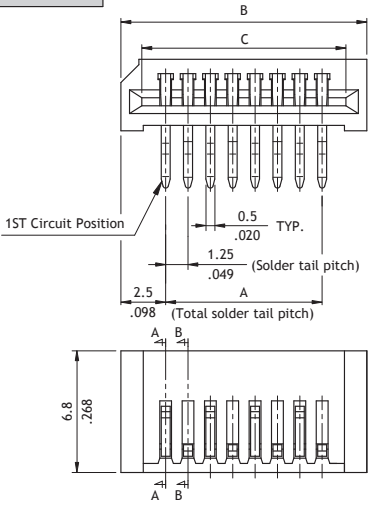


**Straight**

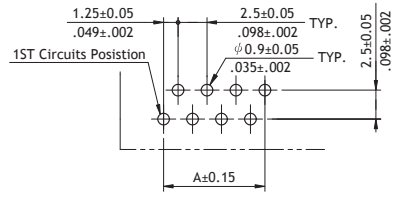


**Accommodated FFC**

**Right Angle**



**Accommodated FFC**



**Recommended PCB Layout**

**Ordering Code**

①	②	③	④	⑤	⑥	⑦
CF	12	36	1	V0	T	0
					-	NH

- ① Series No.
- ② No. of Circuits: 03 to 36
- ③ Plating Code:  
1 = Matte Tin over Nickel
- ④ Entry Options:  
V0 = Straight  
H0 = Right Angle
- ⑤ Packing:  
T = Tube
- ⑥ Other Options:  
0 = Standard  
\*Special options consult manufacturer
- ⑦ Process: -LF = For Lead Free soldering process