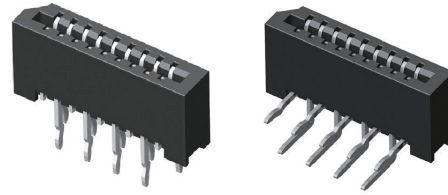


CF09 Series 1.00mm(.039")H=2.60/5.50 DIP LIF FFC/FPC Connectors

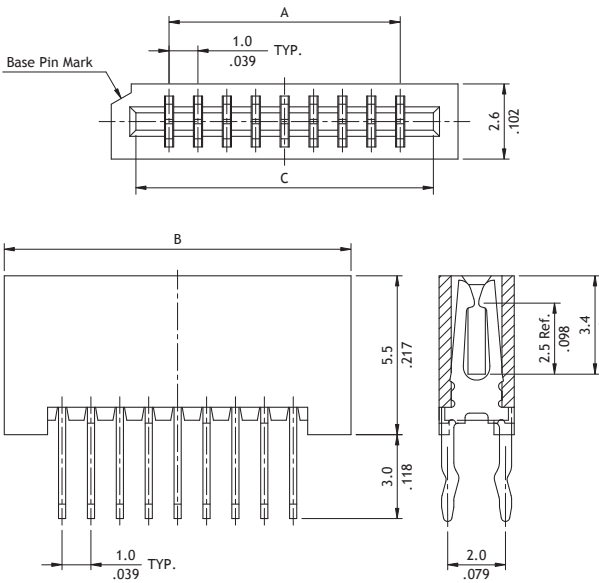
- ⊙ Tin over copper alloy dual contacts
- ⊙ Insulator: High temperature plastic UL 94V-0
- ⊙ Low Insertion Force



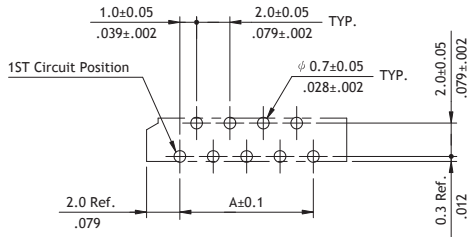
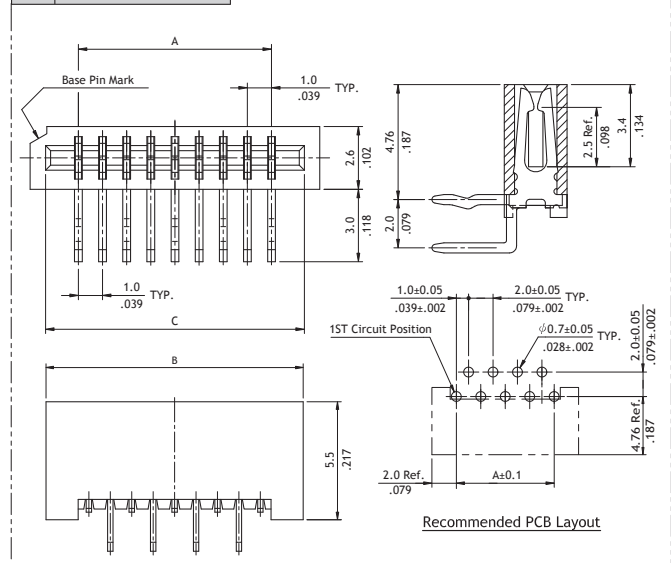
RoHS Compliant

P/N CF09**1V200-LF

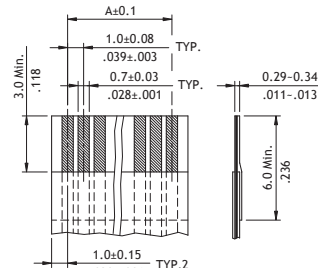
A = 1.0 * No. of Spaces
 B = A + 4.0
 C = A + 2.1



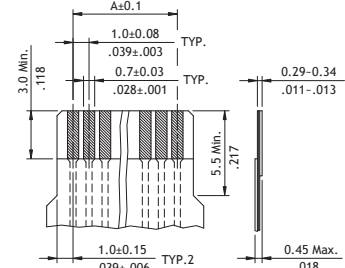
P/N CF09**1H200-LF



Recommended PCB Layout



Accommodated FFC



Accommodated FPC

Ordering Code

① CF09 ② 32 ③ 1 ④ H ⑤ 2 ⑥ 00 - ⑦ NH

- ① Series No.
- ② No. of Circuits: 04 to 32
- ③ Plating Code:
1 = Matte Tin over Nickel

- ④ Contact Style:
V = Top Entry
H = Side Entry
- ⑤ Color: 1 = Black (NH)
2 = Brown (LF)

- ⑥ Other Options: 00 = Standard
*Special options consult manufacturer
- ⑦ Process: -LF = For Lead Free soldering process
-NH = For Lead Free IR process and Halogen-Free