

5 Watt Encapsulated AC-DC Converter



- Switching Power Modules for PCB Mounting
- Low Standby Power
- Fully Encapsulated Plastic Case
- Universal Input Range 90...260VAC, 47...440 Hz
- Regulated Output
- Low Ripple and Noise
- High Efficiency
- CE, cUL Approvals
- 2-Year Product Warranty

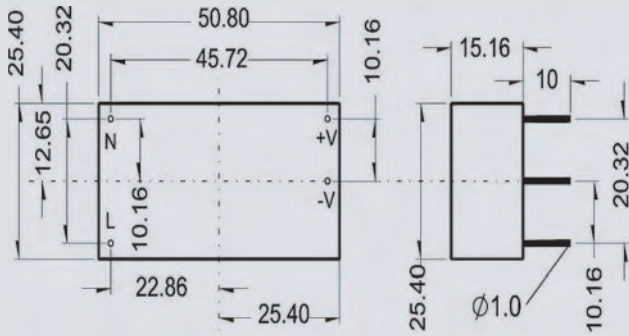


ELECTRICAL SPECIFICATIONS

Model No.	AMEL05-3.3S	AMEL05-5S	AMEL05-12S	AMEL05-15S	AMEL05-24S
Max output wattage (W)	4W	5W	5W	5W	5.5W
Input	Voltage				
	90...260 VAC or 120...370 VDC				
	Frequency (Hz)				
	47...440 Hz				
	Current (Fullload)				
	110 mA max. (115 VAC) / 70 mA max. (230 VAC)				
Inrush current (<2ms)					
10 A max. (115 VAC) / 20 A max. (230 VAC)					
Leakage Current					
0.75 mA max.					
External fuse (recommend)					
1.5 A slow blow type					
Output	Voltage (VDC)				
	3.3V	5V	12V	15V	24V
	Voltage accuracy				
	±2%				
	Current (mA) max				
	1250	1000	420	333	230
	Line regulation				
	±0.3% max.				
	Load regulation (5-100%)				
	±0.5% max.				
	Minimum load				
	0%				
Maximum capacitive load					
470-23,000µF depending on model					
Ripple & Noise					
<0.5% Vout +50mV max (Vp-p)					
Efficiency					
65%	73%	75%	77%	78%	
Hold-up time					
15 ms min.					
Switching frequency					
125 kHz					
Protection	Over current protection				
	Hiccup technique, auto-recovery				
	Over voltage protection				
Zener diode clamp					
Short circuit protection					
Hiccup mode, indefinite (automatic recovery)					
Isolation	Input-Output (VAC)				
3000V					
Environment	Operating temperature				
	-25°C...+71°C				
	Storage temperature				
	-40°C...+85°C				
	Temperature coefficient				
0.02%/°C					
Humidity					
95% RH					
MTBF					
>340,000 h @ 25°C (MIL-HDBK-217F)					
Physical	Dimension (L x W x H)				
	2.0 x 1.0 x 0.597 Inches (50.8 x 25.4 x 15.16 mm)				
	Case Material				
	Plastic resin + Fiberglass (flammability to UL 94V-0)				
Weight					
30 g					
Cooling method					
Free air convection					
Safety	Agency approvals				
cUL, CE					
EMC	EMI (Conducted Emission)				
	EN 55022				
EMS (Radiated Emission)					
EN 55022					

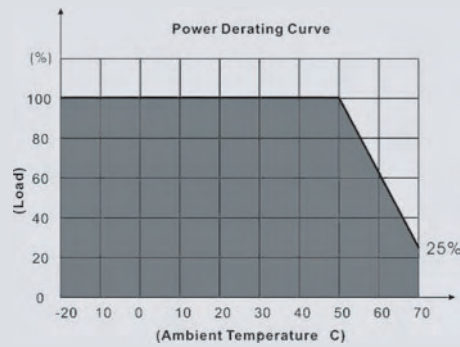
All specifications valid at nominal input voltage, full load and +25°C after warm-up time unless otherwise stated.

MECHANICAL DIMENSION (Top View)



PIN#	SINGLE
N	AC IN
L	AC IN
+V	+DC OUT
-V	-DC OUT

DERATING



BLOCK DIAGRAM

Single Output

