

"Intelligent designs for high productivity"

6 MODULE ENCLOSURE LOW PROFILE FOR M36 DIN-RAIL LIGHT LOW

SERIES M6

TECHNICAL DATA:

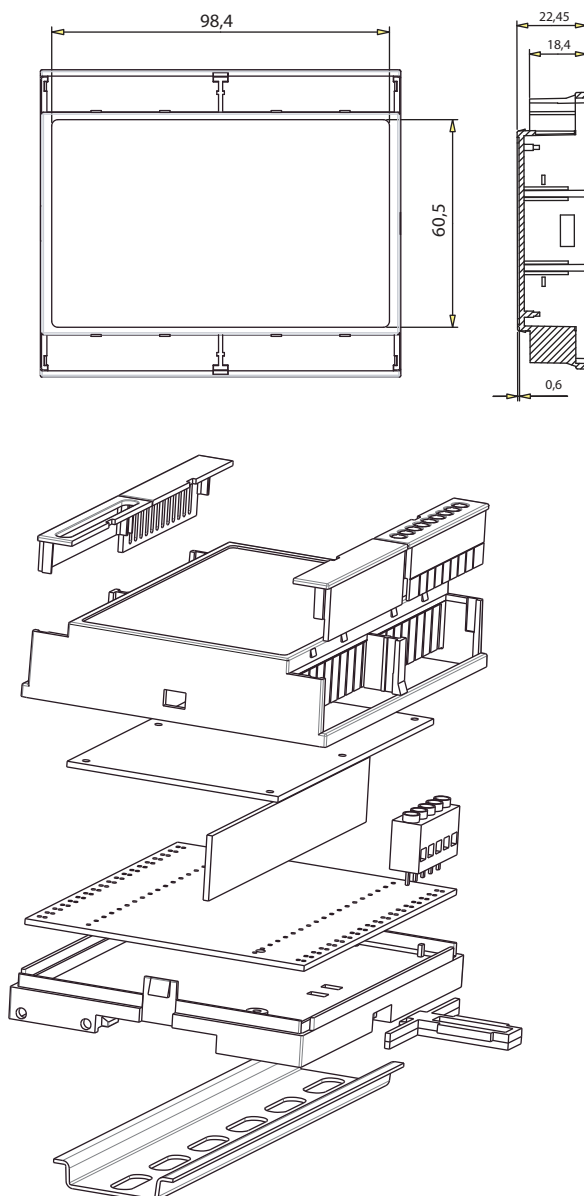
TOP PART:

Material: Lexan 940
 Colour: Grey (RAL 7035) other on request
 Max.temperature: 100° C
 Width: 105 mm
 (6 modules)
 Label area 98,2 x 60,3

BASE PART:

Material: Noryl VO 1550
 Colour: Black (RAL 9005) other on request
 Max.temperature 100° C
 Terminals: Up to 36 fixed or
 (2x6) plugable
 Mounting: DIN-rail (EN50022)

Many different covers available



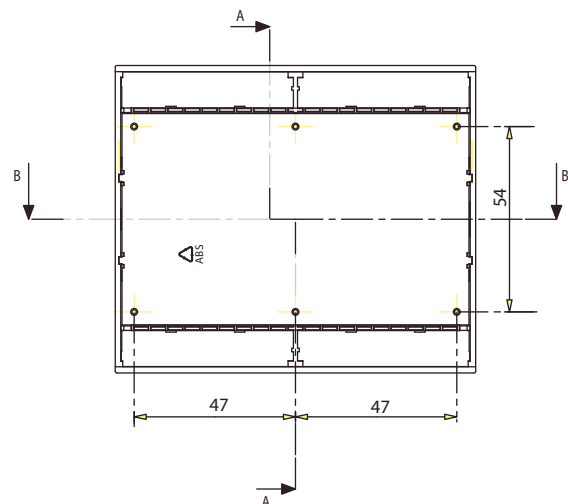
Light Low profile 6 modules enclosure.

With the optional terminal covers you can have a simple and low cost two pcs enclosure or you can use the optional covers to enable you the flexibility to build your customized DIN-rail enclosures.

The possibility of mixing covers with different openings for connectors gives not only very wide options of connections, but also a very good price.

Due to designed covers it is possible to add different and individual features to the design. Interconnections in form of pin headers and distance pcs/spacers from board level to board level are available.

Options: Printed numbers and symbols on the cover and colour coded covers. Series M6 is, if requested, available with customer specified holes in front. Prototype PCB, customized label and packing are available.



| Description Type M6 Light Low | Partnumber |
|--|----------------|
| Top part | p/n 7069006101 |
| Plugable terminal 9 way, horizontal | p/n 3955606780 |
| Plugable terminal 9 way, horizontal | p/n 3955706380 |
| Fixed terminal 9 way | p/n 3950146108 |
| Cover ventilated | p/n 8845350401 |
| Cover closed | p/n 8845525101 |
| Lower Cover, knock out | p/n 8845525501 |
| Base part type M6 with clip + 2 screws | p/n 4969021051 |
| Low cover with oval hole | p/n 8845525601 |
| Kompleat M6 (top+base) | p/n 6169106101 |