

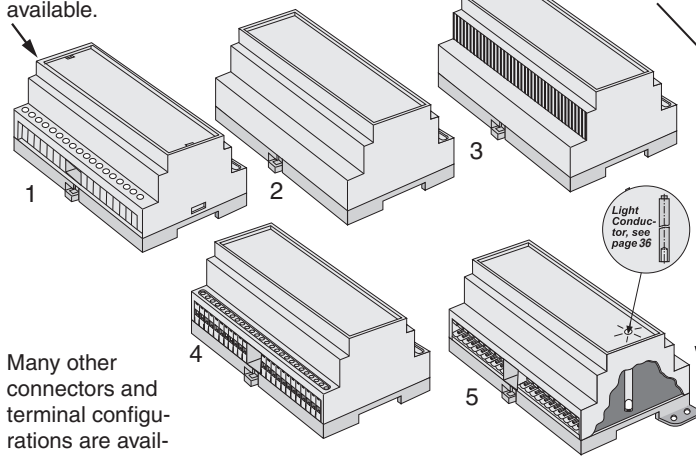
12 MODULE ENCLOSURES FOR M36 DIN-RAIL

**SERIES
2100**

Version with knock out blanks for individual configuration available.

Possibility for ventilation

Wall mounting feet available.



Many other connectors and terminal configurations are available upon request.

Options:

- open version for bigger terminals,
- no terminal numbers.
- red, grey or infra-red lid.
- click in frontpanel.
- hinged lid.
- not all versions are available for all sizes.

Module enclosure for M36 DIN-rail. Series 2100 is, if requested, available in several colours and with custom made holes in the front.

Lid, PCB, customized label and packing is available. Possibility for both base and top PCB. A closed version without terminals is also available.

Trimmers and spindles that fit the height of the box are available.

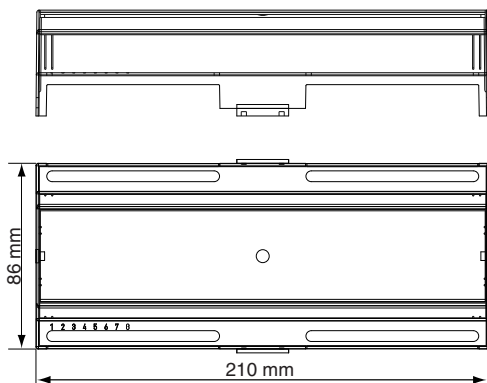
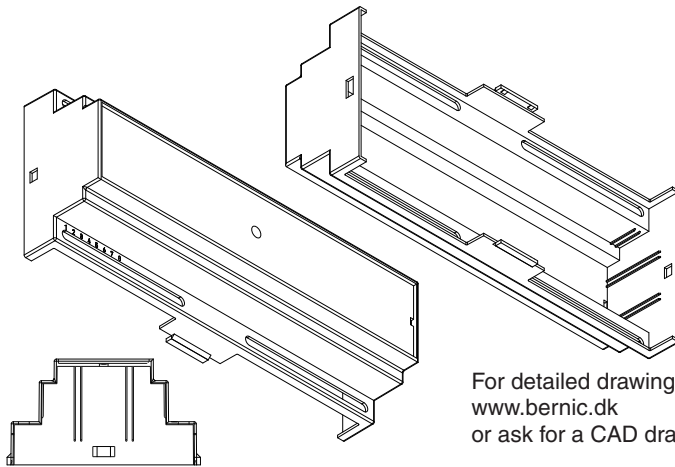
TECHNICAL DATA:

TOP PART:

Material: Lexan 940
 Colour: Grey (RAL 7035)
 Max. temperature: 100°C
 Width: 210 mm
 (12 modules)
 Label measurement: 41.9 x 205.9 mm
 Self-extinguishing: Acc. to UL94-V0
 IP Protection: IP 20

BASE PART:

Material: Noryl VO 1550
 Colour: Black (RAL 9005)
 Max. temperature: 100°C
 Max. wire dia.: 2 x 2.5 mm²
 Max. load: 10A (for higher load please enquire)
 Terminals: 74 fixed or plugable
 Mounting: DIN-rail (EN50022)
 Self-extinguishing: Acc. to UL94-V0



TYPE 2100:	ORDER CODE
Complete, 257 for plugable	p/n 4969012101
Complete, 605 for fixed terminals	p/n 4969012102
Complete, closed, no terminals	p/n 4969012100
Top part, grey, 605/250, fixed terminals	p/n 4969002102
Top part, grey, 257, plugable	p/n 4969002101
Top part, grey, closed, no terminals	p/n 4969002100
Base part with clip and 2 screws	p/n 8842210201
DIN-rail for 2100	p/n 0669000604
Transparent lid for 2100	p/n 4969001210
Packing for 2100	p/n 2068210000
Raw PCB for 2100	p/n 4999210003
Screw/self tapping 2 pcs.	p/n 7005102965

Many more p/n available - please enquire.

● All measurements are in mm

●● Please note that most plugable terminals are in 5,08 pitch and need a bigger hole in the PCB