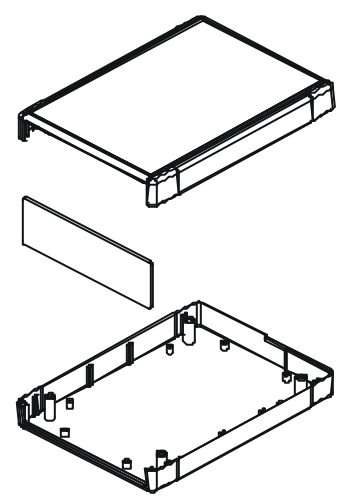


Panel
Insert Area
118 x 30 mm

Bottom Cover
Insert Area
173 x 117 mm



Bernic A/S	Type 3185 Drawing