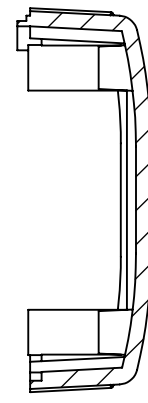
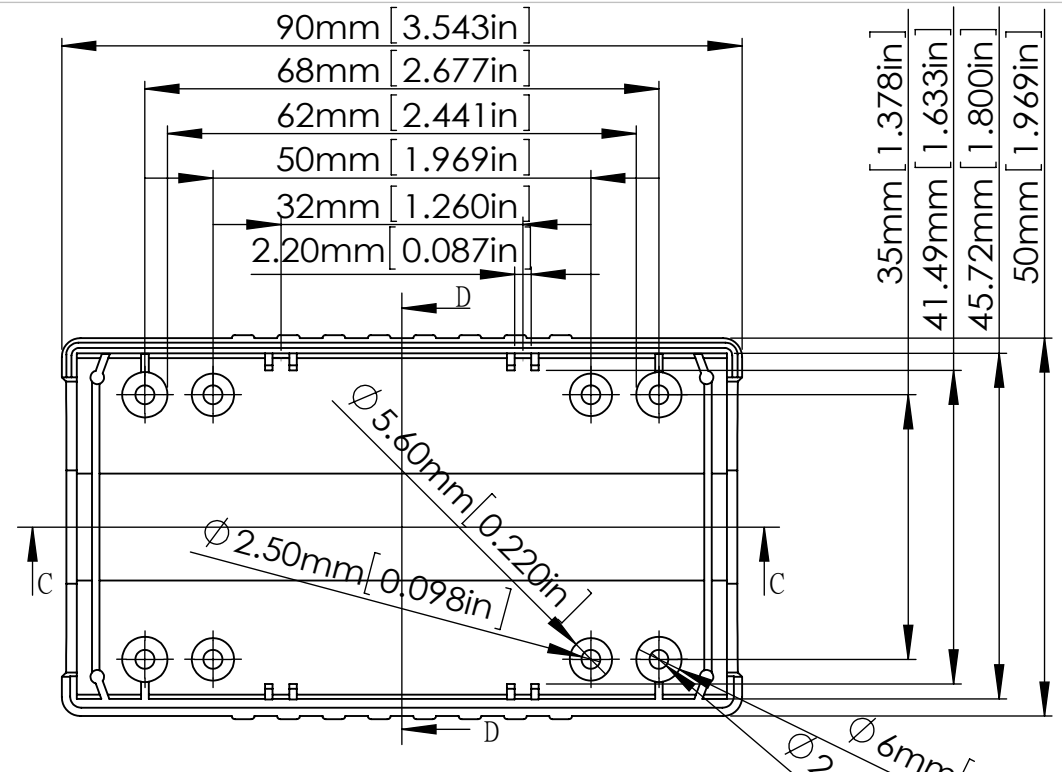
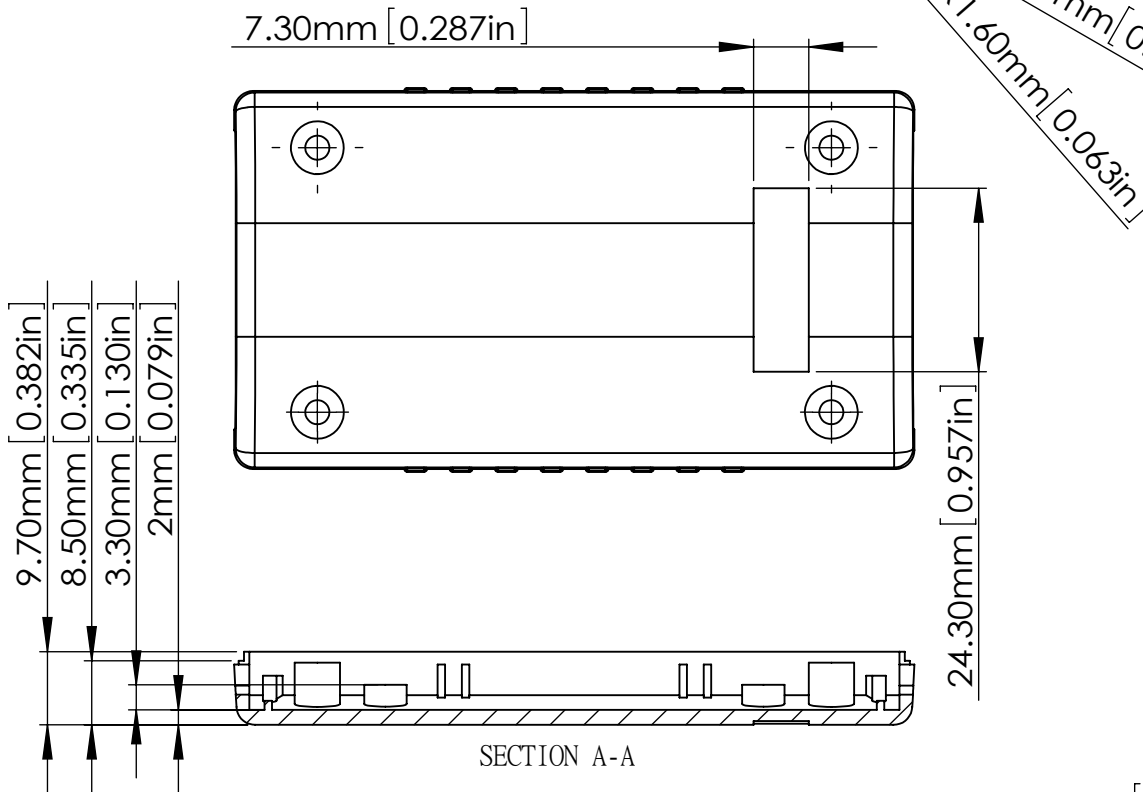


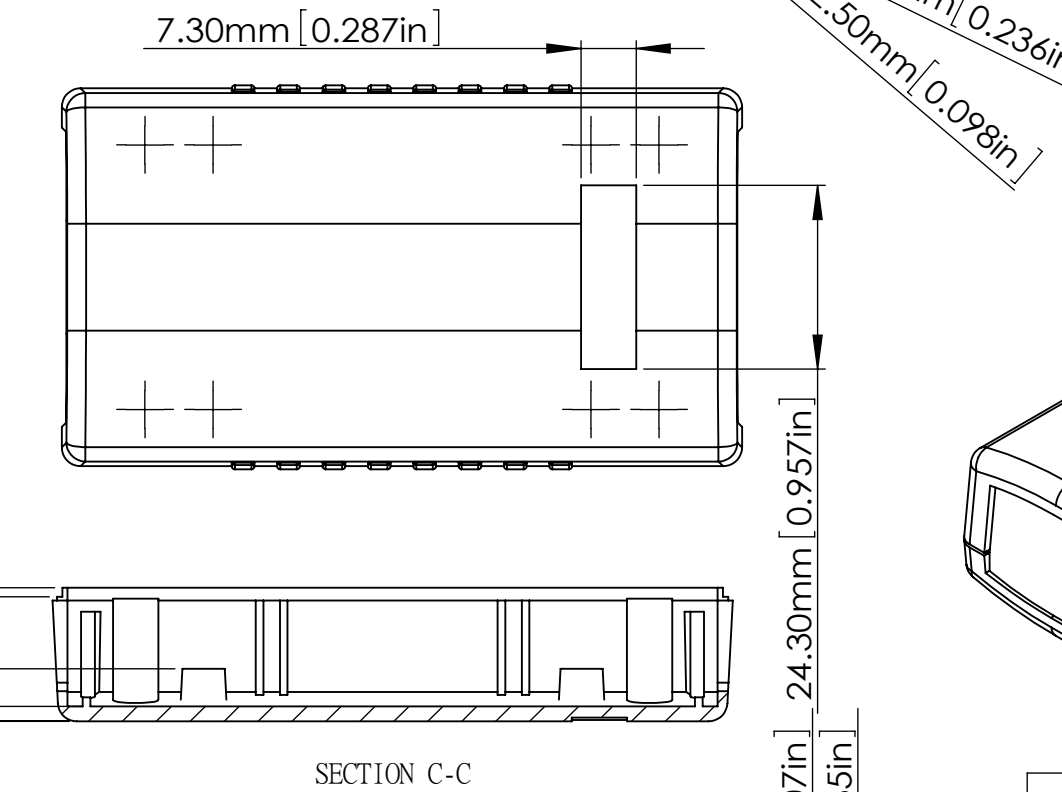
SECTION B-B



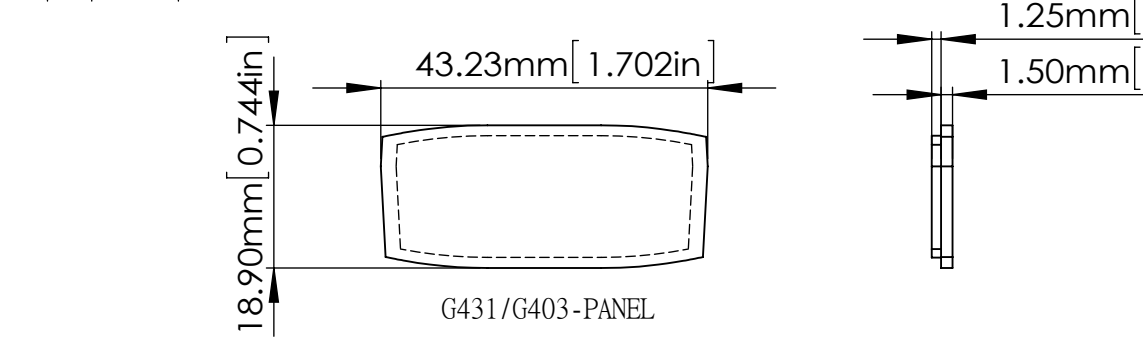
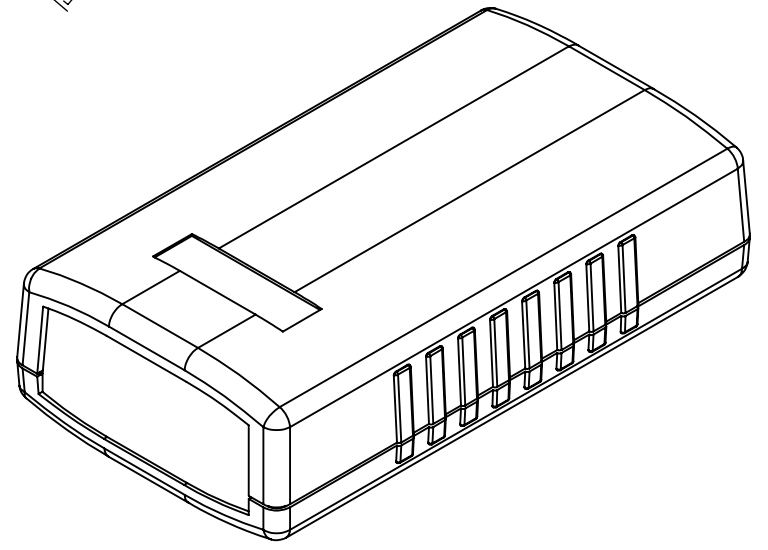
SECTION D-D



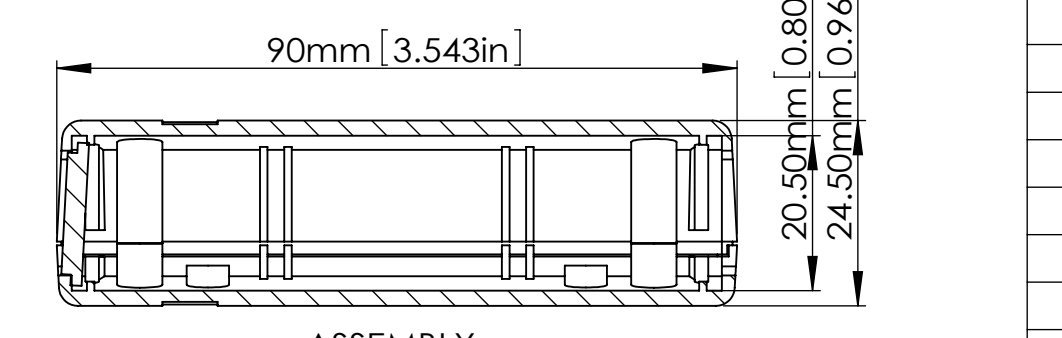
SECTION A-A



SECTION C-C



G431/G403-PANEL



ASSEMBLY

According to ISO 2768-m	
Measuring DIM=L	Tolerances
0.5<L<=3.0mm	±0.1mm
3.0<L<=6.0 mm	±0.1mm
6.0<L<=30.0 mm	±0.2mm
30.0<L<=120.0 mm	±0.3mm
120.0<L<=400.0 mm	±0.5mm
400.0<L<=1000.0 mm	±0.8mm

宣又實業有限公司 GAINTA INDUSTRIES LTD.	繪圖	DRA'D BY	日期	DATE	材質	MATE.	圖名TITLE:	圖號DWG NO:	版次REVISID:
		JACKY	2020/04/06		ABS		G431 G403		C

STOCK NO.	MATERIAL	BASE/COVER-COLOR	PANEL-COLOR
G431	ABS	LIGHT GRAY(RAL7035)	DARK GRAY(RAL7000)
G403	ABS UL94-V0	DARK GRAY(RAL7000)	LIGHT GRAY(RAL7035)

宣又實業有限公司
GAINTA INDUSTRIES LTD.

繪圖 DRA'D BY
JACKY

日期 DATE
2020/04/06

材質 MATE.
ABS

圖名TITLE:
G431 G403

圖號DWG NO:

版次REVISID:

C