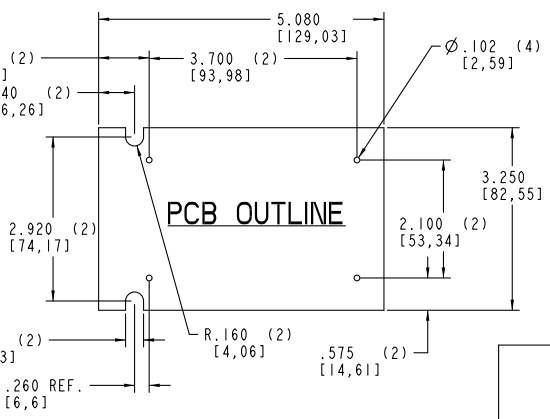
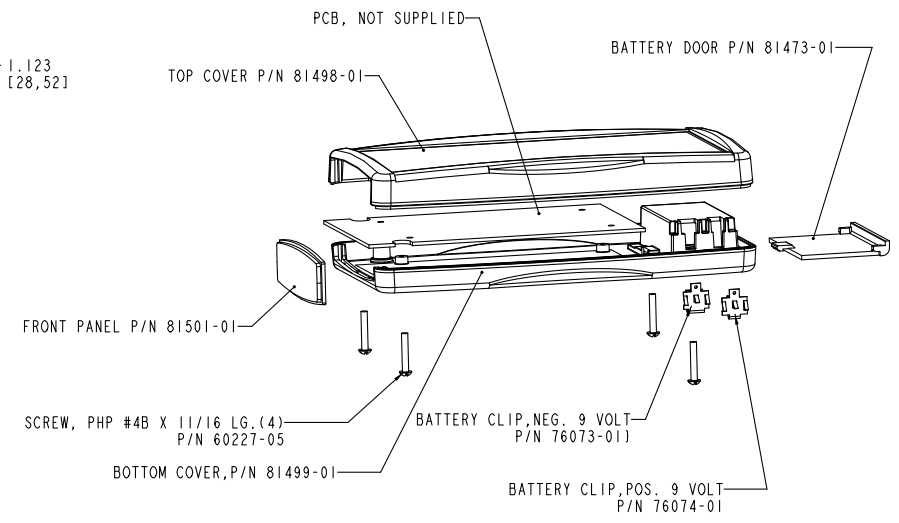


SECTION A-A

BATTERY DOOR



SUGGESTED PCB MTG. SCREW
 PHP #2B X 1/4 LG.
 WITH #2 PLASTIC WASHER

PACNTEC®
 1-610-361-4200

XPL-9VB

VISIT **PACNTEC®**
 ON THE WORLD WIDE WEB
www.pactecenclosures.com

COLOR / MATERIAL CODE		
COLOR	94HB	94VO
BLACK	000	028
P. C. BONE	039	060

DRAWING NUMBER	REV
81541	A