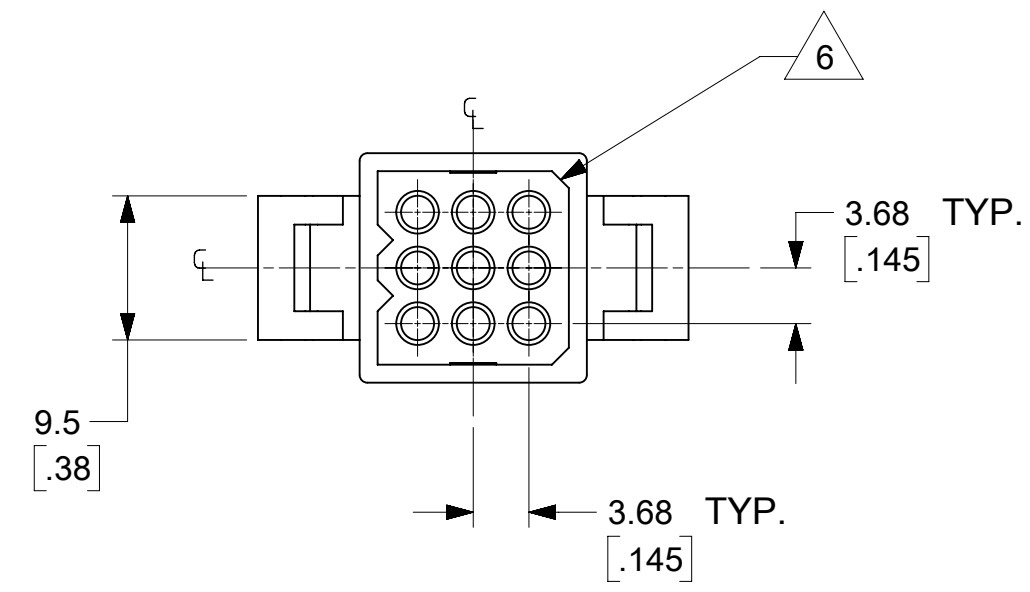
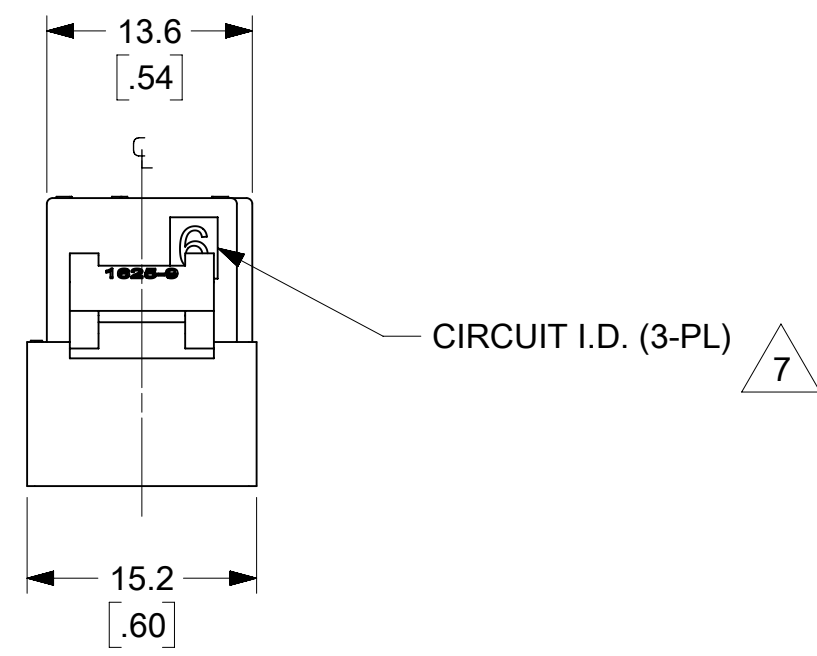
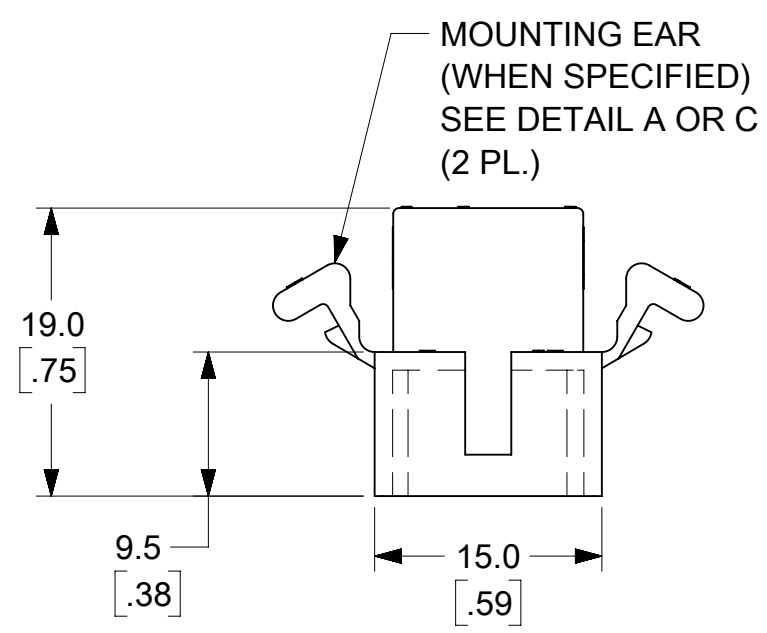
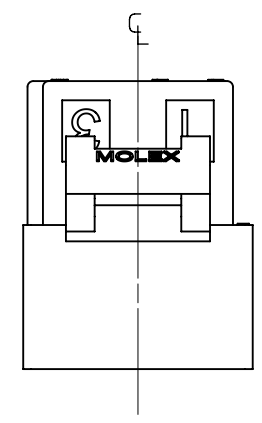
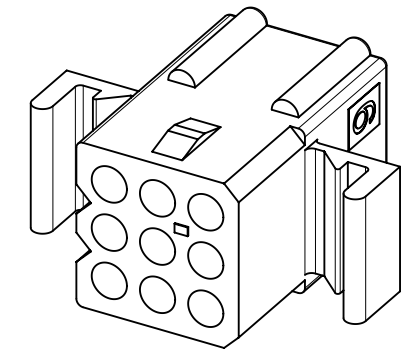
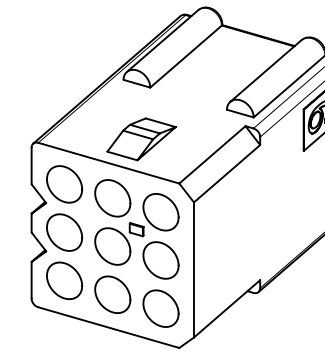
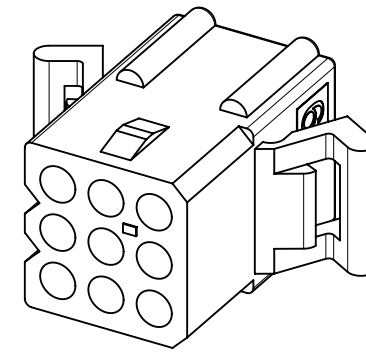
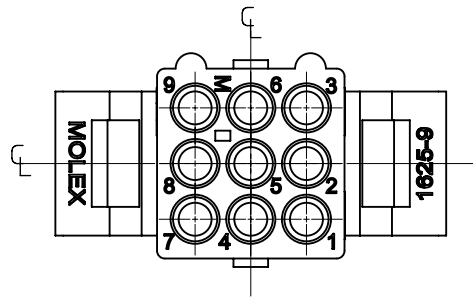


PREBENT MOUNTING EARS NO MOUNTING EARS



**PLUG**

<b>QUALITY SYMBOLS</b> 	THIS DRAWING CONTAINS INFORMATION THAT IS PROPRIETARY TO MOLEX ELECTRONIC TECHNOLOGIES, LLC AND SHOULD NOT BE USED WITHOUT WRITTEN PERMISSION											
	CHG TO GEN MRKT EC NO: 122809 DRWN: AZAHIROVIC CHK'D: MKIPPER REV APPR: FSMITH	2017/10/02	2017/10/02	2017/10/13	GENERAL TOLERANCES (UNLESS SPECIFIED)		DIMENSION UNITS	SCALE				
					MM	INCH	MM/IN	2:1				
					4 PLACES	±	±	DRWN BY	DATE	.062 9CKT PLUG AND RECEPTACLE HOUSING		
					3 PLACES	±	± 0.01	ZHARPER	2017/07/14			
					2 PLACES	± 0.25	± 0.014	CHK'D BY	DATE			
				1 PLACES	± 0.36	±	MKIPPER	2017/07/24	PRODUCT CUSTOMER DRAWING			
				0 PLACES	±	±	APPR BY	DATE				
							FSMITH	2017/07/31	SERIES	MATERIAL NUMBER	CUSTOMER	
							ANGULAR TOL ± 0.5	DRAWING SIZE	THIRD ANGLE PROJECTION	1625	SEE CHART	
						DRAFT WHERE APPLICABLE MUST REMAIN WITHIN DIMENSIONS	<b>B</b>		DOCUMENT NUMBER	DOC TYPE	DOC PART	SHEET NUMBER
									16250900-SD	PSD	000	1 OF 3

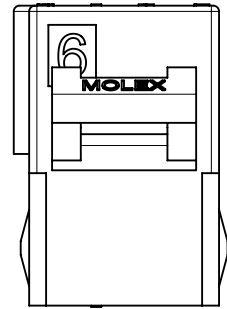


PREBENT MOUNTING EARS

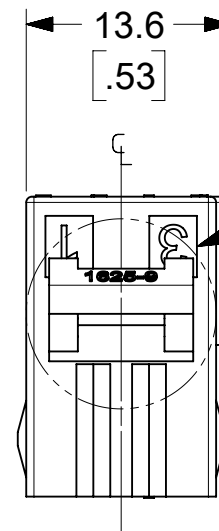
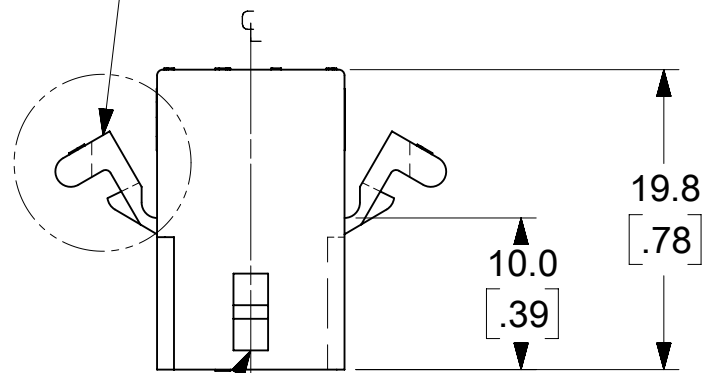
NO MOUNTING EARS

STANDARD MOUNTING EARS

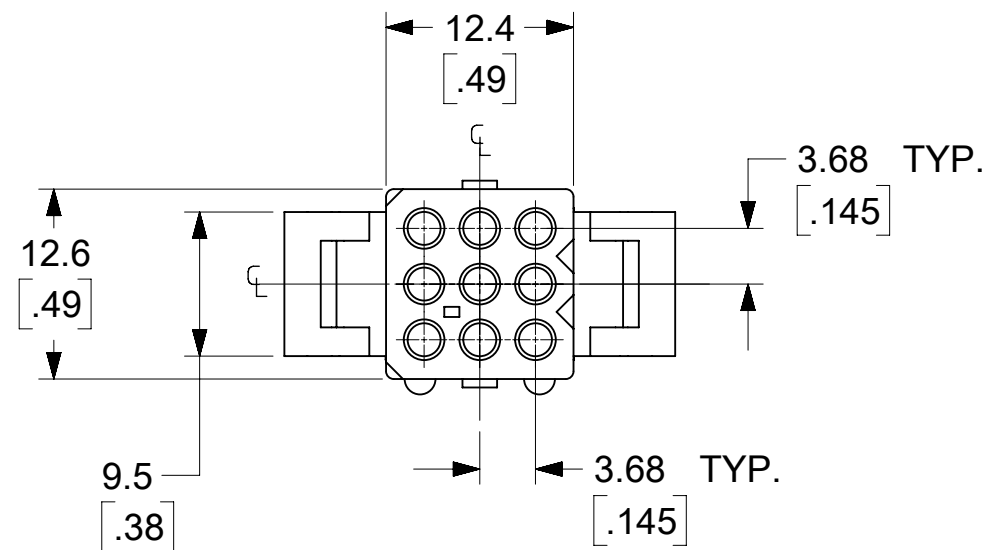
OPTIONAL MOUNTING EARS  
(2 PL.)  
SEE DETAIL A OR C  
FOR VERSIONS AVAILABLE



PASSIVE LOCK



CIRCUIT I.D. (3-PL)



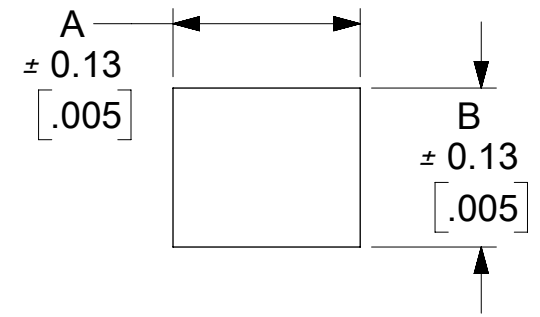
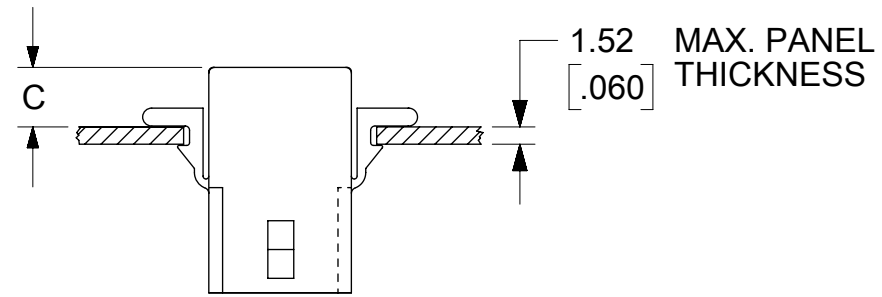
RECEPTACLE

<b>QUALITY SYMBOLS</b> 	THIS DRAWING CONTAINS INFORMATION THAT IS PROPRIETARY TO MOLEX ELECTRONIC TECHNOLOGIES, LLC AND SHOULD NOT BE USED WITHOUT WRITTEN PERMISSION											
	CHG TO GEN MRKT EC NO: 122809 DRWN: AZAHIROVIC CHK'D: MKIPPER REV APPR: FSMITH	2017/10/02	2017/10/02	2017/10/13	GENERAL TOLERANCES (UNLESS SPECIFIED)		DIMENSION UNITS	SCALE				
					MM	INCH	MM/IN	2:1				
					4 PLACES	±	±	DRWN BY	DATE	.062 9CKT PLUG AND RECEPTACLE HOUSING		
					3 PLACES	±	± 0.01	ZHARPER	2017/07/14			
					2 PLACES	± 0.25	± 0.014	CHK'D BY	DATE			
				1 PLACES	± 0.36	±	MKIPPER	2017/07/24	PRODUCT CUSTOMER DRAWING			
				0 PLACES	±	±	APP'R BY	DATE				
							FSMITH	2017/07/31	SERIES	MATERIAL NUMBER	CUSTOMER	
							ANGULAR TOL ± 0.5		DRAWING SIZE	THIRD ANGLE PROJECTION		
						DRAFT WHERE APPLICABLE MUST REMAIN WITHIN DIMENSIONS		B		1625	SEE CHART	
								DOCUMENT NUMBER		DOC TYPE	DOC PART	SHEET NUMBER
								16250900-SD		PSD	000	2 OF 3

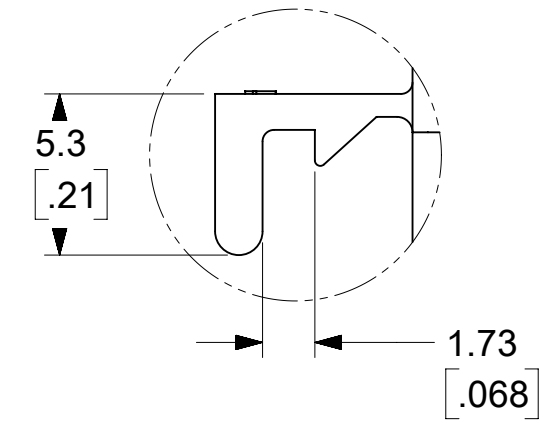
9 CIRCUIT PLUG				
PART NO.	ENG. NO.	EARS	MATERIAL	COLOR
03-06-2092	1625-9P1	NONE	A	NATURAL
46999-0717	1625-9P4	PREBENT	A	NATURAL

9 CIRCUIT RECEPTACLE				
PART NO.	ENG. NO.	EARS	MATERIAL	COLOR
03-06-1091	1625-9R	STANDARD	A	NATURAL
03-06-1092	1625-9R1	NONE	A	NATURAL
50-36-1871	1625-9R4	PREBENT	A	NATURAL

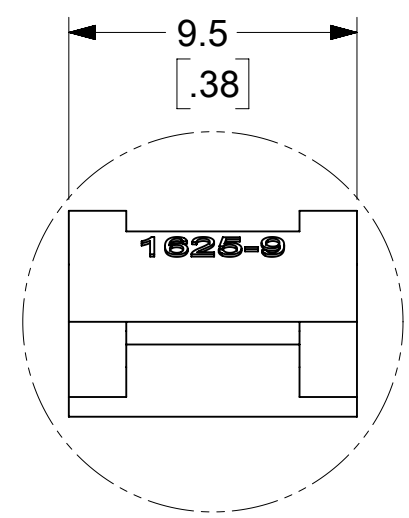
RECEPTACLE	16.51 [.650]	14.02 [.552]	5.3 [.21]	5.6 [.22]
PLUG	19.10 [.752]	15.62 [.615]	5.1 [.20]	5.3 [.21]
PART	DIM. A	DIM. B	DIM. C STANDARD EAR	DIM. C PREBENT EAR



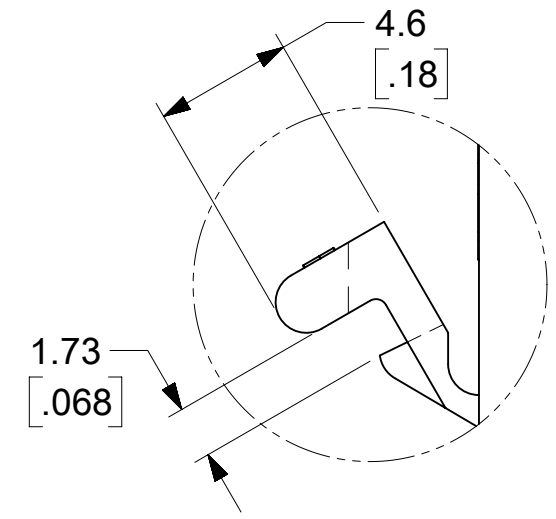
RECOMMENDED HOLE PATTERN



DETAIL C  
STANDARD MOUNTING EAR  
SCALE 4:1



DETAIL B  
PREBENT MOUNTING EAR  
SCALE 4:1



DETAIL A  
PREBENT MOUNTING EAR  
SCALE 4:1

- NOTES:
1. MATERIAL CODES:  
A-NYLON TYPE 6/6, 94V-2
  2. FINISH: NONE
  3. PRODUCT SPECIFICATION: PS-02-06
  4. PACKAGING SPECIFICATION: PK-1625-003
  5. HOUSINGS FOR USE WITH MOLEX .062 DIAMETER TERMINALS.
  6. SOME PARTS MAY HAVE THIS CORNER CHAMFERED.
  7. ETCHED CIRCUIT I.D. NUMBERS ON HOUSING MAY OR MAY NOT BE PRESENT.
  8. PARTS CONFORM TO CLASS B REQUIREMENTS OF COSMETIC SPECIFICATION PS-45499-002.
  9. THIS DRAWING REPLACES SD-1625-9\*

QUALITY SYMBOLS 	THIS DRAWING CONTAINS INFORMATION THAT IS PROPRIETARY TO MOLEX ELECTRONIC TECHNOLOGIES, LLC AND SHOULD NOT BE USED WITHOUT WRITTEN PERMISSION																								
	CHG TO GEN MRKT EC NO: 122809 DRWN: AZAHIROVIC CHK'D: MKIPPER REV APPR: FSMITH	2017/10/02 2017/10/02 2017/10/13		GENERAL TOLERANCES (UNLESS SPECIFIED)		DIMENSION UNITS MM/IN		SCALE 2:1																	
		<table border="1"> <thead> <tr> <th></th> <th>MM</th> <th>INCH</th> </tr> </thead> <tbody> <tr> <td>4 PLACES</td> <td>±</td> <td>±</td> </tr> <tr> <td>3 PLACES</td> <td>±</td> <td>± 0.01</td> </tr> <tr> <td>2 PLACES</td> <td>± 0.25</td> <td>± 0.014</td> </tr> <tr> <td>1 PLACES</td> <td>± 0.36</td> <td>±</td> </tr> <tr> <td>0 PLACES</td> <td>±</td> <td>±</td> </tr> </tbody> </table>			MM	INCH	4 PLACES	±	±			3 PLACES	±	± 0.01	2 PLACES	± 0.25	± 0.014	1 PLACES	± 0.36	±	0 PLACES	±	±	DRWN BY ZHARPER	
			MM	INCH																					
4 PLACES	±	±																							
3 PLACES	±	± 0.01																							
2 PLACES	± 0.25	± 0.014																							
1 PLACES	± 0.36	±																							
0 PLACES	±	±																							
ANGULAR TOL ± 0.5		DRAFT WHERE APPLICABLE MUST REMAIN WITHIN DIMENSIONS		APPR BY FSMITH		DATE 2017/07/31		.062 9CKT PLUG AND RECEPTACLE HOUSING																	
DRAWING SIZE B		THIRD ANGLE PROJECTION		PRODUCT CUSTOMER DRAWING		SERIES 1625		MATERIAL NUMBER SEE CHART		CUSTOMER															
DOCUMENT NUMBER 16250900-SD		DOC TYPE PSD		DOC PART 000		SHEET NUMBER 3 OF 3																			