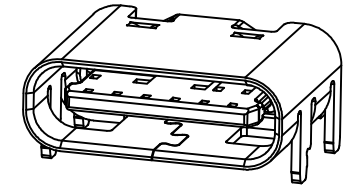
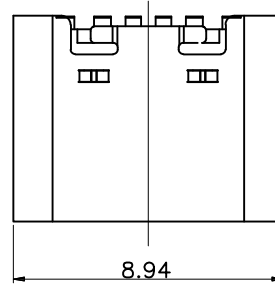


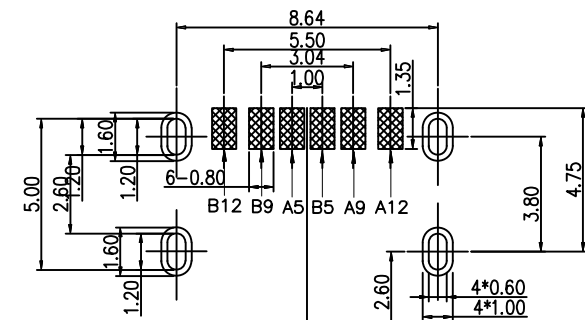
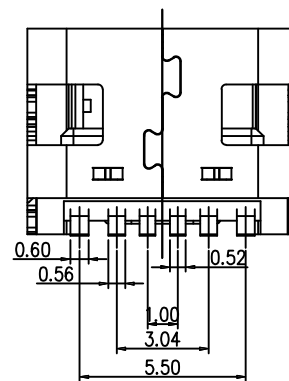
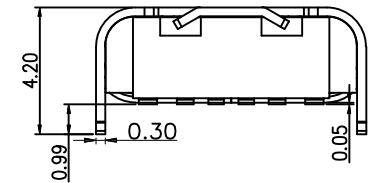
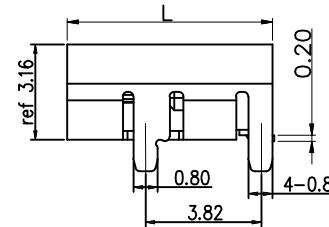
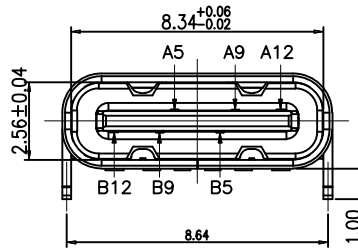
# SPECIFICATIONS

Current Rating: 3.0A  
 Voltage Rating: 5.0V AC Max  
 Contact Resistance: 40m Ω Max  
 Insulation Resistance: 100M Ω Min  
 Dielectric Withstanding Voltage: 100V AC for 1 minute  
 Insertion Force: 0.5~2.0kgf  
 Unmating Force: 0.8~2.0kgf  
 Durability: 5,000 Cycles  
 Temperature Range: -25°C~+85°C



P/N	L
USBCS0-F06RMA1	7.4mm
USBCS0-F06RMA2	6.8mm
USBCS0-F06RMA3	6.5mm

A5	CC1	B12	GND
A9	VBUS	B9	VBUS
A12	GND	B5	CC2
PIN	SIGNAL NAME	PIN	SIGNAL NAME

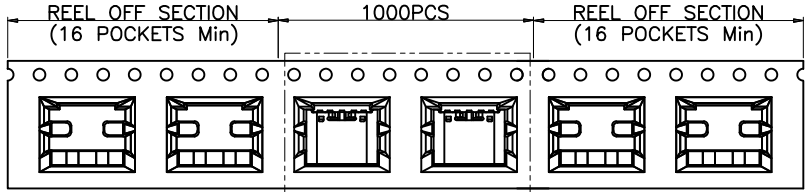


RECOMMENDED P.C.B. LAYOUT  
 TOLERANCE UNSPECIFIED ±0.05mm

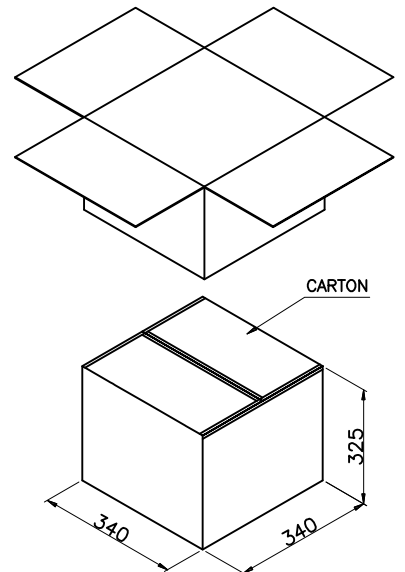
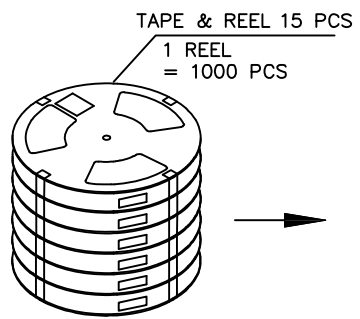
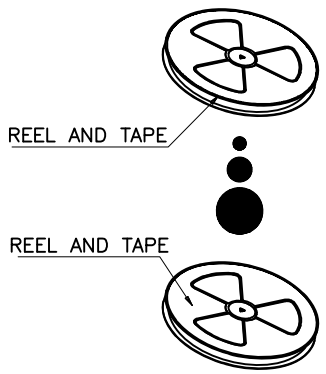
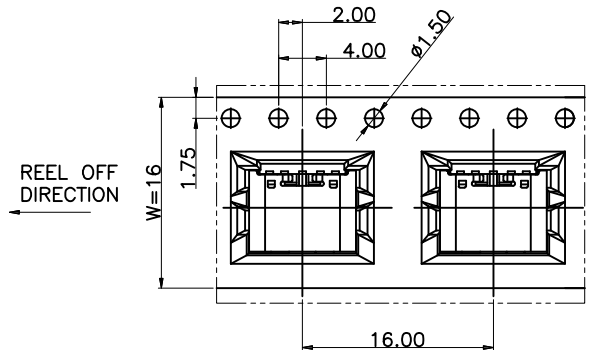
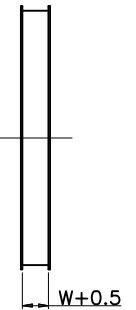
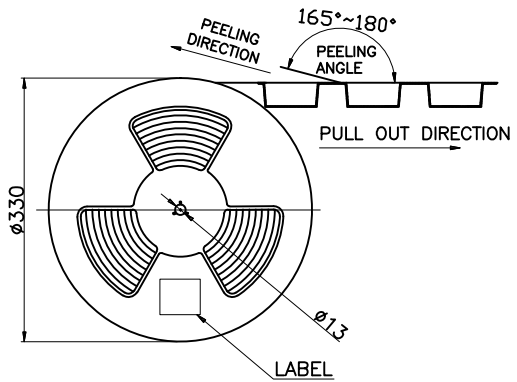
4	Mid plate	1	Stainless Steel	Ni Plated
3	Shell	1	Stainless Steel	Ni Plated
2	Contact	14	Copper Alloy	Gold plated
1	Housing	1	High-Temp. plastic	Black
NO.	DESCRIPTION	QTY	MATERIAL	REMARKS

PART NO.		USBCS0-F06RMAX		DRAWN		Andrew	
DRAWING NO.		USBCS0-F06RMAX		CHECKED		Claudia	
DATE		2022/01/20		APPROVED		Brian	

TITLE:	REV.	TOLERANCE	.X ±0.25	SCALE	1:1	UNIT	mm
USB TYPE-C type Female 6P SMT	A0	.XX ±0.20					



SEE DETAIL X



	REEL	CARTON
CONNECTOR (PCS)	1000	10000

		PART NO.	USBCS0-F06RMAX		DRAWN	Andrew	
		DRAWING NO.	USBCS0-F06RMAX		CHECKED	Claudia	
		DATE	2022/01/20		APPROVED	Brian	
TITLE:	REV.	TOLERANCE	.X ±0.25	SCALE	1:1	UNIT	mm
USB TYPE-C type Female 6P SMT	A0	.XX ±0.20					