

Engineering Change Notice

產品變更通知單

ECN No. 變更單號	ECN2200008	Issue Date 發行日期	2022/10/25
Product No. 產品料號	112I-TA01	Category 產品類別	Micro SD Socket

Purpose 設變目的	Adjust dimension tolerance 調整尺寸公差
Suggested Equivalent Parts 建議替代料	N/A 無
Difference 差異說明	See attached sheet 參閱附頁
Implement 導入方式	1. Immediately Change 立即導入 2. Running Change 消耗庫存導入 3. Next Lot 下批導入 4. Others 其他導入方式(請備註)
Technical Effect 技術變異	N/A 無

To each of ATTEND customers & partners,

致 立威科技股份有限公司的客戶及合作夥伴:

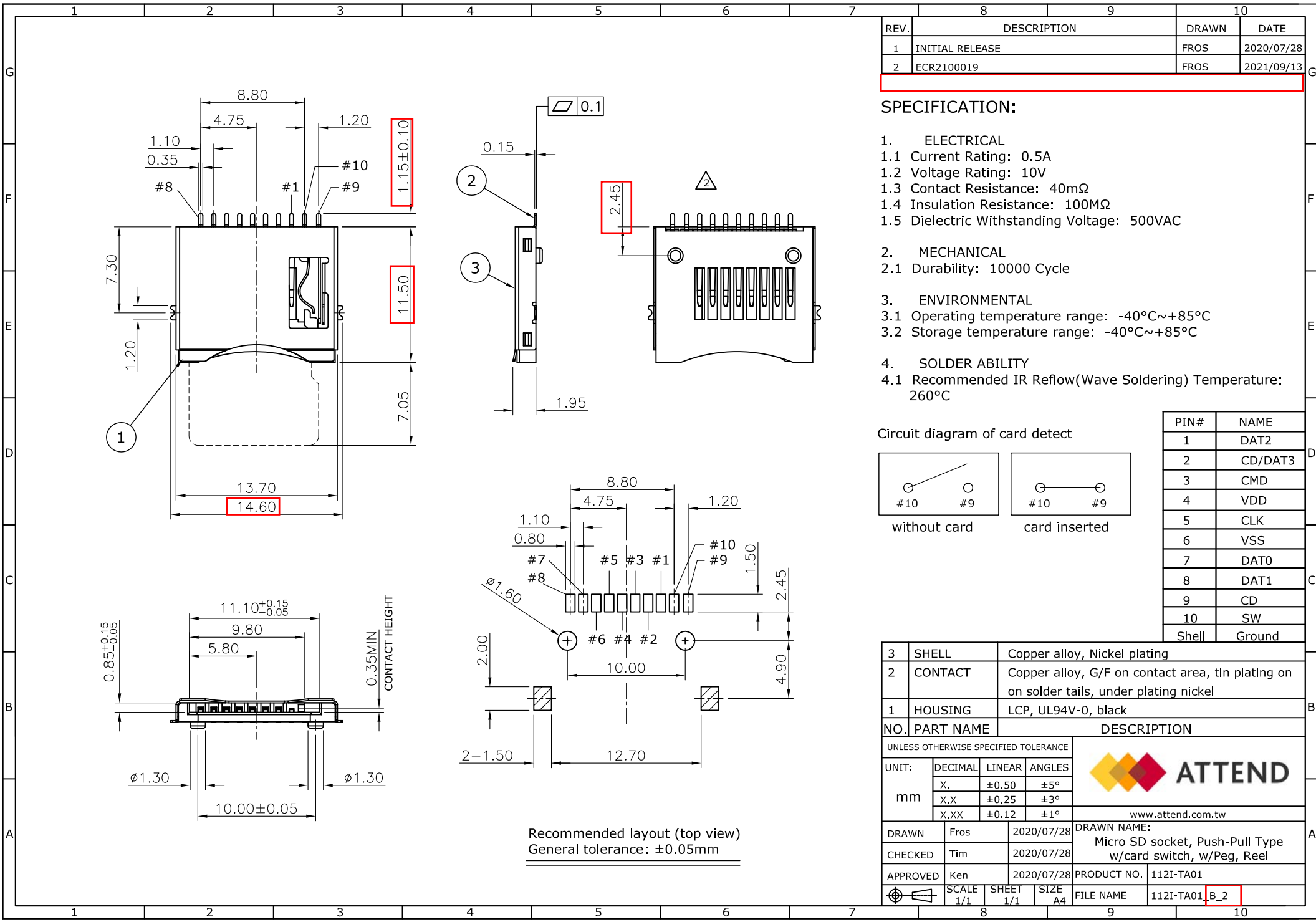
The above is our Engineering Change Notification (ECN), in order to achieve excellent product management, we will from time to time through the ECN process, optimize the product design to ensure our customers obtaining high-performance product quality.

以上是我們的產品設計變更通知信函。為了達到更精良的產品管理，我們將會不定期的透過設計變更流程，進而優化產品的設計，以確保客戶能獲得高效能的產品品質。

Thanks for your cooperation in advance.

感謝您的配合。

Fros Liao / Engineer
 ATTEND Technology Inc.
 立威科技股份有限公司

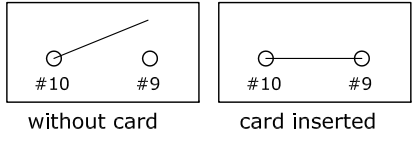


REV.	DESCRIPTION	DRAWN	DATE
1	INITIAL RELEASE	FROS	2020/07/28
2	ECR2100019	FROS	2021/09/13

SPECIFICATION:

1. ELECTRICAL
 - 1.1 Current Rating: 0.5A
 - 1.2 Voltage Rating: 10V
 - 1.3 Contact Resistance: 40mΩ
 - 1.4 Insulation Resistance: 100MΩ
 - 1.5 Dielectric Withstanding Voltage: 500VAC
2. MECHANICAL
 - 2.1 Durability: 10000 Cycle
3. ENVIRONMENTAL
 - 3.1 Operating temperature range: -40°C~+85°C
 - 3.2 Storage temperature range: -40°C~+85°C
4. SOLDER ABILITY
 - 4.1 Recommended IR Reflow(Wave Soldering) Temperature: 260°C

Circuit diagram of card detect



PIN#	NAME
1	DAT2
2	CD/DAT3
3	CMD
4	VDD
5	CLK
6	VSS
7	DAT0
8	DAT1
9	CD
10	SW
Shell	Ground

3	SHELL	Copper alloy, Nickel plating
2	CONTACT	Copper alloy, G/F on contact area, tin plating on on solder tails, under plating nickel
1	HOUSING	LCP, UL94V-0, black
NO.	PART NAME	DESCRIPTION

UNLESS OTHERWISE SPECIFIED TOLERANCE

UNIT:	DECIMAL	LINEAR	ANGLES
mm	X.	±0.50	±5°
	X.X	±0.25	±3°
	X.XX	±0.12	±1°



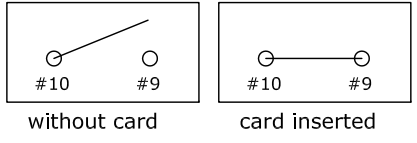
DRAWN	Fros	2020/07/28	DRAWN NAME:	
CHECKED	Tim	2020/07/28	Micro SD socket, Push-Pull Type w/card switch, w/Peg, Reel	
APPROVED	Ken	2020/07/28	PRODUCT NO.	112I-TA01
SCALE	1/1	SHEET	1/1	SIZE
			A4	FILE NAME
				112I-TA01_B_2

REV.	DESCRIPTION	DRAWN	DATE
1	INITIAL RELEASE	FROS	2020/07/28
2	ECR2100019	FROS	2021/09/13
3	ECR2200008	FROS	2022/10/17

SPECIFICATION:

1. ELECTRICAL
 - 1.1 Current Rating: 0.5A
 - 1.2 Voltage Rating: 10V
 - 1.3 Contact Resistance: 40mΩ
 - 1.4 Insulation Resistance: 100MΩ
 - 1.5 Dielectric Withstanding Voltage: 500VAC
2. MECHANICAL
 - 2.1 Durability: 10000 Cycle
3. ENVIRONMENTAL
 - 3.1 Operating temperature range: -40°C~+85°C
 - 3.2 Storage temperature range: -40°C~+85°C
4. SOLDER ABILITY
 - 4.1 Recommended IR Reflow(Wave Soldering) Temperature: 260°C

Circuit diagram of card detect



PIN#	NAME
1	DAT2
2	CD/DAT3
3	CMD
4	VDD
5	CLK
6	VSS
7	DAT0
8	DAT1
9	CD
10	SW
Shell	Ground

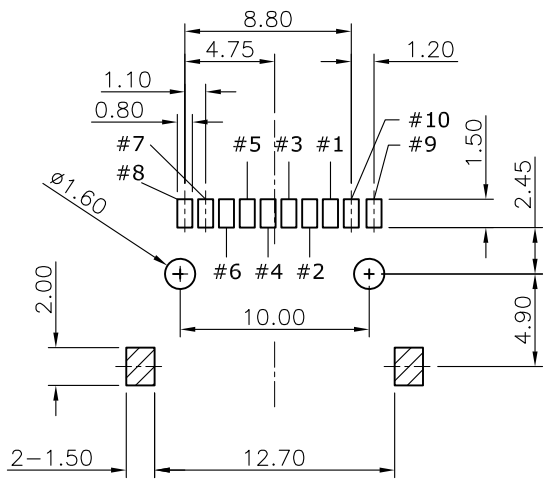
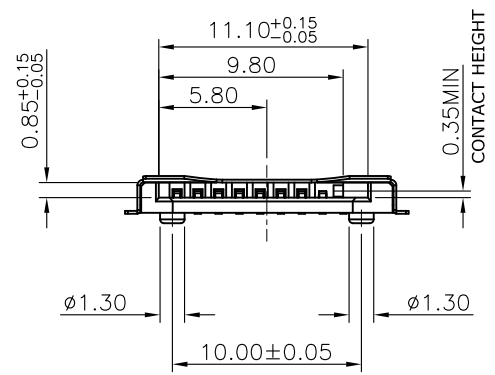
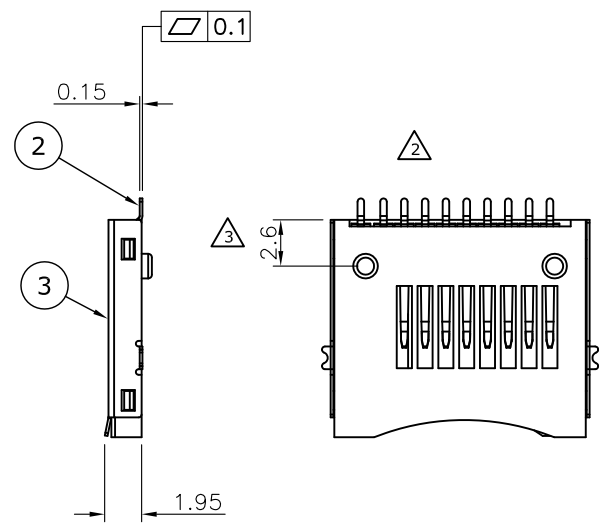
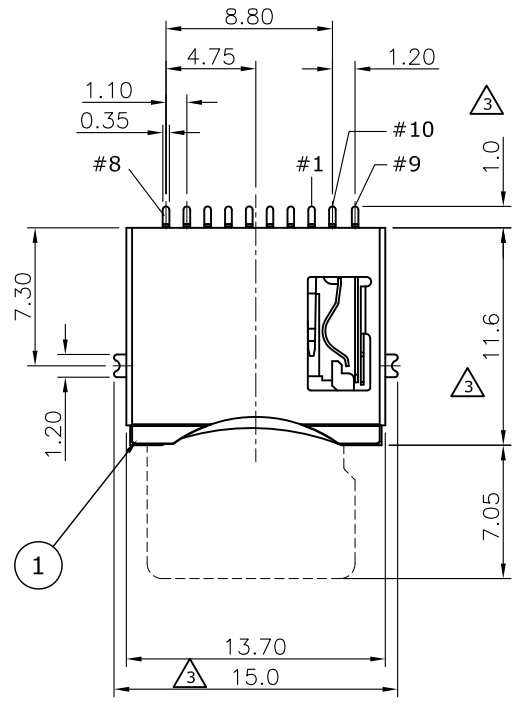
3	SHELL	Copper alloy, Nickel plating
2	CONTACT	Copper alloy, G/F on contact area, tin plating on on solder tails, under plating nickel
1	HOUSING	LCP, UL94V-0, black
NO.	PART NAME	DESCRIPTION

UNLESS OTHERWISE SPECIFIED TOLERANCE

UNIT:	DECIMAL	LINEAR	ANGLES
mm	X.	±0.50	±5°
	X.X	±0.25	±3°
	X.XX	±0.12	±1°



DRAWN	Fros	2020/07/28	DRAWN NAME:	
CHECKED	Tim	2020/07/28	Micro SD socket, Push-Pull Type w/card switch, w/Peg, Reel	
APPROVED	Ken	2020/07/28	PRODUCT NO.	112I-TA01
SCALE	1/1	SHEET	1/1	SIZE
			A4	FILE NAME
				112I-TA01_B_3



Recommended layout (top view)
General tolerance: ±0.05mm