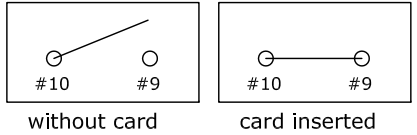


REV.	DESCRIPTION	DRAWN	DATE
1	INITIAL RELEASE	FROS	2020/07/28
2	ECR2100019	FROS	2021/09/13
3	ECR2200008	FROS	2022/10/17

SPECIFICATION:

1. ELECTRICAL
 - 1.1 Current Rating: 0.5A
 - 1.2 Voltage Rating: 10V
 - 1.3 Contact Resistance: 40mΩ
 - 1.4 Insulation Resistance: 100MΩ
 - 1.5 Dielectric Withstanding Voltage: 500VAC
2. MECHANICAL
 - 2.1 Durability: 10000 Cycle
3. ENVIRONMENTAL
 - 3.1 Operating temperature range: -40°C~+85°C
 - 3.2 Storage temperature range: -40°C~+85°C
4. SOLDER ABILITY
 - 4.1 Recommended IR Reflow(Wave Soldering) Temperature: 260°C

Circuit diagram of card detect



PIN#	NAME
1	DAT2
2	CD/DAT3
3	CMD
4	VDD
5	CLK
6	VSS
7	DAT0
8	DAT1
9	CD
10	SW
Shell	Ground

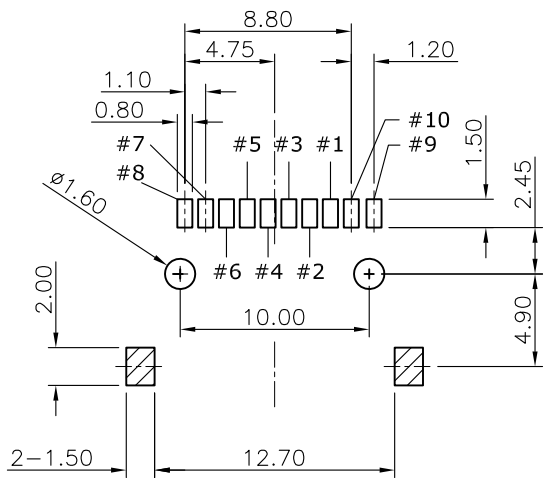
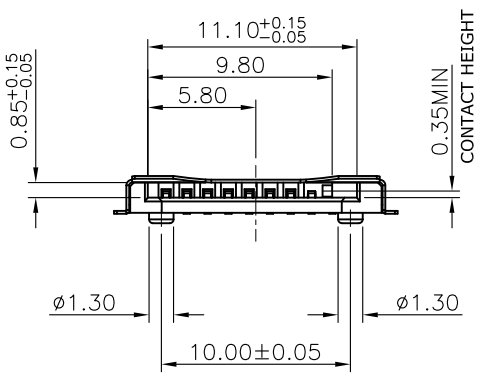
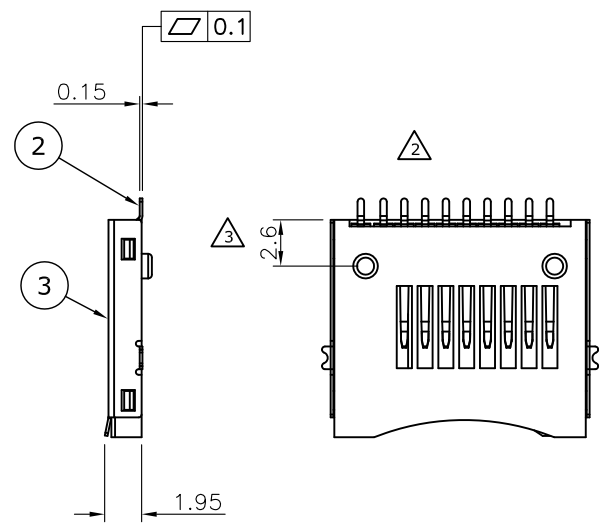
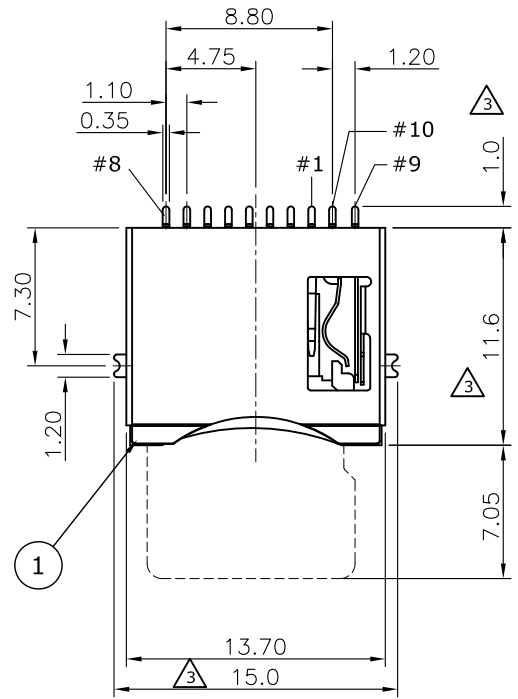
3	SHELL	Copper alloy, Nickel plating
2	CONTACT	Copper alloy, G/F on contact area, tin plating on on solder tails, under plating nickel
1	HOUSING	LCP, UL94V-0, black
NO.	PART NAME	DESCRIPTION

UNLESS OTHERWISE SPECIFIED TOLERANCE

UNIT:	DECIMAL	LINEAR	ANGLES
mm	X.	±0.50	±5°
	X.X	±0.25	±3°
	X.XX	±0.12	±1°



DRAWN	Fros	2020/07/28	DRAWN NAME:	
CHECKED	Tim	2020/07/28	Micro SD socket, Push-Pull Type w/card switch, w/Peg, Reel	
APPROVED	Ken	2020/07/28	PRODUCT NO.	112I-TA01
SCALE	1/1	SHEET	1/1	SIZE
				A4
			FILE NAME	112I-TA01_B_3



Recommended layout (top view)
General tolerance: ±0.05mm