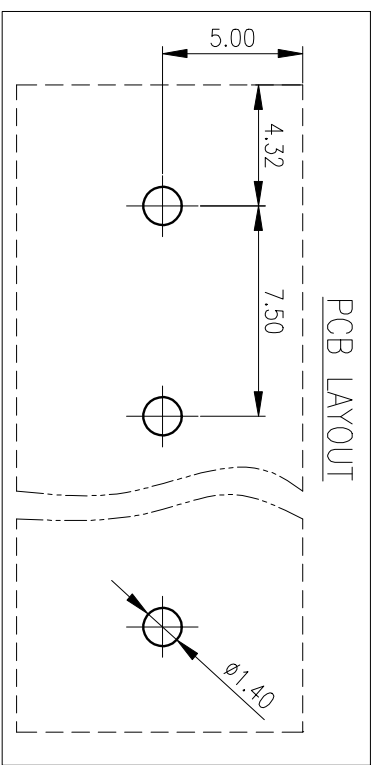
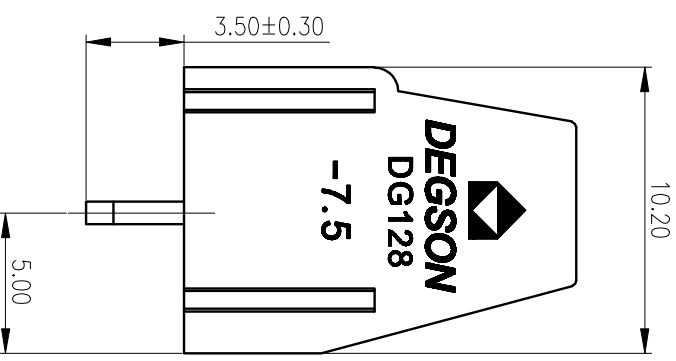
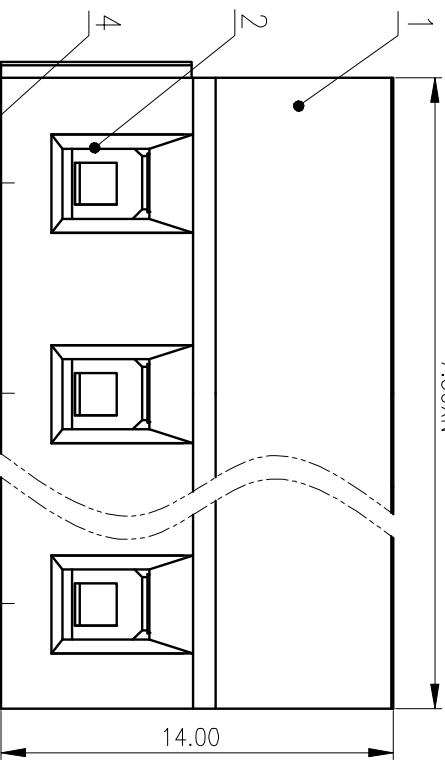
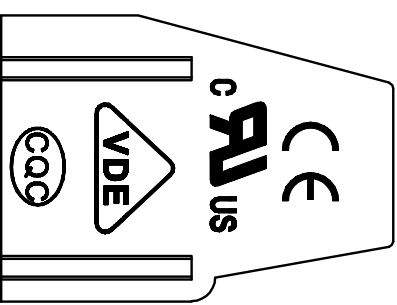
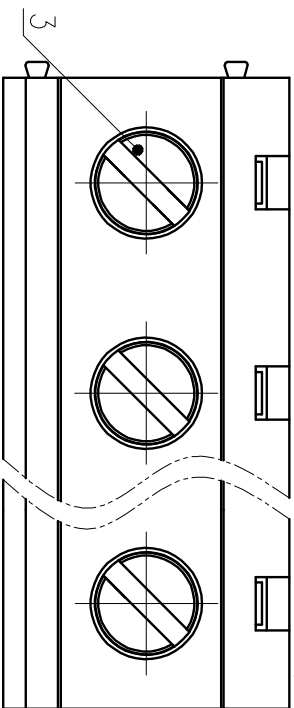


公差等级/General	tolerance/(mm)	0	>3	>6	>10	>18	>30	>50	>80	>120	>180	>250	>315	>400	>500	0.1/10
±0.12	+0.18	±0.22	+0.26	+0.31	±0.37	+0.57	+0.80	+0.93	±1.05	±1.15	±1.60	±2.20	±2.50	±2.50	±Z	±Z



4	Pin Header	Copper Alloy	Sn Plated
3	Screw	Steel	M2.5/Zn Plated
2	Cage	Copper Alloy	M2.5/Ni Plated
1	Housing	PA66	UL94V-0

UL 标准/UL Standard: B C D  
 额定电压/电源/Rated Voltage(V)/Current(A) 300/20 / 300/70  
 IEC 标准/IEC Standard:  
 过压类别/Overvoltage Category/污染等级 III/3 III/2 II/2  
 额定电压/电源/Rated Voltage(V)/Current(A) / 400/18 /  
 工频耐压/Withstanding Voltage(V/Min) / AC2500 /  
 拧紧扭矩/Torque Tightening(N·m/Lb·in) M2.5: 0.4/3.54  
 线径范围(硬线和软线)/Wire Range(rigid and flexible)(mm²/AWG) 1.0~2.5/30~12  
 剥线长度/Stripping length(mm) 7.5/N=02~16P  
 使用温度范围/Operating temperature(°C) -40~+105  
 符合RoHS要求/Conform to RoHS Yes

MATERIAL: /	SURFACE: /
MAT NO.: /	
STATUS: /	
APPD: LiGL 2020.06.11	NAME: <b>DEGSON® NINGBO DEGSON ELECTRICAL CO., LTD</b>
CHKD: Mek 2020.06.11	<b>DG128-7.5-XXP-1Y-00A(H)</b>
DRT: LuoXM 2020.06.11	DRAWING NO.: DG128-7.5-C02

REV	ECN	DESCRIPTION	DRT	DATE
1	2	3	4	5
1/1	T1	CUSTOMER DRAWING	SCALE: 4:1	SHEET