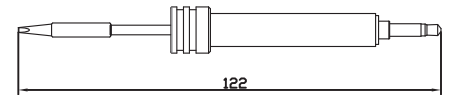
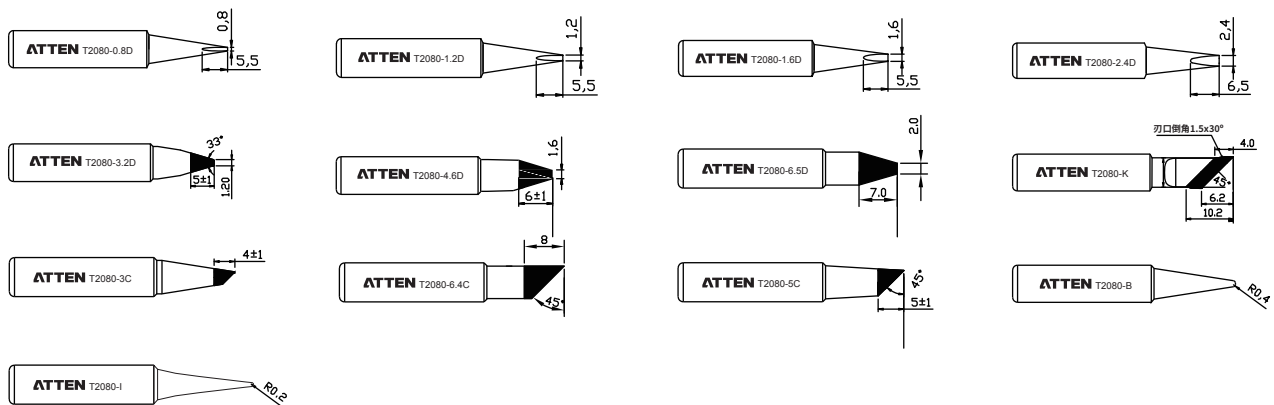


Integrated heater (10W)

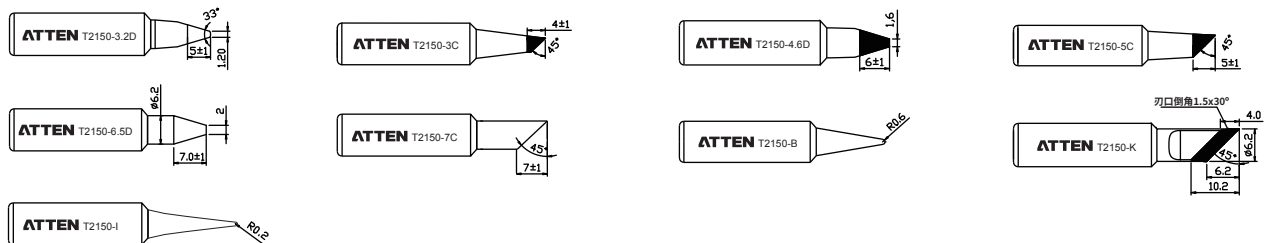


<p>T10-1.3D ACF030015</p>	<p>T10-1.2C ACF030014</p>	<p>T10-2.2D ACF030016</p>	<p>T10-3.0D ACF030017</p>	<p>T10-0.5I ACF030018</p>	<p>T10-K ACF030019</p>
-------------------------------	-------------------------------	-------------------------------	-------------------------------	-------------------------------	----------------------------

Soldering tips (T2080)



Soldering tips (T2150)



Solder Stand

S-11



S-11

- All-metal construction.
- Portable solder stand which helps.
- Work more convenience.
- The tilt angle is adjustable.