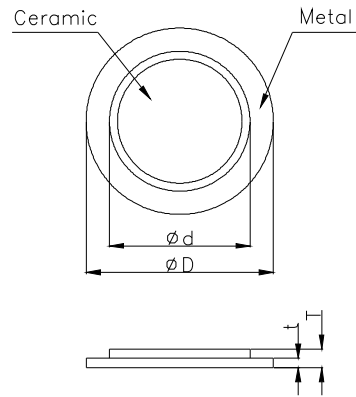


ONE SIDE NO FEEDBACK



MODEL NO.	RESONANT FREQUENCY	RESONANT IMPEDANCE max.	CAPACITY $\pm 30\%$ pF	DIMENSIONS				PLATE MATERIAL
	KHz	Ω		D mm	d mm	T mm	t mm	
MZ-31130T00	1.3	500	52000	31.0	20.2	0.23	0.10	Nickel-Alloy