

Embedded Solutions



USB Flash Drives

JetFlash 180I

Transcend's industrial-grade USB flash drive JetFlash 180I comes with the 3D NAND flash and the SLC Mode, offering performance close to that of SLC NAND flash at a more affordable price. Its superior transfer speeds, longer lifespan, compact size, and high compatibility are suitable for mobile storage applications including healthcare, military, and industrial automation. The wide-temperature (-40°C ~ 85°C) capability ensures sustainable functionality in mission-critical applications. The JetFlash 180I can also be empowered by Transcend's UFD Security Toolbox software. Password can be set to secure the drive. Users can even get a One-time Password (OTP) through SMS message on the user's phone to unlock the drive, which ensures higher data security.

Hardware Features

- Backwards compatible with USB 2.0
- Promised operational reliability in a wide temperature range (from -40°C to 85°C)
- Hot-swapping for easy plug-and-play
- High-quality 3D NAND flash and SLC mode for exceptional endurance and reliability

Firmware Features

- Built-in ECC (Error Correction Code) functionality
- Wear-Leveling

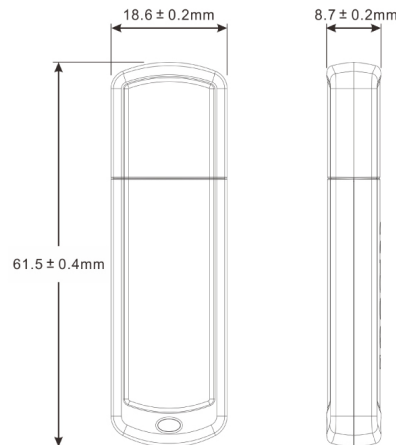
Ordering Information

| | |
|------|-------------|
| 8GB | TS8GJF180I |
| 16GB | TS16GJF180I |

Specifications

| | | | |
|------------------------------|-----------------------------------|---|------------|
| Appearance | Dimensions | 61.5 mm x 18.6 mm x 8.7 mm (2.42" x 0.73" x 0.34") | |
| | Interface | Connection Interface | USB 3.0 |
| | | USB Type | USB Type-A |
| Storage | Flash Type | 3D NAND flash (SLC mode) | |
| | Capacity | 8 GB / 16 GB | |
| Operating Environment | Operating Temperature | -40°C (-40°F) ~ 85°C (185°F) | |
| | Storage Temperature | -40°C (-40°F) ~ 85°C (185°F) | |
| | Operating Voltage | 5V±10% | |
| | Shock | 1500 G, 0.5 ms, 3 axis | |
| | Vibration (Operating) | 20 G (peak-to-peak), 20 Hz ~ 2000 Hz (frequency) | |
| Power | Power Consumption (Operation) | 1 watt(s) | |
| Performance | Read Speed (Max.) | up to 155 MB/s | |
| | Write Speed (Max.) | up to 135 MB/s | |
| | Terabytes Written (TBW) | up to 1,146 TBW | |
| | Mean Time Between Failures (MTBF) | 3,000,000 hour(s) | |
| | Note | Speed may vary due to host hardware, software, usage, and storage capacity. | |
| Warranty | Certificate | CE / FCC / BSMI / UKCA | |
| | Warranty | Three-year Limited Warranty | |
| | Warranty Policy | Please click here for more information about the Transcend Warranty Policy. Due to the complexity and variety of industrial applications, Transcend cannot guarantee 100% compatibility with all platforms and under all scenarios. For special applications and environments, it is strongly suggested that you contact Transcend beforehand for clarification. | |

Mechanical Dimensions



Product specifications are subject to change without notice. Pictures shown may differ from actual products. Total accessible capacity varies depending on operating environment. Due to the complexity and variety of industrial applications, Transcend cannot guarantee 100% compatibility with all platforms and under all scenarios. For special applications and environments, it is strongly suggested that you contact Transcend beforehand for clarification.