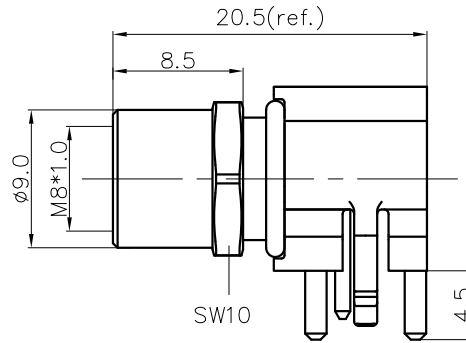
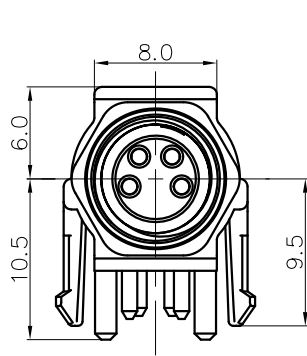


REVISION RECORD

REV	ECN	DESCRIPTION	DRFT	DATE
-----	-----	-------------	------	------



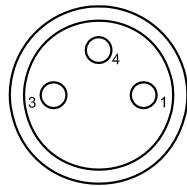
SR-M8A-XXP-FF-SF7005-00A(H)

PIN NO.: 03、04

NOTES:

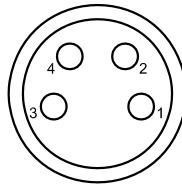
- Rated voltage/current : 3pin:60V / 3A
4pin:60V / 3A
- Withstanding voltage : 850V
- Levels of protection:IP67
- Wire connection mode:soldering(PCB)
- Operating temperature:-20°C~+80°C
- For Panel Thinkness Max: 1.0~2.5mm
- RoHS Compliance
- Tolerance :
 - .X ±0.25mm
 - .XX ±0.1mm
 - ∠ ±1°

3pin A Coding



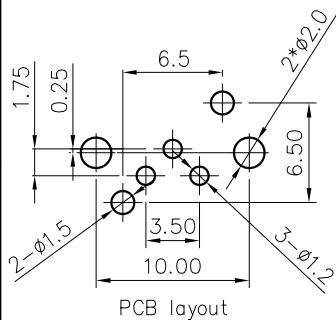
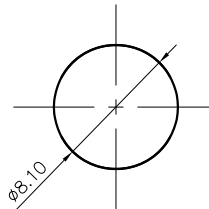
Pin Assignment Front View

4pin A Coding

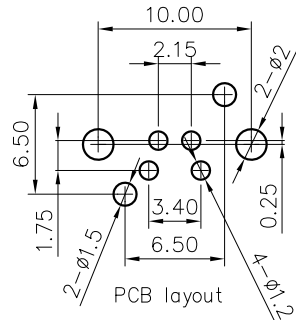


Pin Assignment Front View

Panel mounted



PCB layout



PCB layout

DETACHED LISTS	PART NO.: SRM8AXPFFSF700500AH	宁波高松电子有限公司 NINGBO DEGSON ELECTRICAL CO., LTD		
	APPD:	NAME: SR-M8A-XXP-FF-SF7005-00A(H)		
	CHKD:	TITLE: CUSTOMER DRAWING		
	DRFT:	DRAWING NO.: XXXXXXXX-XX-CXX	REV	SHEET 1/1
THIRD ANGLE PROJECTION		← MM (INCH) → DO NOT SCALE DRAWING	SCALE	1:1