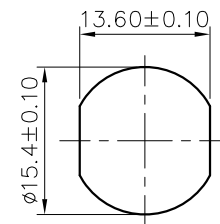
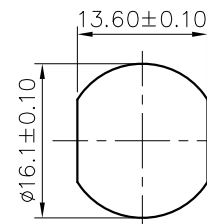
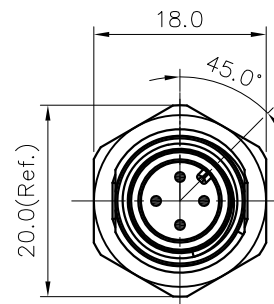


REVISION RECORD

REV	ECN	DESCRIPTION	DRFT	DATE
-----	-----	-------------	------	------

Thread specification:  
M16\*1.5

Thread specification:  
PG9



Panel Mounted

Panel Mounted

SS-M12X-XXP-MM-SF8XXX-00A(H)

Coding: A,B,D

Pin number: 03,04,  
05,06,08,  
10,12

Thread specification:  
A: PG9;  
B: M16\*1.5

XX: 150~1500mm  
15: 150±15mm  
30: 300±20mm  
50: 500±20mm  
A0: 1000±40mm  
A5: 1500±40mm  
Wire Length L: 150~1500mm

NOTES:

- Rated voltage/current : 3pin A: 250V / 4A  
4pin A: 250V / 4A  
5pin A: 60V / 4A  
6pin A: 30V / 2A  
8pin A: 30V / 2A

2. Withstanding voltage : AC1060V/1Min

3. Levels of protection: IP68

4. Cable specifications :

3pin A: 22AWG/0.34mm<sup>2</sup>,UL1061

4pin A: 22AWG/0.34mm<sup>2</sup>,UL1061

5pin A: 22AWG/0.34mm<sup>2</sup>,UL1061

6pin A: 24AWG/0.25mm<sup>2</sup>,UL1061

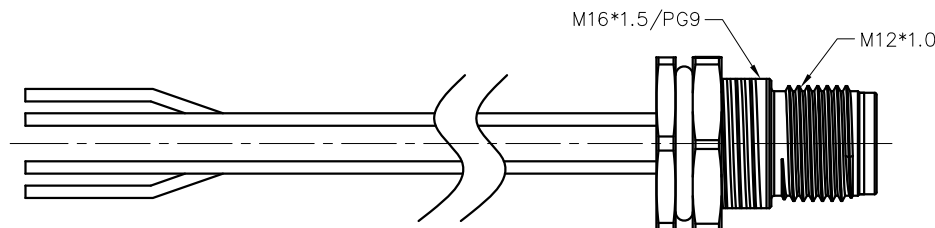
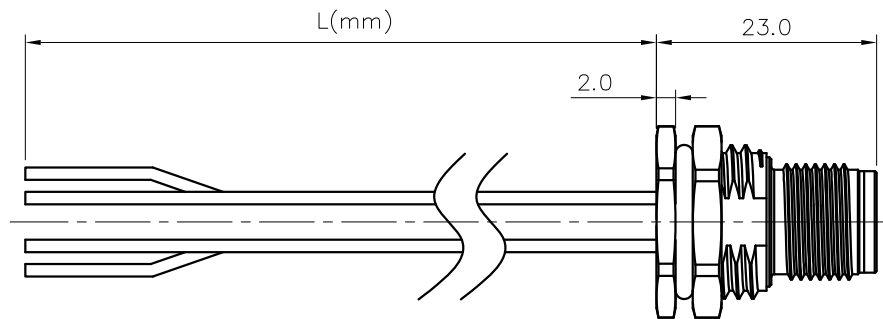
8pin A: 24AWG/0.25mm<sup>2</sup>,UL1061

5. Wire connection mode: soldering

6. Operating temperature: -40°C~+85°C

7. For Panel Thickness Max: 4.5mm

8. RoHS Compliance

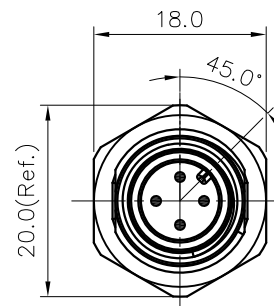
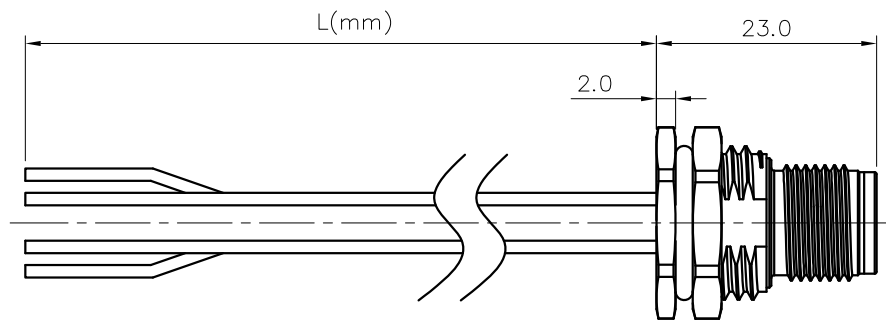


3pin A Coding	4pin A Coding	5pin A Coding	6pin A Coding	8pin A Coding
Pin Assignments Front View	Pin Assignments Front View	Pin Assignments Front View	Pin Assignments Front View	Pin Assignments Front View
				8 Red
				7 Blue
				6 Pink
		5 Grey		5 Grey
4 Black	4 Black	4 Black	4 Yellow	4 Yellow
3 Blue	3 Blue	3 Blue	3 Green	3 Green
1 Brown	1 White	2 White	2 Brown	2 Brown
1 Brown	1 Brown	1 Brown	1 White	1 White
Pin Wire Color	Pin Wire Color	Pin Wire Color	Pin Wire Color	Pin Wire Color
Pin Out	Pin Out	Pin Out	Pin Out	Pin Out

DETACHED LISTS	PART NO.: SSM12XXXPMMSF8XXX00AH		宁波高松电子有限公司 NINGBO DEGSON ELECTRICAL CO., LTD	
	APPD:	NAME: SS-M12X-XXP-MM-SF8XXX-00A(H)		
	CHKD:	TITLE: CUSTOMER DRAWING		
	DRFT: LZ 2018.10.08	REV: D0-1	SHEET: 1/2	
THIRD ANGLE PROJECTION		DRAWING NO.: XXXXXXXX-XX-CXX	SCALE: 1:1	DO NOT SCALE DRAWING

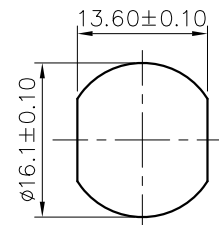
REVISION RECORD

REV	ECN	DESCRIPTION	DRFT	DATE
-----	-----	-------------	------	------

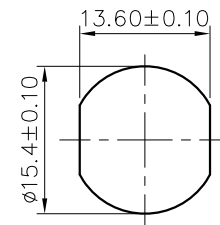


Thread specification:  
M16\*1.5

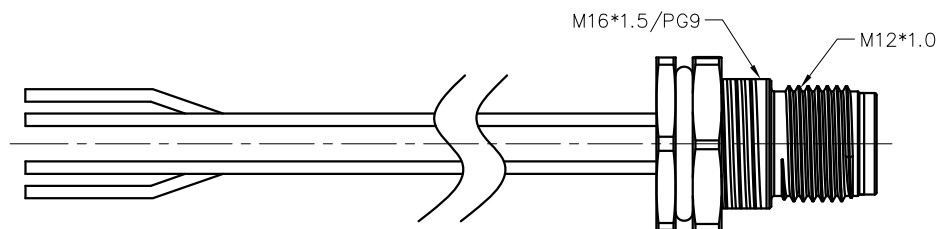
Thread specification:  
PG9



Panel Mounted



Panel Mounted



SS-M12X-XXP-MM-SF8XXX-00A(H)

Coding: A,B,D

Pin number: 03,04,  
05,06,08,  
10,12

Thread specification:  
A: PG9;  
B: M16\*1.5

XX: 150~1500mm  
15: 150±15mm  
30: 300±20mm  
50: 500±20mm  
A0: 1000±40mm  
A5: 1500±40mm  
Wire Length L: 150~1500mm

NOTES:

- Rated voltage/current : 10pin A: 30V / 1.5A  
12pin A: 30V / 1.5A  
5pin B: 60V / 4A  
4pin D: 250V / 4A
- Withstanding voltage : AC1060V/1Min
- Levels of protection: IP68
- Wire specifications :  
10pin A: 26AWG/0.14mm<sup>2</sup>,UL1061  
12pin A: 26AWG/0.14mm<sup>2</sup>,UL1061  
5pin B: 22AWG/0.34mm<sup>2</sup>,UL1061  
4pin D: 22AWG/0.34mm<sup>2</sup>,UL1061
- Wire connection mode: soldering
- Operating temperature: -40°C~+85°C
- For Panel Thickness Max: 4.5mm
- RoHS Compliance

10pin A Coding		12pin A Coding		5pin B Coding		4pin D Coding	
Pin Assignments Front View		Pin Assignments Front View		Pin Assignments Front View		Pin Assignments Front View	
		12	Red/Blue				
		11	Grey/Pink				
10	Violet	10	Violet				
9	Red	9	Red				
8	Grey	8	Grey				
7	Black	7	Black				
6	Yellow	6	Yellow				
5	Pink	5	Pink	5	Grey		
4	Green	4	Green	4	Black	4	Black
3	White	3	White	3	Blue	3	Blue
2	Blue	2	Blue	2	White	2	White
1	Brown	1	Brown	1	Brown	1	Brown
Pin	Wire Color	Pin	Wire Color	Pin	Wire Color	Pin	Wire Color
	Pin Out		Pin Out		Pin Out		Pin Out

DETACHED LISTS	PART NO.: SSM12XXXPMMSF8XXX00AH		宁波高松电子有限公司 NINGBO DEGSON ELECTRICAL CO., LTD	
	APPD:		NAME: SS-M12X-XXP-MM-SF8XXX-00A(H)	
	CHKD:			
	DRFT:	LZ 2018.10.08	TITLE: CUSTOMER DRAWING	REV: D0-1
			DRAWING NO.: XXXXXXXX-XX-CXX	SHEET: 2/2
		MM (INCH)	DO NOT SCALE DRAWING	SCALE: 1:1