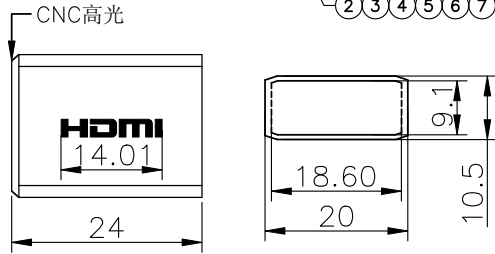
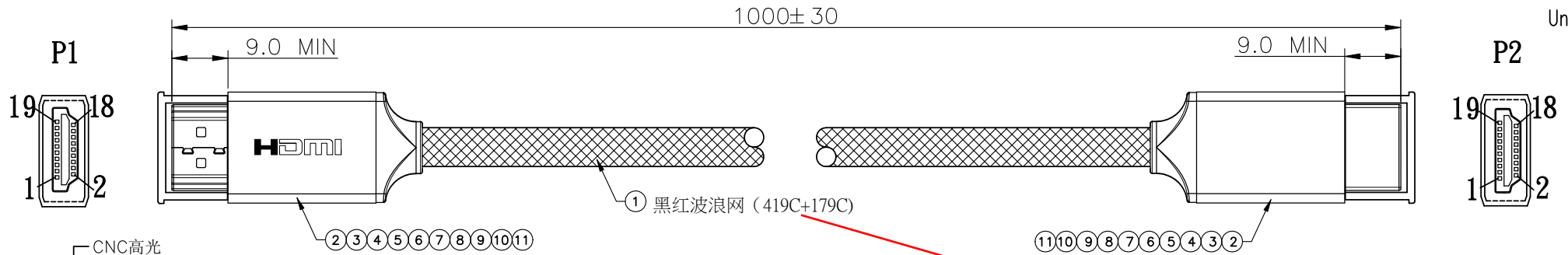


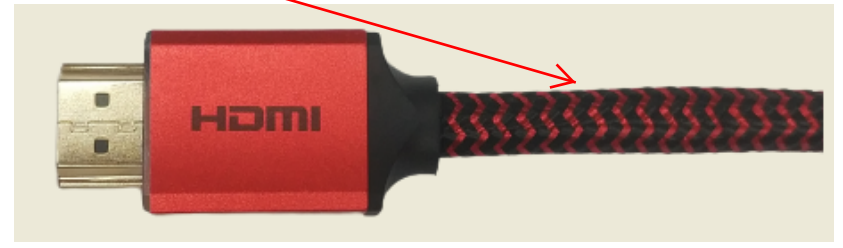
Unit : mm



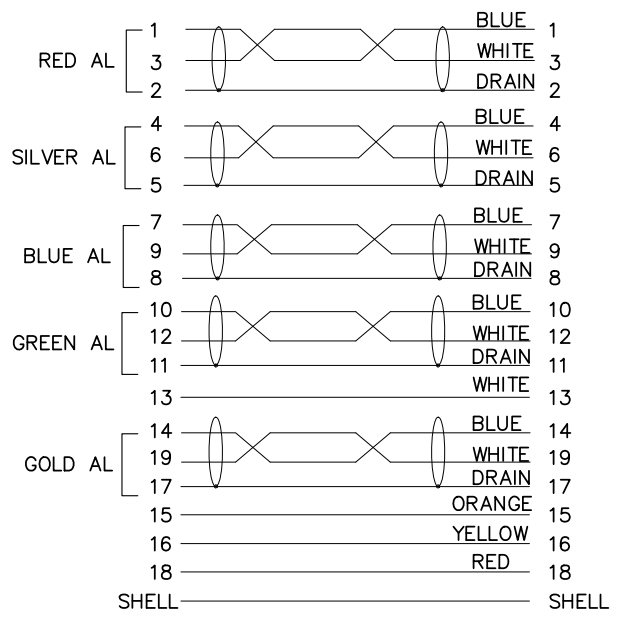
红色铝壳 (PANTONE 179C)
 镭雕黑色 (PANTONE 419C)

ELECTEICAL TEST:

1. 100%OPEN SHORT&MISS WIRE TEST;
2. INSULATION RESISTANCE:5Mohm MIN;
3. CONDUCTOR RESISTANCE:5ohm MAX;
4. HI-POT TEST: DC 300V/0.01s;
5. All materials are RoHS compliant;
6. TV测试: 支持4K&8K播放, 图像声音清晰/同步不可有雪花/图像跳动/闪动/黑屏等现象.



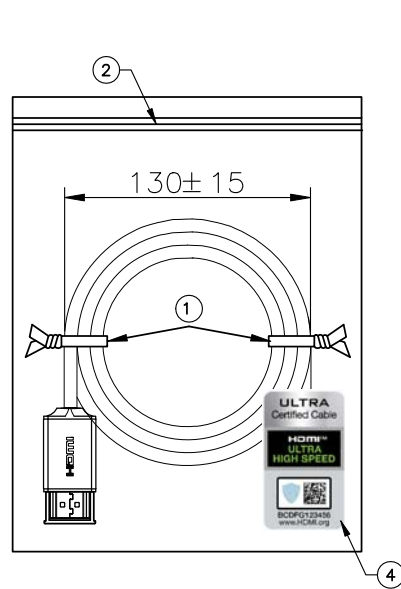
RoHS Compliant



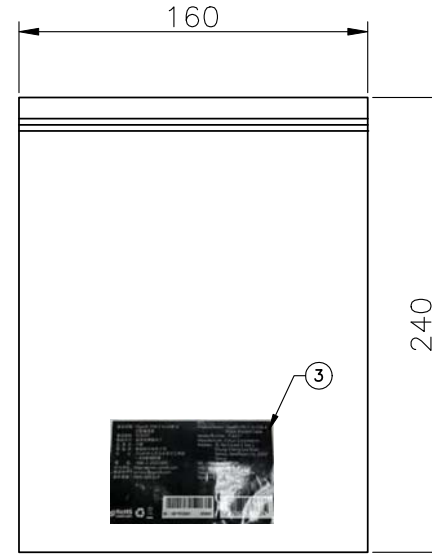
ITEM	PART No.	VENDOR	DESCRIPTION	Q'TY	OVERALL WIRE LENGTH
11	ALUMINUM SHELL	-	红色方形壳, 大边空白, 小边镭雕HDMI, 前端CNC高光	2	-
10	LABLE	-	茶色高温胶纸 W10*L40MM	2	-
9	防尘盖	-	HDMI 防尘盖	2	-
8	COPPER FOIL	-	双面导电铜箔 W22*L40MM	2	-
7	COPPER FOIL	-	双导铜箔 W6*L40MM	2	-
6	OVER MOLD	-	PVC 55P BLACK	-	-
5	INNER MOLD	-	PE	-	-
4	屏蔽壳	-	HDMI 屏蔽铁壳2.1版 上下盖方款 (OD:6.0~6.5)	2	-
3	CLIP	-	HDMI2.1 -支架30裸线1.4版正标-手工排线	2	-
2	CONN	-	HDMI2.1 铁壳 镀金 加锡(深红色胶芯)	2	-
1	CABLE	-	30#, (1/0.254BC*1P+1/0.254TC+AL-foil+Adhesive-PET)*5C+(1/0.254BC*4C+AL-FOIL+7/0.16TC+144#/0.12AL OD:5.8MM BK PVC+黑红波浪网(KYM***) 编后OD:6.5MM	1	A/R

P1	COLOR	P2	
PIN ASSIGNMENT			
△3			
△2			
△1			
SYM	NAME	DATE	REVISIONS

DRAWN BY	CHECKED BY	APPROVED BY	CONFIRMED BY	DESCRIPTION	CUST. CODE	
Lulu	Iron	Iron	Waleed	HDMI CABLE	OPR09	
10/14.21'	10/14.21'	10/14.21'	10/14.21'	SHEET: 1 OF 2	CUSTOMER P/N	-



协会贴纸贴于正面右下角位置



贴纸贴于背面底部中间位置

RoHS Compliant

4	LABLE	-	协会贴纸	1	-
3	LABLE	-	PE袋贴纸	1	-
2	BAG	-	珠光袋 0.05*160*240MM	1	-
1	TIE	-	BLACK PE TIE	2	-
ITEM	PART No.	VENDOR	DESCRIPTION	Q'TY	OVERALL WIRE LENGTH

PIN ASSIGNMENT			
③			
②			
①			
SYM	NAME	DATE	REVISIONS

DRAWN BY				CHECKED BY				APPROVED BY				CONFIRMED BY				DESCRIPTION		CUST. CODE	
Lulu				Iron				Iron				Waleed				HDMI CABLE		OPR09	
10/14.21'				10/14.21'				10/14.21'				10/14.21'						CviLux Corporation	
												SHEET: 2 OF 2		DRAWING No. WH210013DA		CviLux P/N DH-21H50013			
														CUSTOMER P/N		-			