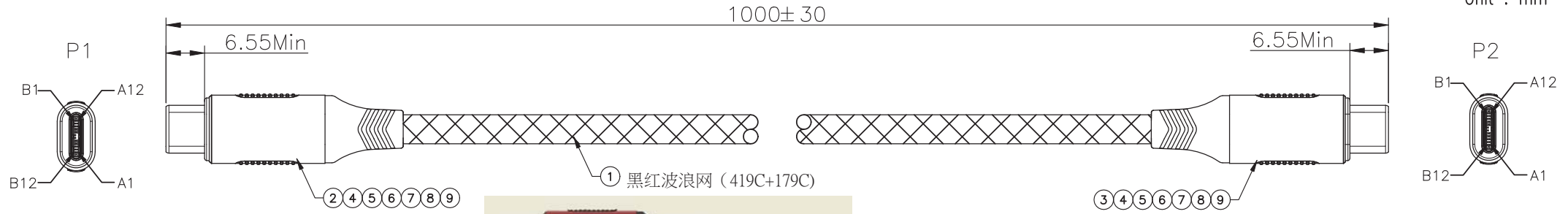
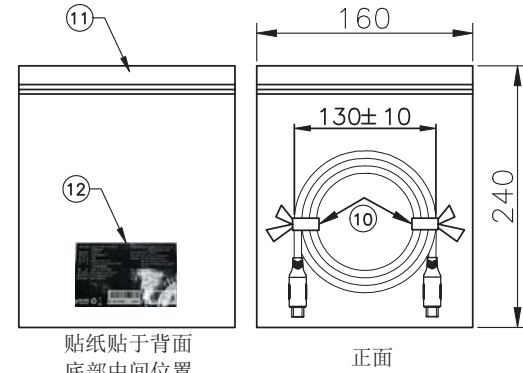
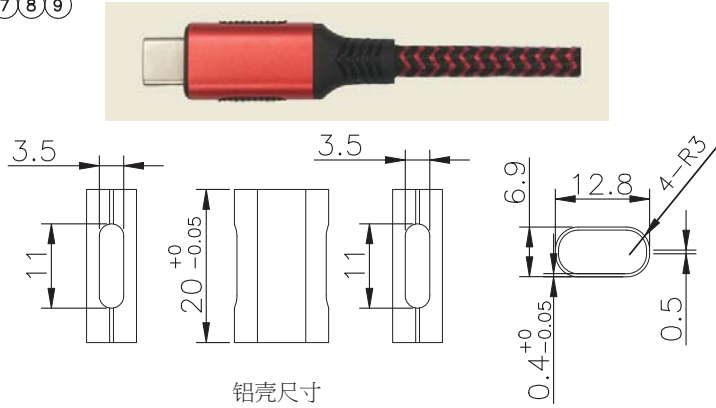


Unit : mm



ELECTEICAL TEST:

- 100% OPEN SHORT & MISS WIRE TEST;
- INSULATION RESISTANCE: 10Mohm MIN;
- CONDUCTOR RESISTANCE: 3ohm MAX;
- HI-POT TEST: DC 300V/0.02s;
- All materials are RoHS compliant;
- Voltage: 20v current 5A. 10G(GEN2)



RoHS Compliant

P1	Signal	P2
A4.A9.B4.B9	VBUS	A4.A9.B4.B9
A5	CC	A5
A6	D+	A6
A7	D-	A7
A8	SUB1	B8
B5	VCONN	B5
B8	SUB2	A8
A1.A12.B1.B12	GND	A1.A12.B1.B12
SHELL	Shield	SHELL
A2	TX1+	B11
A3	TX1-	B10
A10	RX1+	B3
A11	RX1-	B2
B2	TX2+	A11
B3	TX2-	A10
B10	RX2+	A3
B11	RX2-	A2

ITEM	PART No.	VENDOR	DESCRIPTION	Q'TY	OVERALL WIRE LENGTH
12	LABLE	-	贴纸	1	-
11	BAG	-	珠光袋 0.05*240*160MM	1	-
10	TIE	-	BLACK PE TIE	2	-
9	屏蔽殼	-	TYPE C 屏蔽铁壳 20.25長 上下盖鍍銀 (OD:5.0~5.5)	2	-
8	ALUMINUM SHELL	-	红色铝殼(PANTONE 179C)	2	-
7	OVER MOLD	-	85A TPE BLACK	-	-
6	INNER MOLD	-	PE 透明白色	-	-
5	COPPER FOIL	-	双导铜箔 W3*L40MM	2	-
4	CLIP	-	TYPE C 支架 32#CLIP	2	-
3	CONN	-	TYPE-C 3.1插头 24P端子鍍金1U" 黑胶拉伸壳鍍金 有10nF电容+IC	1	-
2	CONN	-	TYPE-C 3.1插头 24P端子鍍金1U" 黑胶拉伸壳鍍金 PCBA有10nF电容	1	-
1	CABLE	-	USB3.1(7/0.08TC*1P+AL+HM)*4P+7/0.08TC*1P+7/0.08TC*4C+56/0.10TC*1C+F+AD22/0.12TC*2C+B TPE OD:4.5MM 黑红波浪网 (KYM***) 编后OD:5.2MM	1	A/R

P1	COLOR	P2
PIN ASSIGNMENT		

ITEM	PART No.	VENDOR	DESCRIPTION	Q'TY	OVERALL WIRE LENGTH
MATERIAL SPECIFICATION					

SYM	NAME	DATE	REVISIONS
3			
2			
1			

DRAWN BY	CHECKED BY	APPROVED BY	CONFIRMED BY	DESCRIPTION	CUST. CODE
Lulu	Iron	Iron	Waleed	USB CABLE	OPR09
10/14.21'	10/14.21'	10/14.21'	10/14.21'	1 OF 1	CUSTOMER P/N
				WU210004DA	DH-21U50004

瀚菱股份有限公司
CviLux Corporation