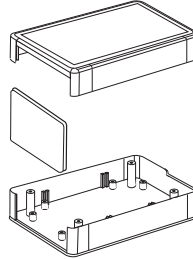
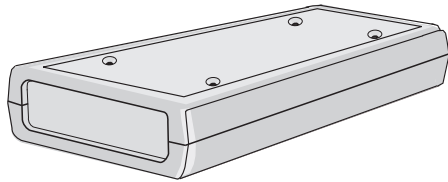


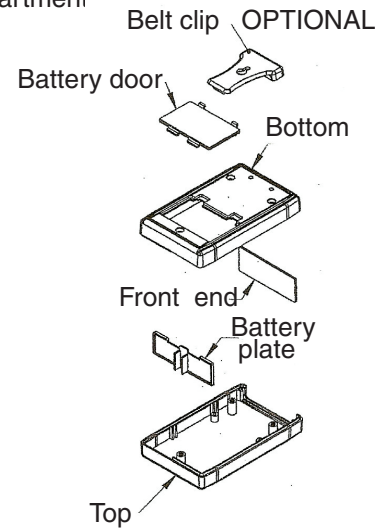
HAND-HELD ENCLOSURES

**SERIES
3100**

- * A range of hand-held enclosures, which are ideal for control devices.
- * Designed in top and base cover with front panel construction.
- * Internal PCB bosses are molded in top and base covers for self-tapping screws.
- * Front panel is as standard in ABS grey color. Dark-red transparent PMMA panel for infrared sensors can on request be delivered.
- * Standard material: ABS Flame Retardant in grey color.



TYPE 3115 with battery compartment



EXTERNAL DIMENSIONS L x W x H (mm)	TYPE	ORDER CODE
100 X 60 X 25	3115	4969311501
100 X 60 X 25	3115 BAT	4969311504
120 X 70 X 25	3135	4969313501
165 X 80 X 32	3155	4969315501
165 X 100 X 32	3165	4969316501
185 X 135 X 40	3185	4969318501
190 X 100 X 40	3195	4969319501
Belt clip	grey	4969300001
Belt clip	black	4969300002

TECHNICAL DATA

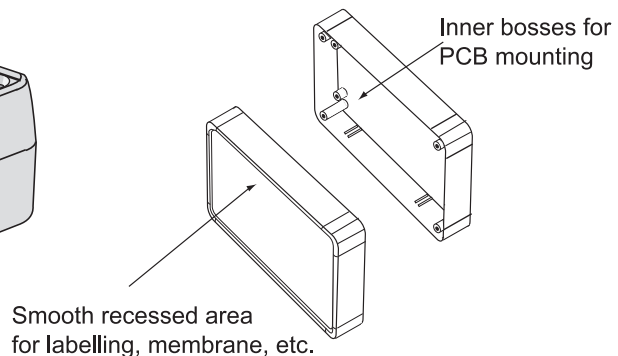
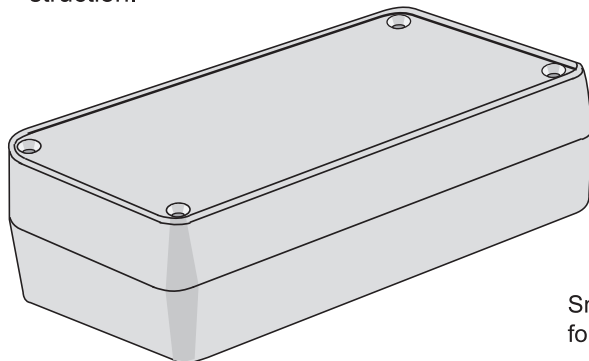
Material: ABS/Flame Retardant
Color: Grey
Temperature: -40 ~ + 75° C
Self-extinguishing: UL-94VO

● All measurements are in mm

PROJECT ENCLOSURES

**SERIES
6000**

- * A range of hand-held enclosures that are ideal for hand-held control devices.
- * Internal PCB bosses are molded in top and base covers for self-tapping screws.
- * Designed in top and base cover two part construction.



EXTERNAL DIMENSIONS L x W x H (mm)	TYPE	ORDER CODE
107 x 64 x 40	6015	4969601501
148 x 64 x 40	6035	4969603501
178 x 105 x 40	6055	4969605501
206 x 106 x 40	6065	4969606501

TECHNICAL DATA

Material: ABS/Flame Retardant
Color: Grey
Temperature: -40 ~ + 75° C
Self-extinguishing: UL-94VO

● All measurements are in mm