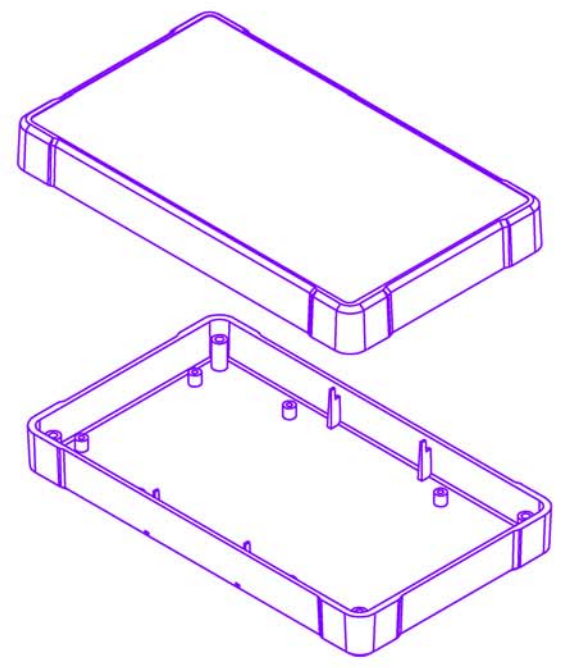


Recessed Area  
96.5 x 170 mm.  
for labeling



**6055 Enclosure**

Size: 178 x 100 x 40 mm.  
Material:  
Flame Retardant Resin  
ABS UL-94V0  
Supply:  
1, Fixing screws x 4 pcs.  
2, PCB screws x 4 pcs.

**Bernic**

	1998, 8, 15	1:1
6055 Dimension Drawing		
178 x 104 x 40 mm	v1.0	1/1