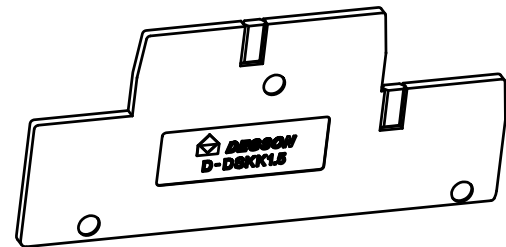
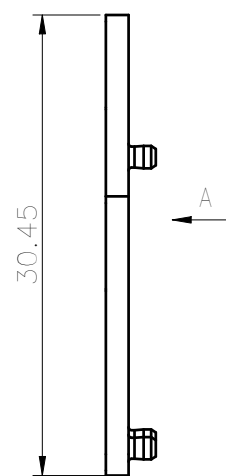
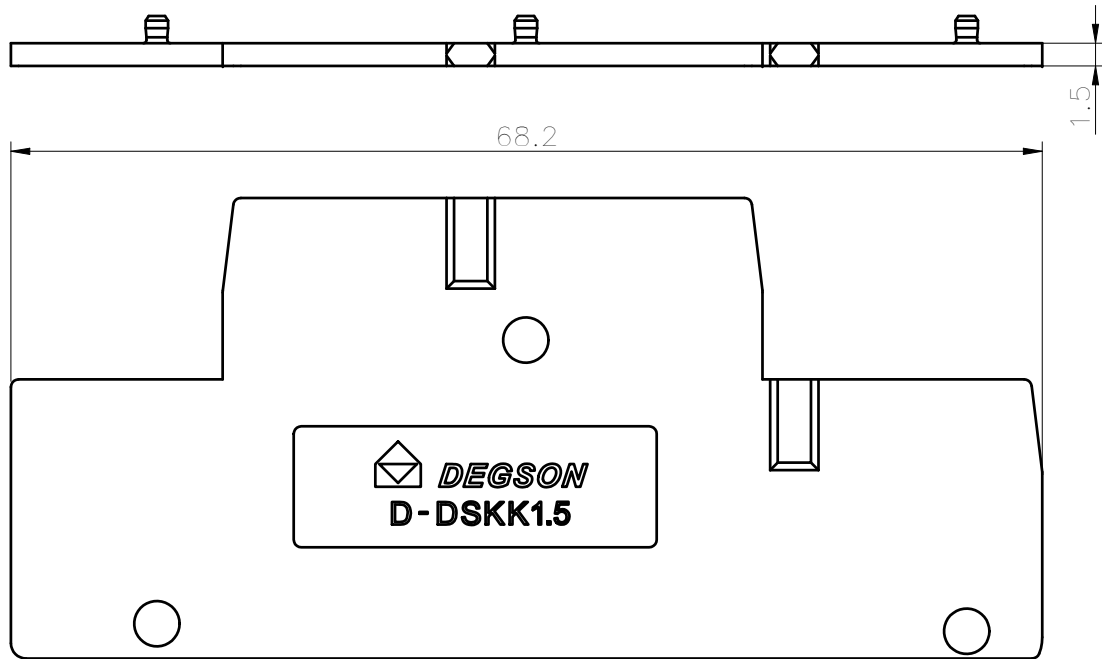
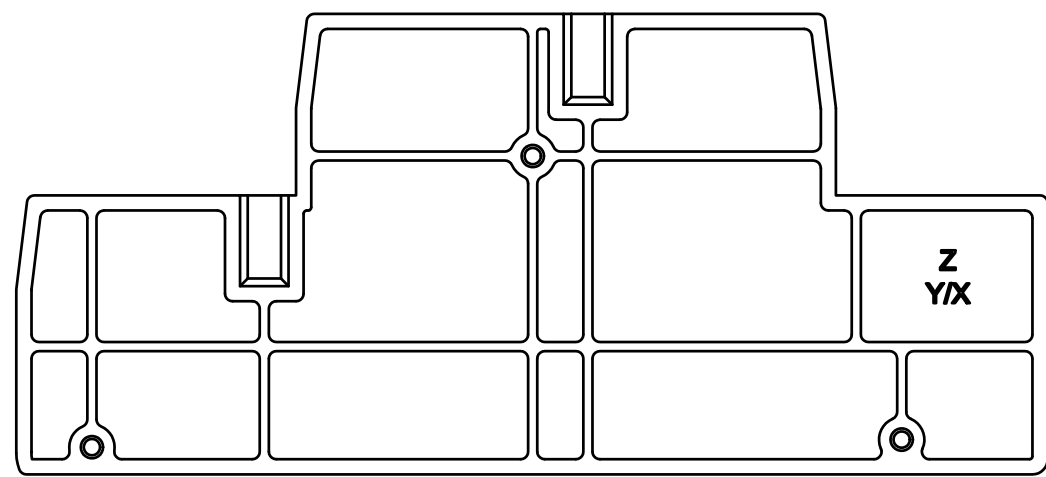


未注公差/General tolerances(mm)											0.1/10		
0 ~ 3	>3 ~ 6	>6 ~ 10	>10 ~ 18	>18 ~ 30	>30 ~ 50	>50 ~ 80	>80 ~ 120	>120 ~ 180	>180 ~ 250	>250 ~ 315		>315 ~ 400	>400 ~ 500
±0.12	±0.18	±0.22	±0.26	±0.31	±0.37	±0.57	±0.80	±0.93	±1.05	±1.15	±1.60	±2.20	±2.50



VIEW A



间距/Pitch(mm)/线数范围/Poles	1.50/N=01P
使用温度范围/Operating temperature(°C)	-40~+105
符合RoHS环保要求/Conform to RoHS	Yes

DEGSON		MATERIAL: PA66	SURFACE: /		
APPD: Peng M 2022.06.06		MAT NO./REV: /		MAT STATUS: /	
CHKD: Gao WG 2022.06.06		NAME			
DRFT: Chen KZ 2022.06.06		D-DSKK1.5-01P-1Y-00A(H)			
DRAWING NO. /		TYPE		DRAWING STATUS	
/		CUSTOMER DRAWING		/	
SCALE		SCALE		SHEET	
2:1		2:1		1/1	

REV	ECN	DESCRIPTION	DRFT	DATE
00	/	/	Chen KZ	2022.06.06

Transfer or duplication of this document as well as the utilization or communication of its contents are prohibited unless authorized in writing by DEGSON. All rights reserved for patent, utility model or design registrations. 非经书面明确授权, 严禁禁止转让、复制、利用、交还本文件的内容。一经发现, 侵权必究。本公司保留对涉及发明、实用新型和外观设计的所有权利。