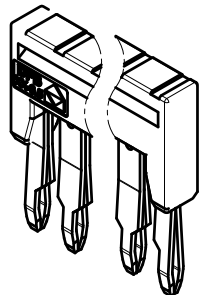
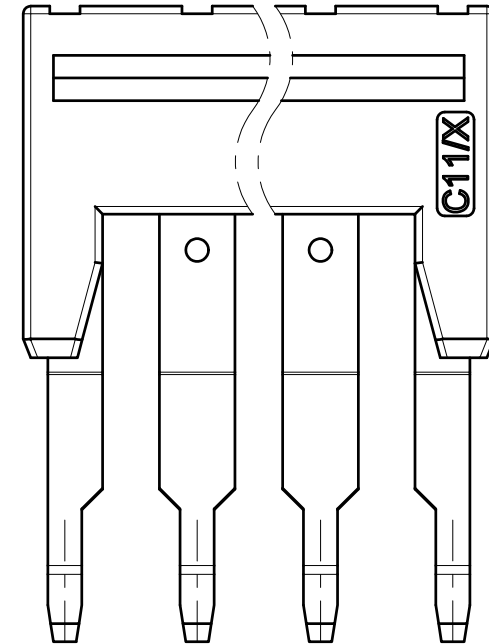
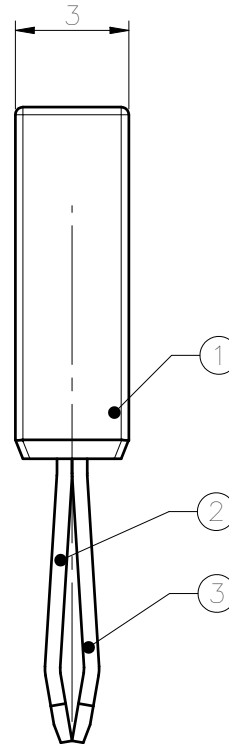
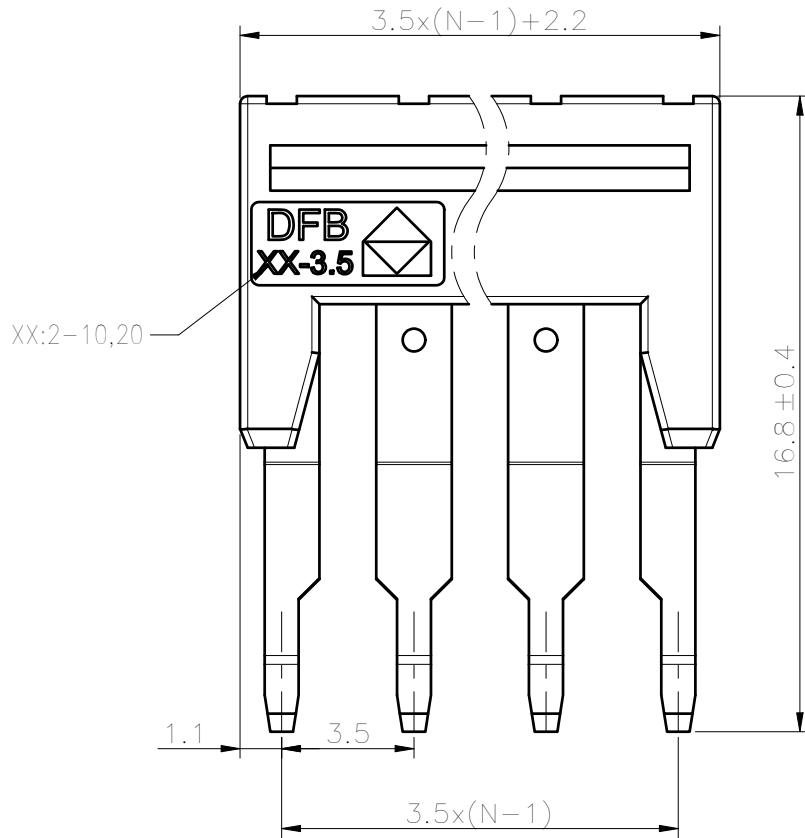
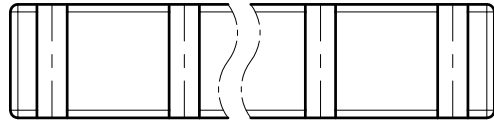


未注公差/General tolerances(mm)													0.1/10
0	>3	>6	>10	>18	>30	>50	>80	>120	>180	>250	>315	>400	
~3	~6	~10	~18	~30	~50	~80	~120	~180	~250	~315	~400	~500	>500
±0.12	±0.18	±0.22	±0.26	±0.31	±0.37	±0.57	±0.80	±0.93	±1.05	±1.15	±1.60	±2.20	±2.50
													±2'



3	Current_carrier2	Copper	Sn_Plated
2	Current_carrier1	Copper	Sn_Plated
1	Housing	PA66	UL94V_0
ITEM	NAME OF PART	MATERIAL	NOTES

间距/Pitch(mm)/线数范围/Poles	3.5/N=2~10P,20P
使用温度范围/Operating temperature(°C)	-40~+105
符合RoHS 环保要求/Conform to RoHS	Yes

APPD: Peng M	2022.06.09
CHKD: Gao WG	2022.06.09
DRFT: Huang RJ	2022.06.09
④	A4

MATERIAL: /	SURFACE: /
MAT. NO./REV: /	STATUS: /
NAME DFBXX-3.5-1Y-00A (H)	
DRAWING NO.	TYPE CUSTOMER DRAWING
SCALE 5:1	SHEET 1/1

00	/	/	Huang RJ	2022.06.09
REV	ECN	DESCRIPTION	DRFT	DATE

Transfer or duplication of this document as well as the utilization or communication of its contents are prohibited unless written authorization is granted. DEGSON reserves all rights for compensation. All rights reserved for patent, utility model or designs registrations. 非经书面授权, 严禁禁止转让、复制、利用、交加本文件的内容, 一经发现将追究法律责任。本公司保留对涉及发明、实用新型和外观设计的所有权利。