
Table of Contents

| | |
|---|----|
| Preface..... | 1 |
| 1. Introduction..... | 4 |
| 1.1. Features..... | 4 |
| 1.2. Board Overview..... | 4 |
| 2. Getting Started..... | 5 |
| 2.1. Curiosity Nano Quick Start MPLAB Xpress..... | 5 |
| 2.2. Quick Start..... | 5 |
| 2.2.1. Driver Installation..... | 5 |
| 2.2.2. Kit Window..... | 5 |
| 2.2.3. MPLAB X IDE Device Family Packs..... | 5 |
| 2.3. Design Documentation and Relevant Links..... | 6 |
| 3. Curiosity Nano..... | 7 |
| 3.1. On-Board Debugger Overview..... | 7 |
| 3.1.1. Debugger..... | 7 |
| 3.1.2. Virtual Serial Port (CDC)..... | 8 |
| 3.1.2.1. Overview..... | 8 |
| 3.1.2.2. Operating System Support..... | 8 |
| 3.1.2.3. Limitations..... | 9 |
| 3.1.2.4. Signaling..... | 9 |
| 3.1.2.5. Advanced Use..... | 10 |
| 3.1.3. Mass Storage Device..... | 10 |
| 3.1.3.1. Mass Storage Device Implementation..... | 11 |
| 3.1.3.2. Configuration Words..... | 11 |
| 3.1.3.3. Special Commands..... | 11 |
| 3.1.4. Data Gateway Interface (DGI)..... | 12 |
| 3.1.4.1. Debug GPIO..... | 12 |
| 3.1.4.2. Timestamping..... | 13 |
| 3.2. Curiosity Nano Standard Pinout..... | 13 |
| 3.3. Power Supply..... | 14 |
| 3.3.1. Target Regulator..... | 14 |
| 3.3.2. External Supply..... | 16 |
| 3.3.3. VBUS Output Pin..... | 16 |
| 3.3.4. Power Supply Exceptions..... | 17 |
| 3.4. Low-Power Measurement..... | 18 |
| 3.5. Programming External Digital Signal Controllers..... | 19 |
| 3.5.1. Supported Devices..... | 19 |
| 3.5.2. Software Configuration..... | 19 |
| 3.5.3. Hardware Modifications..... | 20 |
| 3.5.4. Connecting to External Microcontrollers..... | 21 |
| 3.6. Connecting External Debuggers..... | 22 |
| 4. Hardware User Guide..... | 24 |
| 4.1. Connectors..... | 24 |

| | | |
|--|---|----|
| 4.1.1. | dsPIC33CK64MC105 Curiosity Nano Pinout..... | 24 |
| 4.1.2. | Using Pin-Headers..... | 25 |
| 4.2. | Peripherals..... | 25 |
| 4.2.1. | LED..... | 25 |
| 4.2.2. | Mechanical Switch..... | 26 |
| 4.2.3. | Crystal..... | 26 |
| 4.2.4. | On-Board Debugger Implementation..... | 26 |
| 4.2.4.1. | On-Board Debugger Connections..... | 27 |
| 5. | Hardware Revision History and Known Issues..... | 28 |
| 5.1. | Identifying Product ID and Revision..... | 28 |
| 5.2. | Revision 2..... | 28 |
| 6. | Document Revision History..... | 29 |
| 7. | Appendix..... | 30 |
| 7.1. | Schematic..... | 30 |
| 7.2. | Assembly Drawing..... | 32 |
| 7.3. | Curiosity Nano Base for Click boards™..... | 33 |
| 7.4. | Disconnecting the On-Board Debugger..... | 34 |
| Microchip Information..... | | 36 |
| The Microchip Website..... | | 36 |
| Product Change Notification Service..... | | 36 |
| Customer Support..... | | 36 |
| Microchip Devices Code Protection Feature..... | | 36 |
| Legal Notice..... | | 36 |
| Trademarks..... | | 37 |
| Quality Management System..... | | 38 |
| Worldwide Sales and Service..... | | 39 |

1. Introduction

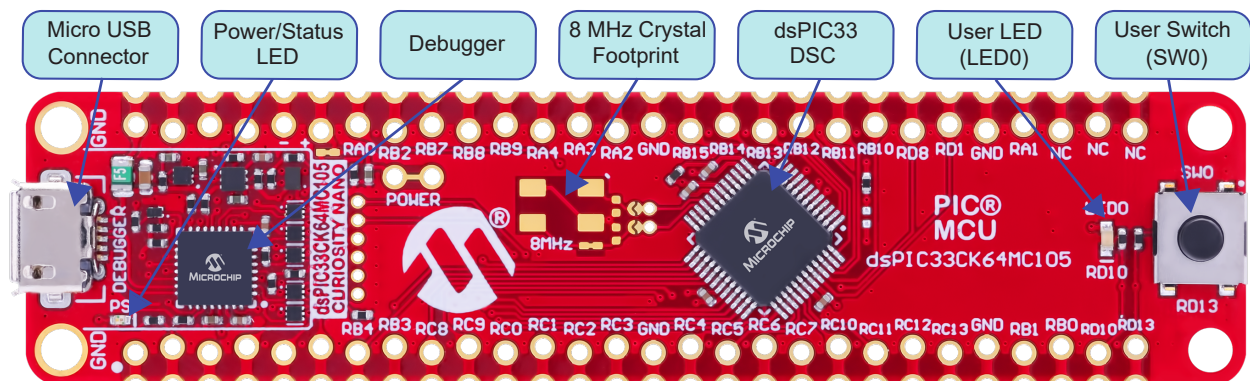
1.1 Features

- dsPIC33CK64MC105 Digital Signal Controller
- One Yellow User LED
- One Mechanical User Switch
- Footprint for 8 MHz Crystal
- On-Board Debugger:
 - Board identification in Microchip MPLAB X IDE
 - One green power and status LED
 - Programming and debugging
 - Virtual serial port (CDC)
 - One debug GPIO channel (DGI GPIO)
- USB Powered
- Adjustable Target Voltage:
 - MIC5353 LDO regulator controlled by the on-board debugger
 - 3.0–3.6V output voltage (limited by USB input voltage)
 - 500 mA maximum output current (limited by ambient temperature and output voltage)

1.2 Board Overview

The Microchip dsPIC33CK64MC105 Curiosity Nano evaluation kit is a hardware platform to evaluate the dsPIC33CK64MC105 Digital Signal Controller.

Figure 1-1. dsPIC33CK64MC105 Curiosity Nano Board Overview



2. Getting Started

2.1 Curiosity Nano Quick Start MPLAB Xpress

Steps to start exploring the Curiosity Nano platform with MPLAB Xpress:

1. Go to mplabxpress.microchip.com to open MPLAB Xpress.
2. Create a new standalone project for dsPIC33CK64MC105.
3. Use the MPLAB Xpress Code Configurator, or write your code.
4. Compile and download the application HEX file.
5. Connect a USB cable (Standard-A to Micro-B or Micro-AB) between the PC and the debug USB port on the board.
6. Copy the application HEX file into the *CURIOSITY* mass storage drive to program the application into the dsPIC33CK64MC105.

To use advanced debug features of the Curiosity Nano kit, package the MPLAB Xpress project for MPLAB X IDE, and follow the quick start guide in the next section.

2.2 Quick Start

Steps to start exploring the dsPIC33CK64MC105 Curiosity Nano board:

1. Download Microchip [MPLAB X IDE](#).
2. Download [MPLAB XC C Compiler](#).
3. Launch MPLAB X IDE.
4. Optional: Use [MPLAB® Code Configurator](#) to generate drivers and examples.
5. Write\Develop the application code.
6. Connect a USB cable (Standard-A to Micro-B or Micro-AB) between the PC and the debug USB port on the board.
7. Program your application onto the device.

The dsPIC33CK64MC105 device on the dsPIC33CK64MC105 Curiosity Nano board is programmed and debugged by the on-board debugger. Therefore, no external programmer or debugger tool is required.

2.2.1 Driver Installation

When the board connects to the computer for the first time, the operating system will perform a driver software installation. The driver file supports both 32 and 64-bit versions of Microsoft® Windows®. The drivers for the board are included with MPLAB X IDE.

2.2.2 Kit Window

When the board is connected to a computer and powered on, the green status LED will be lit, and the MPLAB X IDE will auto-detect which boards are connected. The Kit Window in MPLAB X IDE will present relevant information like data sheets and board documentation.



Tip: If closed, reopen the Kit Window in MPLAB X IDE through the menu bar **Window > Kit Window**.

2.2.3 MPLAB X IDE Device Family Packs

Microchip MPLAB X IDE requires specific information to support devices and tools. This information is contained in versioned packs. For the dsPIC33CK64MC105 Curiosity Nano board, MPLAB® X version 6.05 with device family

pack “dsPIC33CK-MC_DFP” version 1.6.131 and tool pack “nEDBG_TP” version 1.11.554 or newer is required. For more information on packs and how to upgrade them, refer to the [MPLAB® X IDE User's guide - Work with Device Packs](#).



Tip: The latest device family packs are available through **Tools > Packs** in MPLAB X IDE or online at [Microchip MPLAB® X Packs Repository](#).

2.3 Design Documentation and Relevant Links

The following list contains links to the most relevant documents and software for the dsPIC33CK64MC105 Curiosity Nano board:

- [MPLAB® X IDE](#) - MPLAB X IDE is a software program that runs on a PC (Windows®, Mac OS®, Linux®) to develop applications for Microchip microcontrollers and digital signal controllers. It is named an Integrated Development Environment (IDE) because it provides a single integrated “environment” to develop code for embedded microcontrollers.
- [MPLAB® XC Compilers](#) - MPLAB® XC16 C Compiler is available as a free, unrestricted-use download. Microchips MPLAB® XC16 C Compiler is a comprehensive solution for your project's software development on Windows®, macOS® or Linux®. MPLAB® XC16 supports all 16-bit PIC® MCUs and dsPIC® Digital Signal Controllers (DSCs).
- [MPLAB® Xpress Cloud-Based IDE](#) - MPLAB Xpress Cloud-Based IDE is an online development environment containing the most popular features of our award-winning MPLAB X IDE. This simplified and distilled application is a faithful reproduction of our desktop-based program, allowing users an easy transition between the two environments.
- [MPLAB® Code Configurator](#) - MPLAB Code Configurator (MCC) is a free software plug-in that provides a graphical interface to configure peripherals and functions specific to your application.
- [Microchip Sample Store](#) - Microchip sample store where one can order samples of devices.
- [MPLAB Data Visualizer](#) - MPLAB Data Visualizer is a program used for processing and visualizing data. The Data Visualizer can receive data from various sources, such as serial ports and the on-board debugger's Data Gateway Interface, as found on Curiosity Nano and Xplained Pro boards.
- [dsPIC33CK64MC105 Curiosity Nano Website](#) - Kit information, latest user guide, and design documentation
- [dsPIC33CK64MC105 Curiosity Nano on Microchip Direct](#) - Purchase this kit on Microchip Direct.

3. Curiosity Nano

Curiosity Nano is an evaluation platform of small boards with low pin count Digital Signal Controller (DSC) boards with on-board debuggers and access to most of the Digital Signal Controller's I/Os. The Curiosity Nano platform offers easy integration with MPLAB X IDE. All boards are identified in the IDE. When connected, a Kit Window appears with links to key documentation, including relevant user guides, application notes, data sheets, and example code. Everything is easy to find. The on-board debugger features a virtual serial port (CDC) for serial communication to a host PC and a Data Gateway Interface (DGI) with debug GPIO pin(s).

3.1 On-Board Debugger Overview

dsPIC33CK64MC105 Curiosity Nano contains an on-board debugger for programming and debugging. The on-board debugger is a composite USB device consisting of several interfaces:

- A debugger that can program and debug the dsPIC33CK64MC105 in MPLAB X IDE
- A mass storage device that allows drag-and-drop programming of the dsPIC33CK64MC105
- A virtual serial port (CDC) that is connected to a Universal Asynchronous Receiver/Transmitter (UART) on the dsPIC33CK64MC105 and provides an easy way to communicate with the target application through terminal software
- A Data Gateway Interface (DGI) for code instrumentation with logic analyzer channels (debug GPIO) to visualize program flow

The on-board debugger controls a Power and Status LED (marked PS) on the dsPIC33CK64MC105 Curiosity Nano board. The table below shows how the different operation modes control the LED.

Table 3-1. On-Board Debugger LED Control

| Operation Mode | Power and Status LED |
|---------------------------|---|
| Boot Loader mode | The LED blinks slowly during power-up. |
| Power-up | The LED is ON. |
| Normal operation | The LED is ON. |
| Programming | The LED blinks slowly during programming/debugging. |
| Drag-and-drop programming | Success: The LED blinks slowly for 2 sec. Failure: The LED blinks rapidly for 2 sec. |
| Fault | The LED blinks rapidly if a power fault is detected. |
| Sleep/Off | The LED is OFF. The on-board debugger is either in a sleep mode or powered down. This can occur if the board is externally powered. |



Info: Slow blinking is approximately 1 Hz, and rapid blinking is about 5 Hz.

3.1.1 Debugger

The on-board debugger on the dsPIC33CK64MC105 Curiosity Nano board appears as a Human Interface Device (HID) on the host computer's USB subsystem. The debugger supports full-featured programming and debugging of the dsPIC33CK64MC105 using MPLAB X IDE.



Remember: Keep the debugger's firmware up-to-date. Firmware upgrades automatically when using MPLAB X IDE.

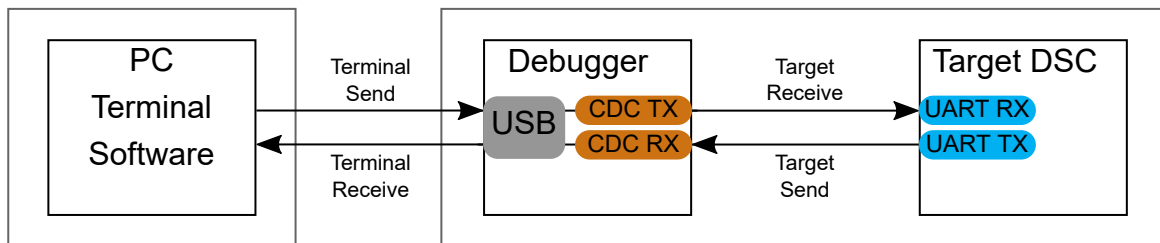
3.1.2 Virtual Serial Port (CDC)

The virtual serial port (CDC) is a general purpose serial bridge between a host PC and a target device.

3.1.2.1 Overview

The on-board debugger implements a composite USB device that includes a standard Communications Device Class (CDC) interface, which appears on the host as a virtual serial port. The CDC can be used to stream arbitrary data in both directions between the host computer and the target: All characters sent through the virtual serial port on the host computer will be transmitted as UART on the debugger's CDC TX pin, and UART characters captured on the debugger's CDC RX pin will be returned to the host computer through the virtual serial port.

Figure 3-1. CDC Connection



Info: As shown in [Figure 3-1](#), the debugger's CDC TX pin is connected to a UART RX pin on the target for receiving characters from the host computer. Similarly, the debugger's CDC RX pin is connected to a UART TX pin on the target for transmitting characters to the host computer.

3.1.2.2 Operating System Support

On Windows® machines, the CDC will enumerate as *Curiosity Virtual COM Port* and appear in the Ports section of the Windows Device Manager. The COM port number can also be found there.



Info: On older Windows systems, the CDC requires a USB driver. The MPLAB X IDE installation includes this driver.

On Linux® machines, the CDC will enumerate and appear as `/dev/ttyACM#`.



Info: `tty*` devices belong to the "dialout" group in Linux, so it may be necessary to become a member of that group to have permission to access the CDC.

On Mac® machines, the CDC will enumerate and appear as `/dev/tty.usbmodem#`. Depending on the terminal program used, it will appear in the available list of modems as `usbmodem#`.



Info: For all operating systems, use a terminal emulator that supports DTR signaling. See [3.1.2.4. Signaling](#).

3.1.2.3 Limitations

Not all UART features are implemented in the on-board debugger CDC. The constraints are outlined here:

- **Baud rate:** Must be in the range of 1200 bps to 500 kbps. Any baud rate outside this range will be set to the closest limit without warning. Baud rate can be changed on-the-fly.
- **Character format:** Only 8-bit characters are supported.
- **Parity:** Can be odd, even, or none.
- **Hardware flow control:** Not supported.
- **Stop bits:** One or two bits are supported.

3.1.2.4 Signaling

During USB enumeration, the host OS will start both the communication and data pipes of the CDC interface. At this point, it is possible to set and read back the baud rate and other UART parameters of the CDC, but data sending and receiving will not be enabled.

The terminal must assert the DTR signal when it connects to the host. As this is a virtual control signal implemented on the USB interface, it is not physically present on the board. Asserting the DTR signal from the host will indicate to the on-board debugger that a CDC session is active. The debugger will enable its level shifters (if available) and start the CDC data send and receive mechanisms.

Deasserting DTR in debugger firmware version 1.20 or earlier has the following behavior:

- Debugger UART receiver is disabled, and no further data will be transferred to the host computer
- Debugger UART transmitter will continue to send queued data ready for transfer, but no new data is accepted from the host computer
- Level shifters (if available) are not disabled, and the debugger CDC TX line remains driven

Deasserting DTR in debugger firmware version 1.21 or later has the following behavior:

- Debugger UART receiver is disabled, and no further data will be transferred to the host computer
- Debugger UART transmitter will continue to send queued data ready for transfer, but no new data is accepted from the host computer
- Once the ongoing transmission is complete, level shifters (if available) are disabled, and the debugger CDC TX line will become high-impedance



Remember: Set up the terminal emulator to assert the DTR signal. Without the signal, the on-board debugger will not send or receive data through its UART.



Tip: The on-board debugger's CDC TX pin will not be driven until the CDC interface is enabled by the host computer. Also, there are no external pull-up resistors on the CDC lines connecting the debugger and the target, which means that the lines are floating during power-up. The target device may enable the internal pull-up resistor on the pin connected to the debugger's CDC TX pin to avoid glitches resulting in unpredictable behavior like framing errors.

3.1.2.5 Advanced Use

CDC Override Mode

In normal operation, the on-board debugger is a true UART bridge between the host and the device. However, in certain use cases, the on-board debugger can override the basic operating mode and use the CDC TX and RX pins for other purposes.

Dropping a text file into the on-board debugger's mass storage drive can be used to send characters out of the debugger's CDC TX pin. The filename and extension are trivial, but the text file must start with the characters:

```
CMD:SEND_UART=
```

Debugger firmware version 1.20 or earlier has the following limitations:

- The maximum message length is 50 characters – all remaining data in the frame are ignored
- The default baud rate used in this mode is 9600 bps, but if the CDC is already active or has been configured, the previously used baud rate still applies

Debugger firmware version 1.21 and later has the following limitations/features:

- The maximum message length may vary depending on the MSC/SCSI layer timeouts on the host computer and/or operating system. A single SCSI frame of 512 bytes (498 characters of payload) is ensured, and files of up to 4 KB will work on most systems. The transfer will complete on the first NULL character encountered in the file.
- The baud rate used is always 9600 bps for the default command:

```
CMD:SEND_UART=
```

- Do not use the CDC override mode simultaneously with data transfer over the CDC/terminal. If a CDC terminal session is active at the time a file is received via CDC Override mode, it will be suspended for the duration of the operation and resumed once complete.
- Additional commands are supported with explicit baud rates:

```
CMD:SEND_9600=
```

```
CMD:SEND_115200=
```

```
CMD:SEND_460800=
```

USB-Level Framing Considerations

Sending data from the host to the CDC can be done byte-wise or in blocks, which will be chunked into 64-byte USB frames. Each such frame will be queued up for sending to the debugger's CDC TX pin. Transferring a small amount of data per frame can be inefficient, particularly at low baud rates, as the on-board debugger buffers frames and not bytes. A maximum of four 64-byte frames can be active at any time. The on-board debugger will throttle the incoming frames accordingly. Sending full 64-byte frames containing data is the most efficient method.

When receiving data on the debugger's CDC RX pin, the on-board debugger will queue up the incoming bytes into 64-byte frames, which are sent to the USB queue for transmission to the host when they are full. Incomplete frames are also pushed to the USB queue at approximately 100 ms intervals, triggered by USB start-of-frame tokens. Up to eight 64-byte frames can be active at any time.

If the host (or the software running on it) fails to receive data fast enough, an overrun will occur. When this happens, the last-filled buffer frame will be recycled instead of being sent to the USB queue, and a full data frame will be lost. To prevent this occurrence, the user must ensure that the CDC data pipe is being read continuously, or the incoming data rate must be reduced.

3.1.3 Mass Storage Device

The on-board debugger includes a simple Mass Storage Device implementation, which is accessible for read/write operations via the host operating system to which it is connected.

It provides:

- Read access to basic text and HTML files for detailed kit information and support

- Write access for programming Intel® HEX formatted files into the target device's memory
- Write access for simple text files for utility purposes

3.1.3.1 Mass Storage Device Implementation

The on-board debugger implements a highly optimized variant of the FAT12 file system having several limitations, partly due to the nature of FAT12 itself and optimizations made to fulfill its purpose for its embedded application.

The Curiosity Nano USB device is USB Chapter 9-compliant as a mass storage device but does not, in any way, fulfill the expectations of a general purpose mass storage device. This behavior is intentional.

When using the Windows operating system, the on-board debugger enumerates as a Curiosity Nano USB Device found in the disk drives section of the device manager. The CURIOSITY drive appears in the file manager and claims the following available drive letter in the system.

The CURIOSITY drive contains approximately one MB of free space and does not reflect the target device's Flash size. When programming an Intel HEX file, the binary data are encoded in ASCII with metadata providing a large overhead, so 1 MB is a trivially chosen value for disk size.

It is not possible to format the CURIOSITY drive. The filename may appear in the disk directory listing when programming a file to the target, which is merely the operating system's view of the directory that, in reality, has not been updated. It is not possible to read out the file contents. Removing and replugging the board will return the file system to its original state, but the target will still contain the previously programmed application.

Copy a text file starting with "CMD:ERASE" onto the disk to erase the target device.

By default, the CURIOSITY drive contains several read-only files for generating icons as well as reporting status and linking to further information:

- AUTORUN.ICO – icon file for the Microchip logo
- AUTORUN.INF – system file required for Windows Explorer to show the icon file
- KIT-INFO.HTM – redirect to the development board website
- KIT-INFO.TXT – a text file containing details about the board's debugger firmware version, board name, USB serial number, device, and drag-and-drop support
- STATUS.TXT – a text file containing the programming status of the board



Info: STATUS.TXT is dynamically updated by the on-board debugger. The contents may be cached by the OS and, therefore, may not reflect the correct status.

3.1.3.2 Configuration Words

Configuration Words (PIC® MCU Targets)

Configuration Word settings are included in the project after Flash is programmed. The debugger will not mask out any bits in the Configuration Words when writing them. For example, if the incorrect clock source is selected and the board does not boot, it is always possible to perform a bulk erase (always done before programming) and restore the device to its default settings.

3.1.3.3 Special Commands

Several utility commands are supported by copying text files to the mass storage disk. The filename or extension is irrelevant – the command handler reacts to content only.

Table 3-2. Special File Commands

| Command Content | Description |
|-----------------|--|
| CMD:ERASE | Executes a chip erase of the target. |
| CMD:SEND_UART= | Sends a string of characters to the CDC UART. See " CDC Override Mode. " |

.....continued

| Command Content | Description |
|--|--|
| CMD:SEND_9600= CMD:SEND_115200= CMD:SEND_460800= | Sends a string of characters to the CDC UART at the specified baud rate. Note that only the baud rates explicitly specified here are supported. See “ CDC Override Mode .” (Debugger firmware v1.25.6 or newer.) |
| CMD:RESET | Resets the target device by entering Programming mode and exiting Programming mode immediately afterward. The exact timing can vary according to the programming interface of the target device. (Debugger firmware v1.25.6 or newer.) |
| CMD:POWERTOGGLE | Powers down the target and restores it after a 100 ms delay. If external power is provided, this has no effect. (Debugger firmware v1.25.6 or newer.) |
| CMD:0V | Powers down the target device by disabling the target supply regulator. If external power is provided, this has no effect. (Debugger firmware v1.25.6 or newer.) |
| CMD:1V8 | Sets the target voltage to 1.8V. If external power is provided, this has no effect. (Debugger firmware v1.25.6 or newer.) |
| CMD:3V3 | Sets the target voltage to 3.3V. If external power is provided, this has no effect. (Debugger firmware v1.25.6 or newer.) |



Info: The content sent to the mass storage emulated disk triggers the commands listed here and provides no feedback in the case of either success or failure.

3.1.4 Data Gateway Interface (DGI)

Data Gateway Interface (DGI) is a USB interface for transporting raw and timestamped data between on-board debuggers and host computer-based visualization tools. [MPLAB Data Visualizer](#) is used on the host computer to display any debug GPIO data. It is available as a plug-in for MPLAB X IDE or a stand-alone application that can be used in parallel with MPLAB® X IDE.

Although DGI encompasses several physical data interfaces, the dsPIC33CK64MC105 Curiosity Nano implementation includes logic analyzer channels:

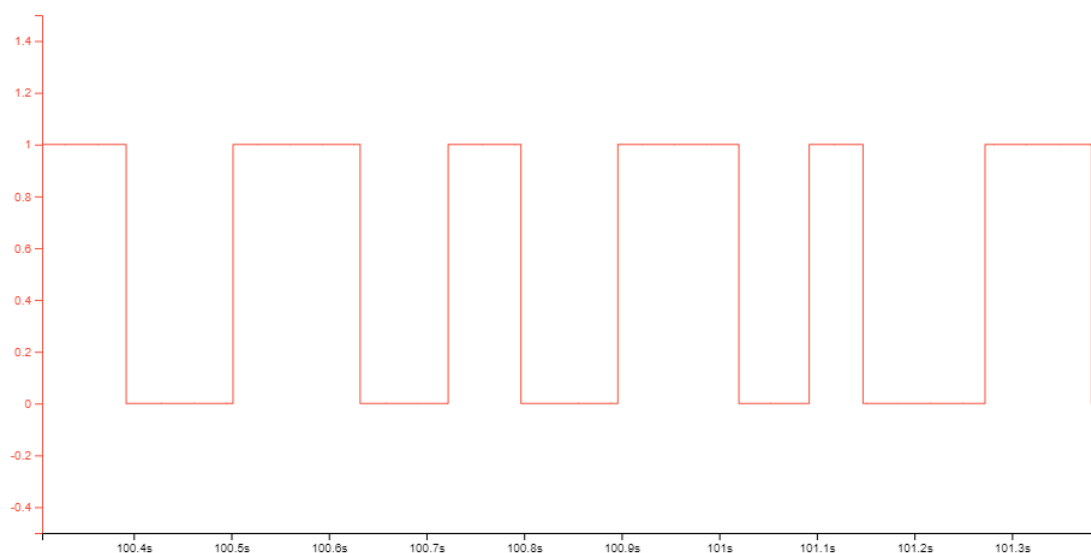
- One debug GPIO channel (also known as DGI GPIO)

3.1.4.1 Debug GPIO

Debug GPIO channels are timestamped digital signal lines connecting the target application to a host computer visualization application. They are typically used to plot low-frequency events on a time axis, such as when given Application state transitions occur.

The figure below shows the monitoring of the Digital state of a mechanical switch connected to a debug GPIO in MPLAB Data Visualizer.

Figure 3-2. Monitoring Debug GPIO with MPLAB Data Visualizer



Debug GPIO channels are timestamped, so the resolution of DGI GPIO events is determined by the resolution of the DGI Timestamp module.



Important: Although signal bursts of higher frequency can be captured, the frequency range of signals for which debug GPIO can be used is up to about 2 kHz. Attempting to capture signals above this frequency will result in data saturation and overflow, which may cause the DGI session to be aborted.

3.1.4.2 Timestamping

DGI sources are timestamped when they are captured by the debugger. The timestamp counter implemented in the Curiosity Nano debugger increments at a 2 MHz frequency, providing a timestamp resolution of a half microsecond.

3.2 Curiosity Nano Standard Pinout

The 12 edge connections closest to the USB connector on Curiosity Nano boards have a standardized pinout. The program/debug pins have different functions depending on the target programming interface, as shown in the table and figure below.

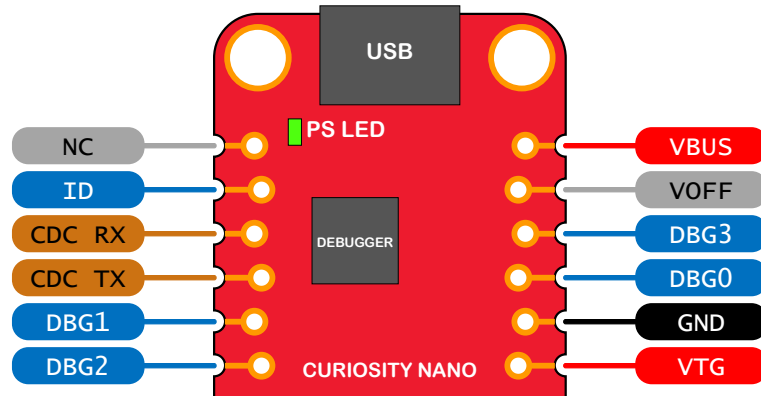
Table 3-3. Curiosity Nano Standard Pinout

| Debugger Signal | Target MCU | Description |
|-----------------|------------|------------------------|
| ID | — | ID line for extensions |
| CDC TX | UART RX | USB CDC TX line |
| CDC RX | UART TX | USB CDC RX line |
| DBG0 | ICSPDAT | Debug data line |
| DBG1 | ICSPCLK | Debug clock line |
| DBG2 | GPIO0 | Debug GPIO0 |
| DBG3 | MCLR | Reset line |
| NC | — | No connect |

.....continued

| Debugger Signal | Target MCU | Description |
|------------------|------------|--|
| V _{BUS} | — | V _{BUS} voltage for external use |
| VOFF | — | Voltage Off input. Disables the target regulator and target voltage when pulled low. |
| VTG | — | Target voltage |
| GND | — | Common ground |

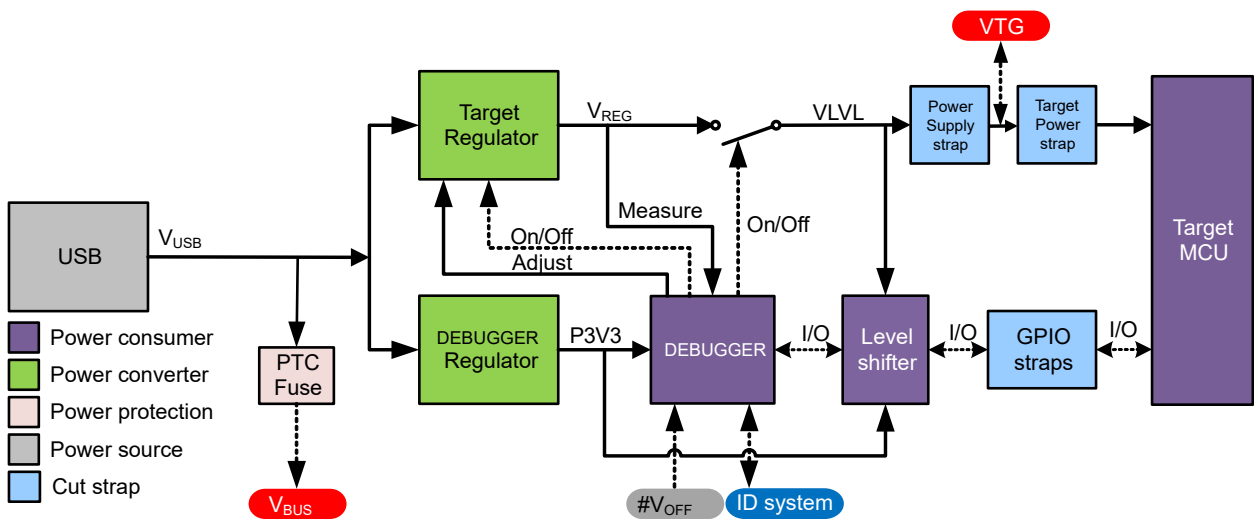
Figure 3-3. Curiosity Nano Standard Pinout



3.3 Power Supply

The USB port powers the board. It contains two LDO regulators, one to generate 3.3V for the on-board debugger and an adjustable LDO regulator for the target dsPIC33CK64MC105 Digital Signal Controller and its peripherals. The voltage from a USB connector can vary between 4.4V and 5.25V (according to the USB specification) and will limit the maximum voltage supplied to the target. The figure below shows the entire power supply system on dsPIC33CK64MC105 Curiosity Nano.

Figure 3-4. Power Supply Block Diagram



3.3.1 Target Regulator

The target voltage regulator is a MIC5353 variable output LDO. The on-board debugger can adjust the voltage output supplied to the board target section by manipulating the MIC5353's feedback voltage. The hardware implementation

is limited to an approximate voltage range from 1.7V to 5.1V. Additional output voltage limits are configured in the debugger firmware to ensure that the output voltage never exceeds the hardware limits of the dsPIC33CK64MC105 Digital Signal Controller. The voltage limits configured in the on-board debugger on dsPIC33CK64MC105 Curiosity Nano are 3.0–3.6V.



Info: The target voltage is set to 3.3V when the board is manufactured. It can be changed through the MPLAB X IDE project properties. Any change to the target voltage is persistent, even after a power toggle. The resolution is less than 5 mV but may be limited to 10 mV by the adjustment program.



Info: The voltage settings setup in MPLAB X IDE is not applied immediately to the board. The new voltage setting is applied to the board when accessing the debugger, like pushing the Refresh Debug Tool Status button in the project dashboard tab or programming/reading program memory.

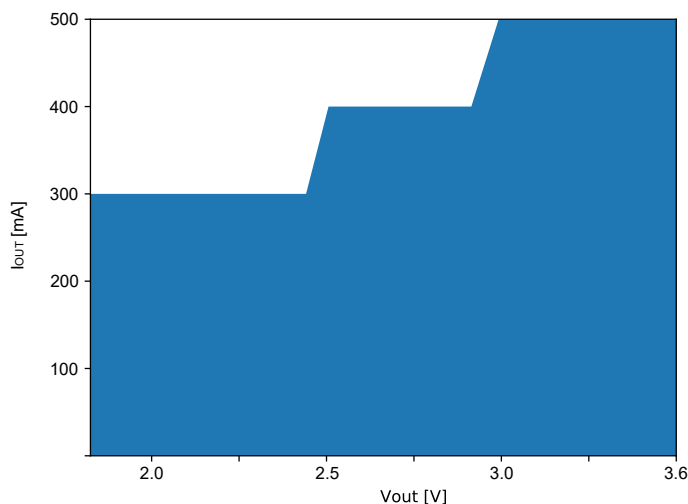


Info: There is an easy option to adjust the target voltage with a drag-and-drop command text file to the board, which supports a set of common target voltages. See section 3.1.3.3. [Special Commands](#) for further details.

Note: Max input voltage of dsPIC33CK64MC105 should never exceed 3.6V. Exceeding the max input could cause permanent damage to the device.

The MIC5353 supports a maximum current load of 500 mA. It is an LDO regulator in a small package, placed on a small printed circuit board (PCB), and the thermal shutdown condition can be reached at lower loads than 500 mA. The maximum current load depends on the input voltage, the selected output voltage, and the ambient temperature. The figure below shows the safe operating area for the regulator, with an input voltage of 5.1V and an ambient temperature of 23°C.

Figure 3-5. Target Regulator Safe Operation Area



The voltage output of the target regulator is continuously monitored (measured) by the on-board debugger. If it is more than 100 mV over/under the set device voltage, an error condition will be flagged, and the target voltage regulator will be switched off, detecting and handling any short-circuit conditions. It will also detect and handle if an external voltage, which causes V_{CC_TARGET} to move outside the voltage setting monitoring window of ± 100 mV, is suddenly applied to the VTG pin without setting the V_{OFF} pin low.



Info: The on-board debugger has a monitoring window of $V_{CC_TARGET} \pm 100$ mV. The on-board debugger status LED will blink rapidly if the external voltage is under this limit. The on-board debugger status LED will continue to shine if the external voltage is above this limit. When removing the external voltage, the status LED will start blinking rapidly until the on-board debugger detects the new situation and turns the target voltage regulator back on.

3.3.2 External Supply

Instead of the on-board target regulator, an external voltage can power the dsPIC33CK64MC105 Curiosity Nano. When shorting the Voltage Off (VOFF) pin to the ground (GND) pin, the on-board debugger firmware disables the target regulator, and it is safe to apply an external voltage to the VTG pin.

It is also safe to apply an external voltage to the VTG pin when no USB cable is plugged into the DEBUG connector on the board.

The VOFF pin can be tied low/let go at any time, which will be detected by a pin-change interrupt to the on-board debugger, which controls the target voltage regulator accordingly.



Applying an external voltage to the VTG pin without shorting VOFF to GND may cause permanent damage to the board.



Do not apply any voltage to the VOFF pin. Let the pin float to enable the power supply.



The absolute maximum external voltage is 5.5V for the on-board level shifters, and the standard operating condition of the dsPIC33CK64MC105 is 3.0–3.6V. Applying a higher voltage may cause permanent damage to the board.



Info: If an external voltage is applied without pulling the VOFF pin low and an external supply pulls the voltage lower than the monitoring window's lower limit (target voltage setting – 100 mV), the on-board debugger status LED will blink rapidly and shut the on-board regulator off. If an external voltage is suddenly removed when the VOFF pin is not pulled low, the status LED will start to blink rapidly until the on-board debugger detects the new situation and switches the target voltage regulator back on.

Programming, debugging, and data streaming are still possible with an external power supply. The USB cable will power the debugger and signal level shifters. Both regulators, the debugger, and the level shifters are powered down when the USB cable is removed.

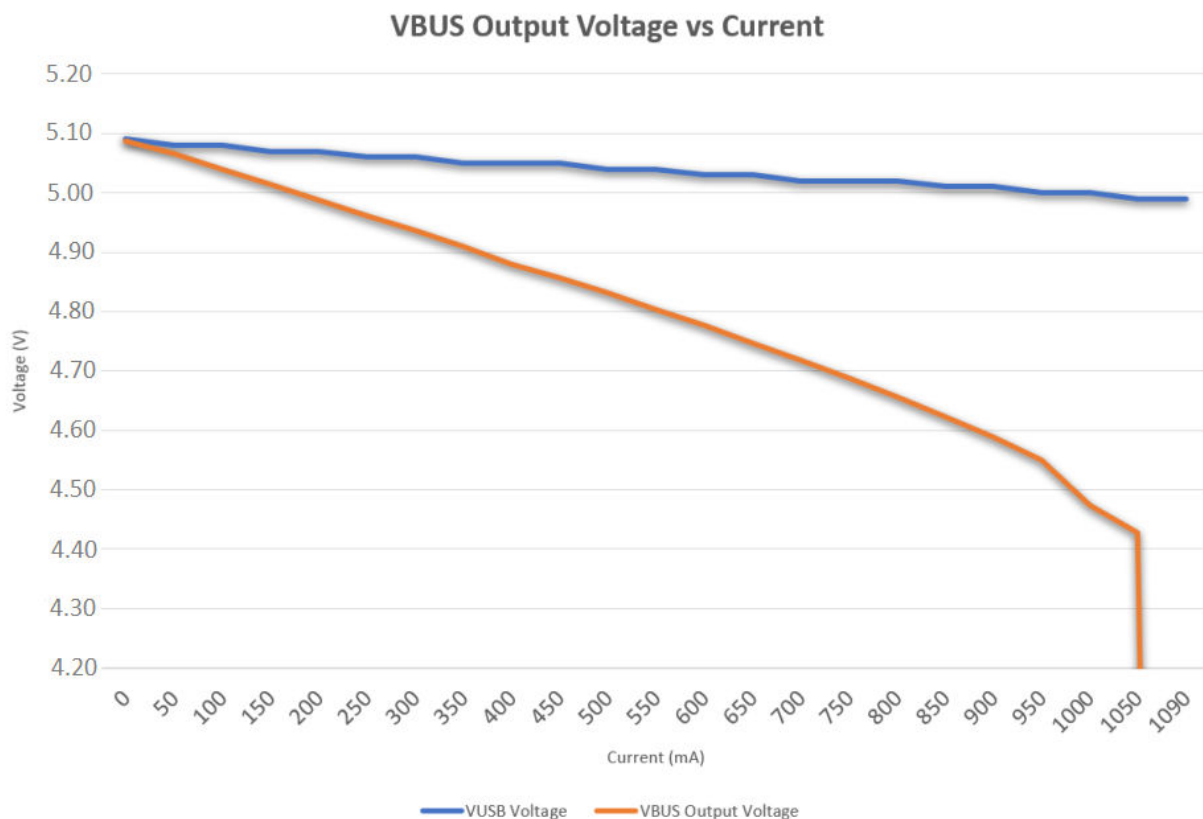


Info: In addition to the power consumed by the dsPIC33CK64MC105 and its peripherals, approximately 100 μ A will be drawn from any external power source to power the on-board level shifters and voltage monitor circuitry when a USB cable is plugged into the DEBUG connector on the board. When a USB cable is not plugged in, some current is used to supply the level shifter's voltage pins, which have a worst-case current consumption of approximately 5 μ A. Typical values may be as low as 100 nA.

3.3.3 VBUS Output Pin

dsPIC33CK64MC105 Curiosity Nano has a VBUS output pin that can be used to power external components that need a 5V supply. The VBUS output pin has a PTC fuse to protect the USB against short circuits. A side effect of the PTC fuse is a voltage drop on the VBUS output with higher current loads. The chart below shows the voltage versus the current load of the VBUS output.

Figure 3-6. VBUS Output Voltage vs. Current



3.3.4 Power Supply Exceptions

This chapter sums up most exceptions that can occur with the power supply.

Target Voltage Shuts Down

Not reaching the target voltage setting can happen if the target section draws too much current at a given voltage and cause the thermal shutdown safety feature of the MIC5353 regulator to kick in. To avoid this, reduce the current load of the target section.

Target Voltage Setting is Not Reached

The USB input voltage (specified to be 4.4V-5.25V) limits the maximum output voltage of the MIC5353 regulator at a given voltage setting and current consumption. If a higher output voltage is needed, use a USB power source that can provide a higher input voltage or use an external voltage supply on the VTG pin.

Target Voltage is Different From Setting

An externally applied voltage to the VTG pin without setting the VOFF pin low can cause this. If the target voltage differs more than 100 mV over/under the voltage setting, the on-board debugger will detect it, and the internal voltage regulator will shut down. To fix this issue, remove the applied voltage from the VTG pin, and the on-board debugger will enable the on-board voltage regulator when the new condition is detected. Note that the PS LED will blink rapidly if the target voltage is below 100 mV of the setting but will ordinarily turn on when higher than 100 mV above the setting.

No, Or Very Low Target Voltage, and PS LED is Blinking Rapidly

A full or partial short circuit can cause this and is a particular case of the issue mentioned above. Remove it, and the on-board debugger will re-enable the on-board target voltage regulator.

No Target Voltage and PS LED is Lit 1

This occurs if the target voltage is set to 0.0V. To fix this, set the target voltage to a value within the specified voltage range for the target device.

No Target Voltage and PS LED is Lit 2

This can be the issue if power jumper J100 and/or J101 is cut, and the target voltage regulator is set to a value within the specified voltage range for the target device. To fix this, solder a wire/bridge between the pads for J100/J101, or add a jumper on J101 if a pin-header is mounted.

V_{BUS} Output Voltage is Low or Not Present

If the V_{BUS} output voltage is low or missing, the reason is probably a high-current drain on V_{BUS}, and the protection fuse (PTC) will reduce the current or cut off completely. Reduce the current consumption on the V_{BUS} pin to fix this issue.

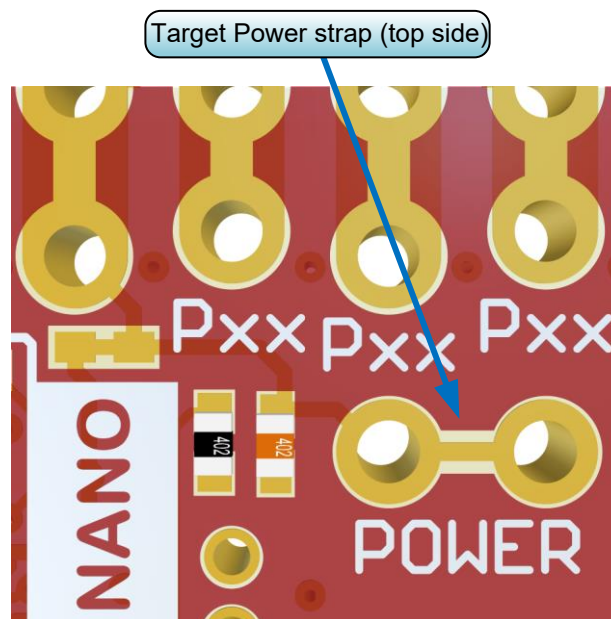
3.4 Low-Power Measurement

Power to the dsPIC33CK64MC105 is connected from the on-board power supply and VTG pin through a 100 mil pin-header marked with "POWER" in silkscreen (J101). To measure the power consumption of the dsPIC33CK64MC105 and other peripherals connected to the board, cut the *Target Power strap* and connect an ammeter over the strap.

To measure the lowest possible power consumption, follow these steps:

1. Cut the POWER strap with a sharp tool.
2. Solder a 1x2 100 mil pin-header in the footprint.
3. Connect an ammeter to the pin header.
4. Write firmware that:
 - a. Tri-states any I/O connected to the on-board debugger.
 - b. Sets the Digital Signal Controller in its lowest Power sleep mode.
5. Program the firmware into the dsPIC33CK64MC105.

Figure 3-7. Target Power Strap





Tip: A 100-mil pin-header can be soldered into the *Target Power strap* (J101) footprint for a simple connection of an ammeter. Place a jumper cap on the pin-header once the ammeter is no longer needed.



Info: The on-board level shifters will draw a small amount of current even when not used. Maximum 2 μA can be drawn from each I/O pin connected to a level shifter, the worst case maximum for the 5 on-board level shifters is therefore 10 μA . Keep any I/O pin connected to a level shifter in tri-state to prevent leakage. All I/Os connected to the on-board debugger are listed in [4.2.4.1. On-Board Debugger Connections](#). The on-board level shifters can be completely disconnected to prevent leakage, as described in [7.4. Disconnecting the On-Board Debugger](#).

3.5 Programming External Digital Signal Controllers

The on-board debugger on dsPIC33CK64MC105 Curiosity Nano can be used to program and debug Digital Signal Controllers on external hardware.

3.5.1 Supported Devices

All external AVR microcontrollers with the UPDI interface can be programmed and debugged with the on-board debugger with Microchip Studio.

External SAM microcontrollers having a Curiosity Nano Board can be programmed and debugged with the on-board debugger with Microchip Studio.

dsPIC33CK64MC105 Curiosity Nano can program and debug external dsPIC33CK64MC105 microcontrollers with MPLAB X IDE.

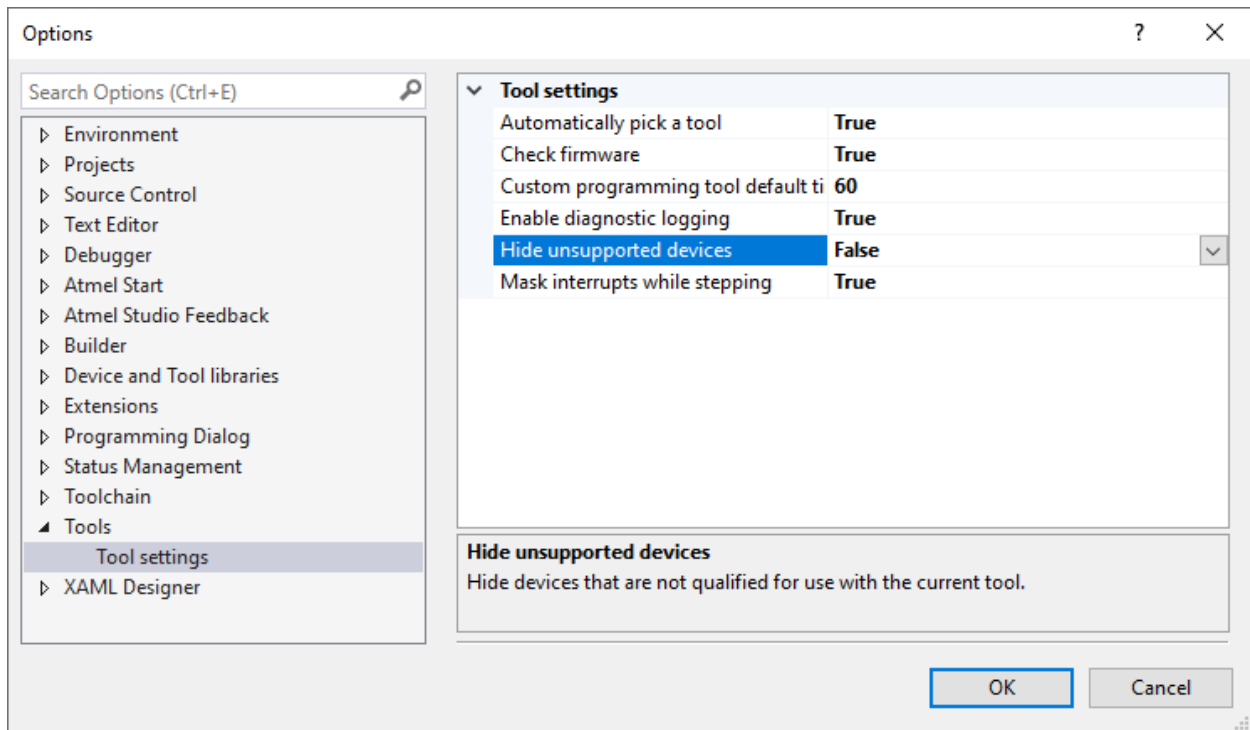
3.5.2 Software Configuration

No software configuration is required to program and debug the same device mounted on the board.

To program and debug a different digital signal controller than the one mounted on the board, configure Microchip Studio to allow an independent selection of devices and programming interfaces.

1. Navigate to **Tools > Options** through the menu system at the top of the application.
2. Select the **Tools > Tool settings** category in the options window.
3. Set the **Hide unsupported devices** option to **False**.

Figure 3-8. Hide Unsupported Devices

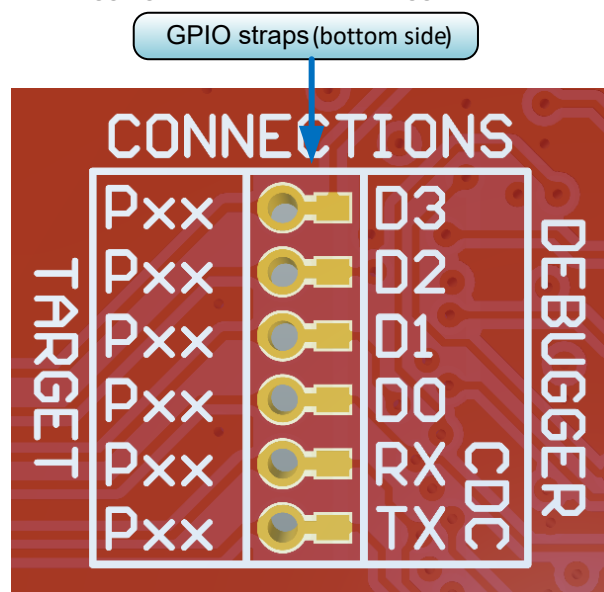


Info: Microchip Studio allows any digital signal controller and interface to be selected when the **Hide unsupported devices** setting is set to **False**, including digital signal controllers and interfaces not supported by the on-board debugger.

3.5.3 Hardware Modifications

The on-board debugger is connected to the dsPIC33CK64MC105 by default. Remove these connections before any external microcontroller can be programmed or debugged. Cut the *GPIO straps* shown in the figure below with a sharp tool to disconnect the dsPIC33CK64MC105 from the on-board debugger.

Figure 3-9. Programming and Debugging Connections to Debugger



Info: Cutting the connections to the debugger will disable programming, debugging, and data streaming from the dsPIC33CK64MC105 mounted on the board.



Tip: Solder 0Ω resistors across the footprints or short circuit them with solder to reconnect the signals between the on-board debugger and the dsPIC33CK64MC105.

3.5.4 Connecting to External Microcontrollers

The figure and table below show where to connect the programming and debugging signals to program and debug external microcontrollers. The on-board debugger can supply power to the external hardware or use an external voltage as a reference for its level shifters. Read more about the power supply in [3.3. Power Supply](#).

The on-board debugger and level shifters actively drive data and clock signals used for programming and debugging (DBG0, DBG1, and DBG2). Pull-down resistors are required on the ICSP™ data and clock signals to debug PIC® microcontrollers. All other interfaces are functional with or without pull-up or pull-down resistors.

DBG3 is an open-drain connection and requires a pull-up resistor to function.

dsPIC33CK64MC105 Curiosity Nano has pull-down resistors R201 and R204 connected to the ICSP data and clock signal (DBG0 and DBG1). There is also a pull-up resistor R205 connected to the \overline{MCLR} signal (DBG3). The location of pull resistors is shown in [7.2. Assembly Drawing](#) in the appendix.



Remember:

- Connect GND and VTG to the external microcontroller
- Tie the VOFF pin to GND if the external hardware has a power supply
- Make sure there are pull-down resistors on the ICSP data and clock signals (DBG0 and DBG1) to support the debugging of PIC microcontrollers

Figure 3-10. Curiosity Nano Standard Pinout

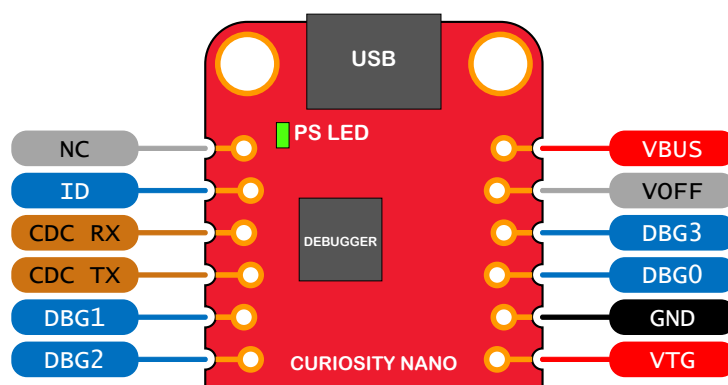


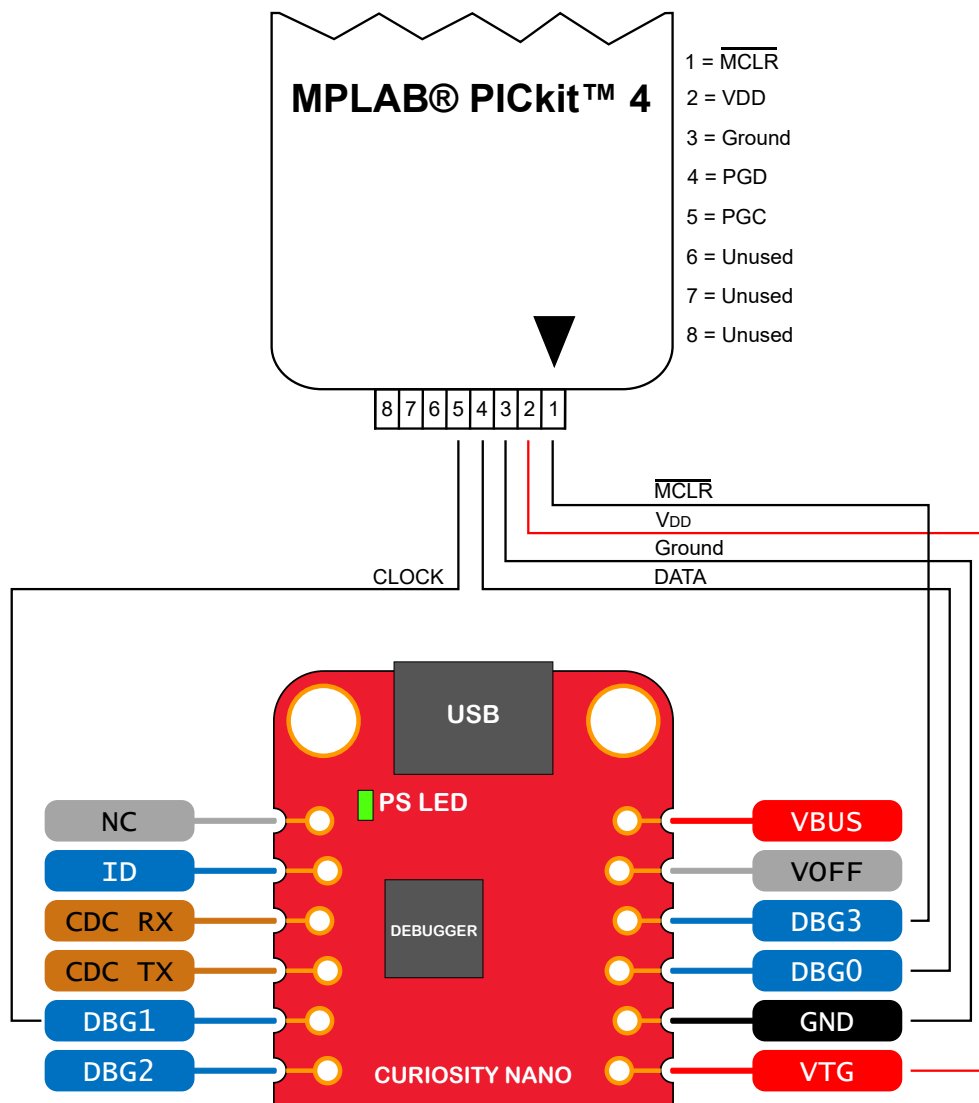
Table 3-4. Programming and Debugging Interfaces

| Curiosity Nano Pin | UPDI | ICSP™ | SWD |
|--------------------|------|-------|-------|
| DBG0 | UPDI | DATA | SWDIO |
| DBG1 | — | CLK | SWCLK |
| DBG2 | — | — | — |
| DBG3 | — | MCLR | RESET |

3.6 Connecting External Debuggers

Even though there is an on-board debugger, external debuggers can be connected directly to the dsPIC33CK64MC105 Curiosity Nano to program/debug the dsPIC33CK64MC105. When not actively used, the on-board debugger keeps all the pins connected to the dsPIC33CK64MC105 and board edge in tri-state. Therefore, the on-board debugger will not interfere with any external debug tools.

Figure 3-11. Connecting the MPLAB® PICKit™ 4 In-Circuit Debugger/Programmer to dsPIC33CK64MC105 Curiosity Nano



The MPLAB® PICKit™ 4 In-circuit Debugger/Programmer can deliver high voltage on the $\overline{\text{MCLR}}$ pin. High voltage can permanently damage R110. If R110 is broken, the on-board debugger cannot enter the programming mode of the dsPIC33CK64MC105 and will typically fail at reading the device ID.



To avoid contention between the external debugger and the on-board debugger, do not start any programming/debug operation with the on-board debugger through MPLAB® X IDE or mass storage programming while the external tool is active.

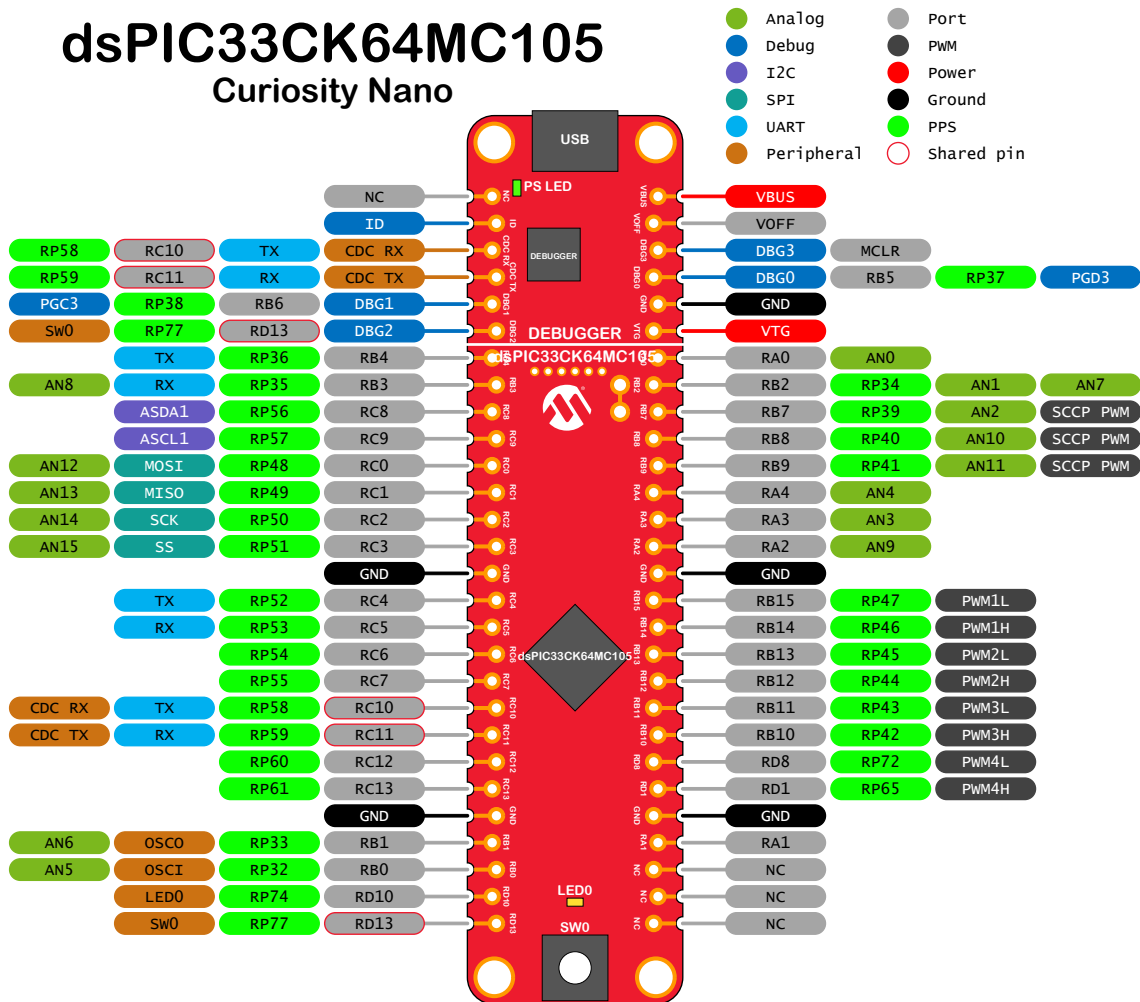
4. Hardware User Guide

4.1 Connectors

4.1.1 dsPIC33CK64MC105 Curiosity Nano Pinout

All the dsPIC33CK64MC105 I/O pins are accessible at the edge connectors on the board. The image below shows the board pinout.

Figure 4-1. dsPIC33CK64MC105 Curiosity Nano Pinout



Info: Peripheral signals shown in the image above, such as UART, I²C, SPI, ADC, PWM, and others, are shown at specific pins to comply with the Curiosity Nano Board standard. These signals can usually be routed to alternate pins using the Peripheral Pin Select (PPS) feature in the dsPIC33CK64MC105.

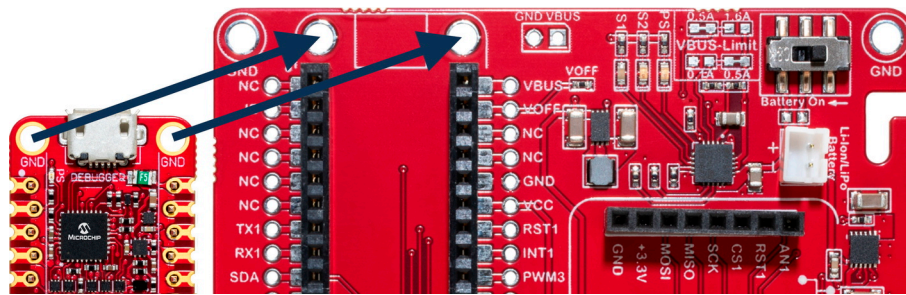
4.1.2 Using Pin-Headers

The edge connector footprint on dsPIC33CK64MC105 Curiosity Nano has a staggered design where each hole is shifted 8 mil (~0.2 mm) off-center. The hole shift allows regular 100 mil pin-headers to be used without soldering on the board. The pin-headers can be used in applications like pin sockets and prototyping boards without issues once they are firmly in place.

Figure 4-2. Attaching Pin-Headers to the Curiosity Nano Board



Figure 4-3. Connecting to Curiosity Nano Base for Click boards



Tip: Start at one end of the pin-header and gradually insert the header along the length of the board. Once all the pins are in place, use a flat surface to push them in.



Tip: For applications where the pin-headers will be used permanently, it is still recommended to solder them in place.



Important: Once the pin-headers are in place, they are hard to remove by hand. Use a set of pliers and carefully remove the pin-headers to avoid damage to the pin-headers and PCB.

4.2 Peripherals

4.2.1 LED

One yellow user LED is available on the dsPIC33CK64MC105 Curiosity Nano board. It can be controlled by either GPIO or PWM. Driving the connected I/O line to GND can also activate the LED.

Table 4-1. LED Connection

| dsPIC33CK64MC105 Pin | Function | Shared Functionality |
|----------------------|-------------|----------------------|
| RD10 | Yellow LED0 | Edge connector |

4.2.2 Mechanical Switch

The dsPIC33CK64MC105 Curiosity Nano board has one mechanical switch - a generic user-configurable switch. Pressing it will connect the I/O pin to ground (GND).



Tip: There is no externally connected pull-up resistor on the switch. The internal pull-up resistor on pin RD13 must be enabled to use the switch.

Table 4-2. Mechanical Switch

| dsPIC33CK64MC105 Pin | Description | Shared Functionality |
|----------------------|-------------------|-----------------------------------|
| RD13 | User switch (SW0) | Edge connector, On-board debugger |

4.2.3 Crystal

The dsPIC33CK64MC105 Curiosity Nano is provisioned for an 8 MHz crystal. The crystal is not connected to the dsPIC33CK64MC105 by default because the GPIOs are routed out to the edge connector. To use the crystal, some hardware modifications are required. The crystal Y201 (Abracon ABM3B-8.000MHZ-10-1-U-T), and the capacitors C206, C207 (Murata GJM1555C1H100JB01D) or comparable parts, must be mounted on the board. The two I/O lines routed to the edge connector should be disconnected to reduce the chance of contention to the crystal, and to remove excessive capacitance on the lines. This can be done by cutting the two straps on the bottom side of the board, marked RB0 and RB1 as shown in Figure 4-4. Next, add solder to each of the circular solder points next to the crystal on the top side of the board as shown in Figure 4-5.

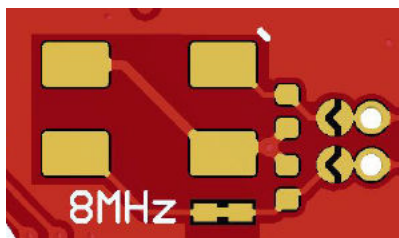
Table 4-3. Crystal I/O

| dsPIC33CK64MC105 | Function | Shared Functionality |
|------------------|----------|----------------------|
| RB0 | OSCI | Edge connector |
| RB1 | OSCO | Edge connector |

Figure 4-4. RBO and RB1



Figure 4-5. Circular Solder Point Locations



4.2.4 On-Board Debugger Implementation

dsPIC33CK64MC105 Curiosity Nano features an on-board debugger that can be used to program and debug the dsPIC33CK64MC105 using UPDI / ICSP. The on-board debugger also includes a virtual serial port (CDC) interface

over UART and debug GPIO. MPLAB® X IDE can be used as a front-end for the on-board debugger for programming and debugging. [MPLAB Data Visualizer](#) can be used as a front-end for the CDC and debug GPIO.

4.2.4.1 On-Board Debugger Connections

The table below shows the connections between the target and the debugger section. All the connections between the target and the debugger are tri-stated when the debugger is not using the interface. Hence, there are few contaminations of the signals, e.g., the pins can be configured to anything the user wants.

For further information on how to use the capabilities of the on-board debugger, see [3.1. On-Board Debugger Overview](#).

Table 4-4. On-Board Debugger Connections

| dsPIC33CK64MC105 Pin | Debugger Pin | Function | Shared Functionality |
|----------------------|--------------|------------------------------------|--------------------------------|
| RC11 | CDC TX | UART RX (dsPIC33CK64MC105 RX line) | Edge connector |
| RC10 | CDC RX | UART TX (dsPIC33CK64MC105 TX line) | Edge connector |
| RB5 | DBG0 | PGD3 | Edge connector |
| RB6 | DBG1 | PGC3 | Edge connector |
| RD13 | DBG2 | SW0/GPIO | Edge connector |
| MCLR | DBG3 | MCLR | Edge connector |

5. Hardware Revision History and Known Issues

This user guide provides information about the latest available revision of the board. The following sections contain information about known issues, a revision history of older revisions, and how older revisions differ from the latest revision.

5.1 Identifying Product ID and Revision

There are two ways to find the revision and product identifier of the dsPIC33CK64MC105 Curiosity Nano: Either by utilizing the MPLAB X IDE Kit Window or by looking at the sticker on the bottom of the PCB.

The Kit Window will pop up when connecting dsPIC33CK64MC105 Curiosity Nano to a computer with MPLAB X IDE running. The first six digits of the serial number, listed under kit information, contain the product identifier and revision.



Tip: If closed, the Kit Window can be opened in MPLAB X IDE through the menu bar **Window > Kit Window**.

The same information is found on the sticker on the bottom side of the PCB. Most boards will have the identifier, revision, serial number, and manufacturing date printed in plain text as 02-nnnn\rr SN: mmmsssss [Manufacturing date], where "nnnn" is the identifier, "rr" is the revision, "mmm" is the manufacturer, and "sssss" is the serial number.

The serial number string has the following format:

```
"nnnnnnrrmmsssss"
```

n = product identifier

r = revision

m = manufacturer

s = serial number

The product identifier for dsPIC33CK64MC105 Curiosity Nano is 02-00236.

5.2 Revision 2

Revision 2 is the initially released version.

6. Document Revision History

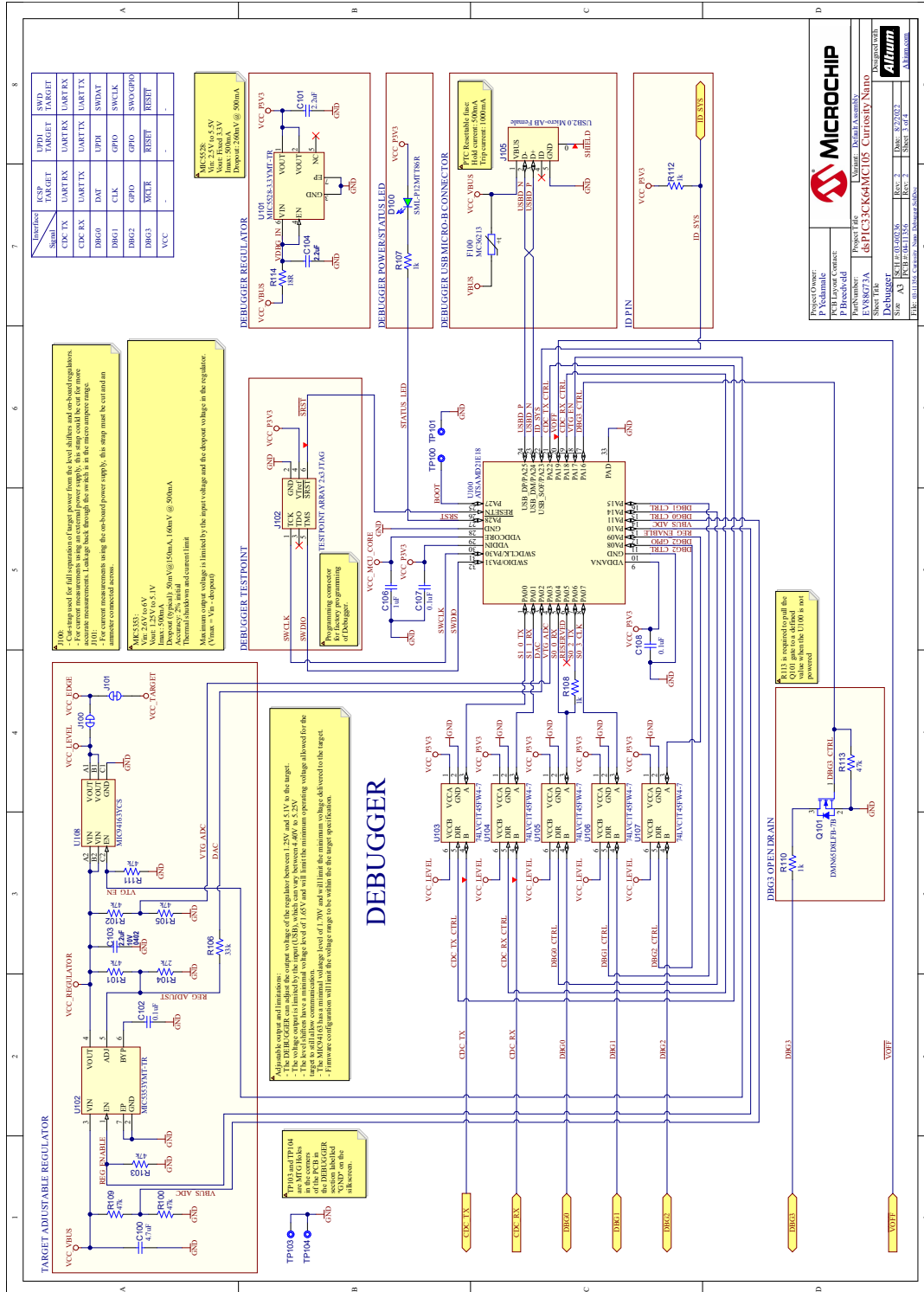
Revision A (September 2022)

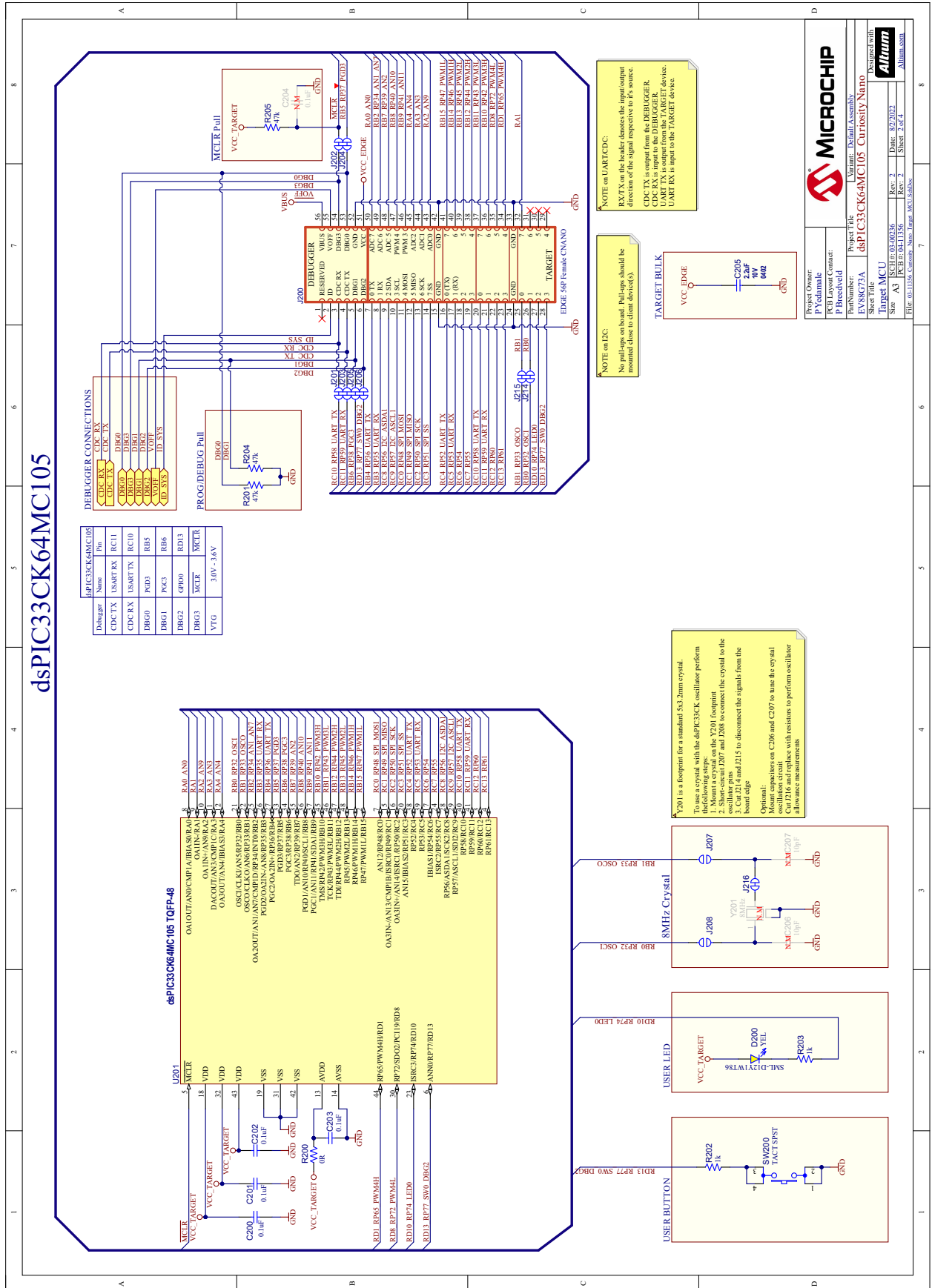
This is the initial version of the document.

7. Appendix

7.1 Schematic

Figure 7-1. dsPIC33CK64MC105 Curiosity Nano Schematic



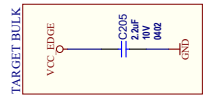


dsPIC33CK64MC105

| Debugger | Name | Pin |
|----------|-------------|------|
| CDC TX | USART TX | RC11 |
| CDC RX | USART RX | RC10 |
| DBG0 | PCB3 | RB5 |
| DBG1 | PCB3 | RB6 |
| DBG2 | CPB3 | RD13 |
| DBG3 | MCLR | MCLR |
| VTTG | 3.0V - 3.6V | |

NOTE on UARTRX:
 RXTX on the header denotes the input/output direction of the signal respective to it's source.
 CDC TX is output from the DEBUGGER.
 UARTRX is output from the TARGET device.
 UARTRX is input to the TARGET device.

NOTE on I2C:
 No pull-ups on board. Pull-ups should be mounted close to other devices.



Y201 is a diecrystal for a standard 5x3.2mm crystal. To use a crystal with the dsPIC33CK oscillator perform the following steps:
 1. Mount the crystal on the Y201 footprint.
 2. Short-circuit J207 and J208 to connect the crystal to the oscillator pins.
 3. Add J215 to disconnect the signals from the board edge.
 Optional:
 Mount capacitors on C206 and C207 to tune the crystal oscillation circuit.
 Cut J216 and replace with resistors to perform oscillator frequency measurements.

MICROCHIP

Project Owner: P Yedamala
 PCB Layout Contact: P Breebald
 Part Number: EV98K73A
 Project File: dsPIC33CK64MC105_Custody Nano
 Sheet Title: MCU Target MCU
 Size: A3
 Date: 8/27/2022
 Rev: 2
 Sheet: 2 of 4

Designed with **Altium**

File: 03_1155_Custom_Nano_Insta_MCU_SchDoc

7.2 Assembly Drawing

Figure 7-2. dsPIC33CK64MC105 Curiosity Nano Assembly Drawing Top

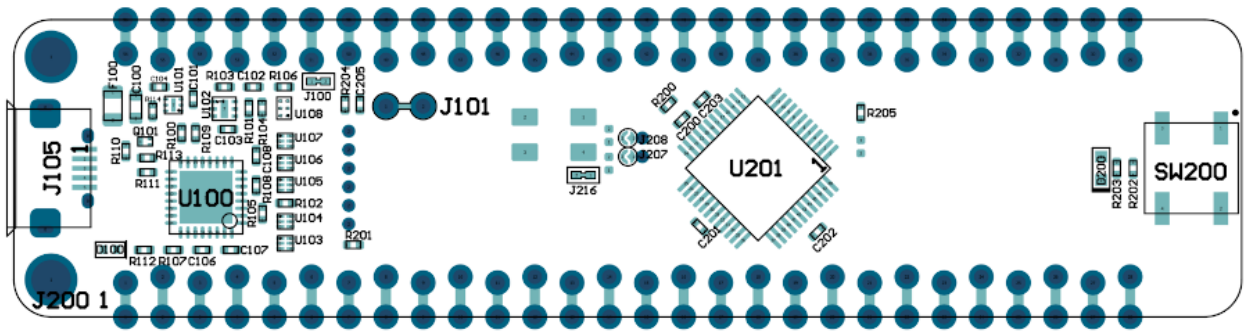
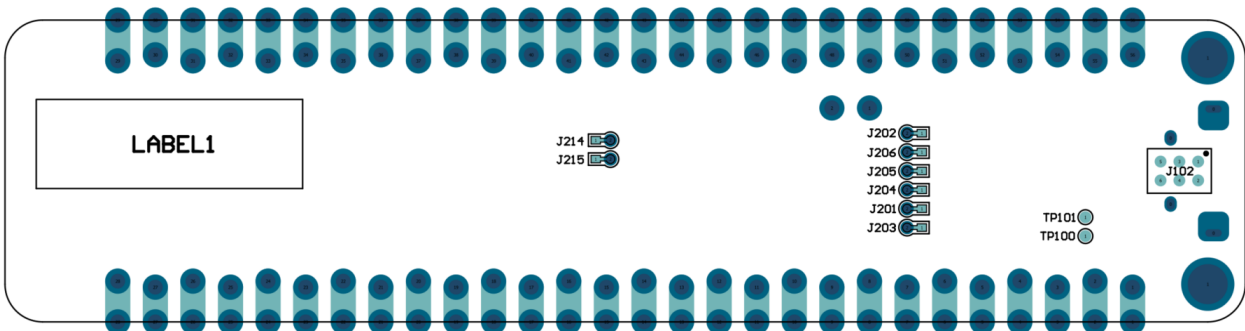
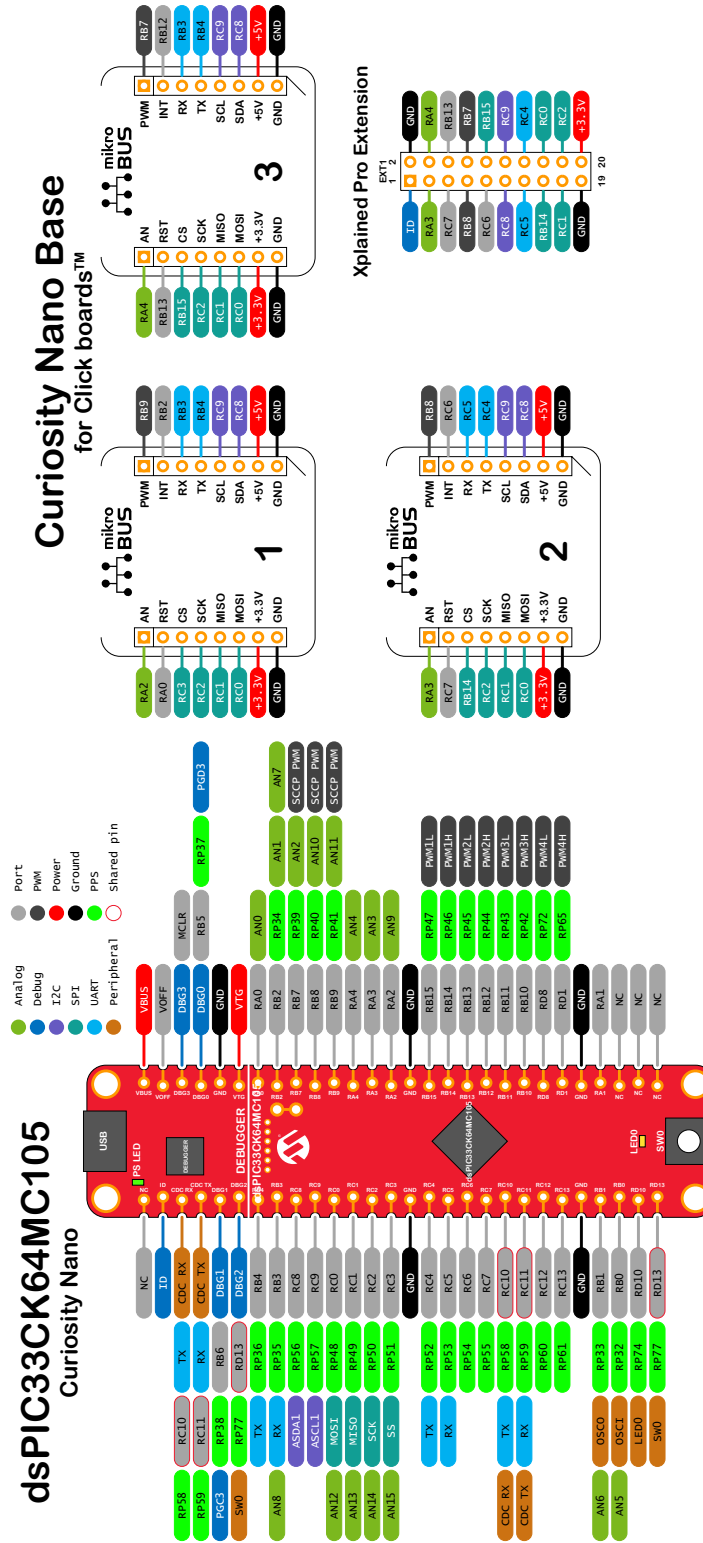


Figure 7-3. dsPIC33CK64MC105 Curiosity Nano Assembly Drawing Bottom



7.3 Curiosity Nano Base for Click boards™

Figure 7-4. dsPIC33CK64MC105 Curiosity Nano Pinout Mapping



7.4 Disconnecting the On-Board Debugger

The on-board debugger and level shifters can be completely disconnected from the dsPIC33CK64MC105.

The block diagram below shows all connections between the debugger and the dsPIC33CK64MC105. The rounded boxes represent connections to the board edge. The signal names shown are also printed in silkscreen on the bottom side of the board.

To disconnect the debugger, cut the straps shown in [Figure 7-6](#).



Attention: Cutting the GPIO straps to the on-board debugger will disable the virtual serial port, programming, debugging, and data streaming. Cutting the power supply strap will disconnect the on-board power supply.



Tip: Reconnect any cut connection by using solder. Alternatively, mount a 0Ω 0402 resistor.



Tip: When the debugger is disconnected, an external debugger can be connected to holes, as shown in [Figure 7-6](#). Details about connecting an external debugger are described in [3.6. Connecting External Debuggers](#).

Figure 7-5. On-Board Debugger Connections Block Diagram

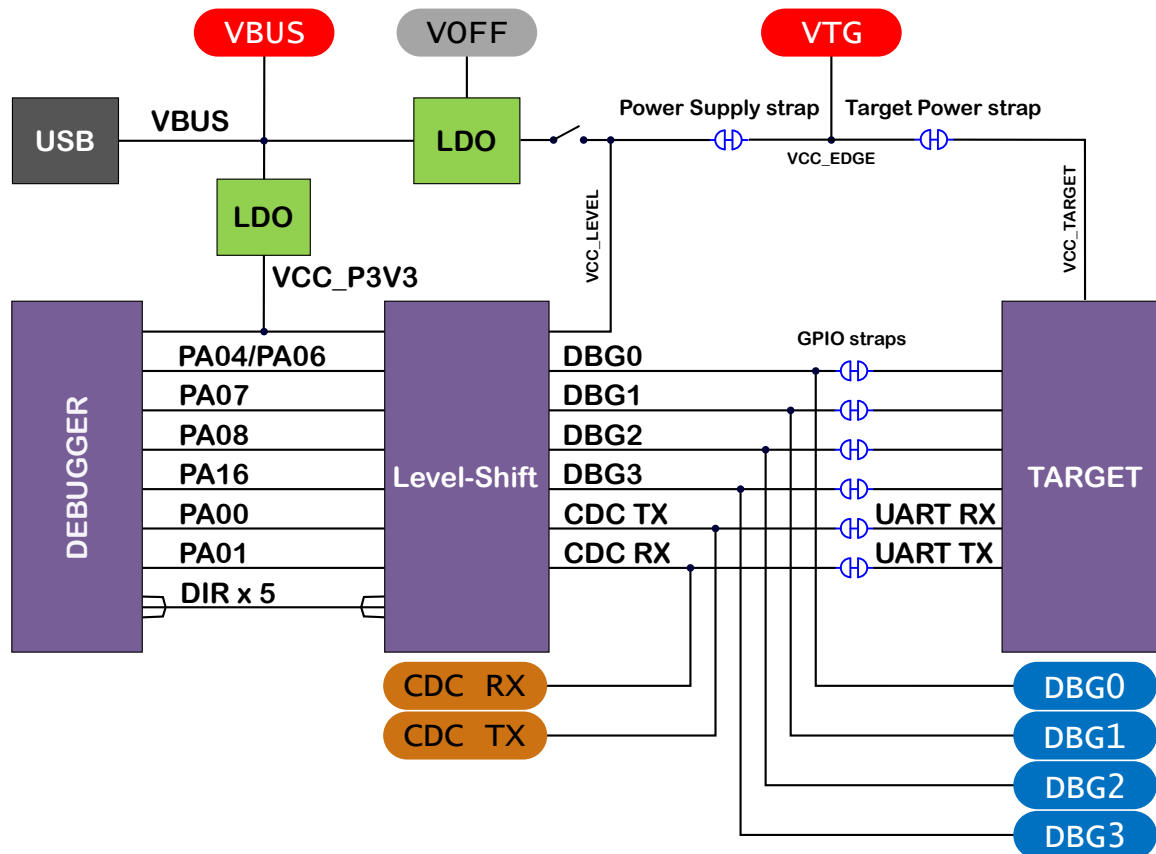
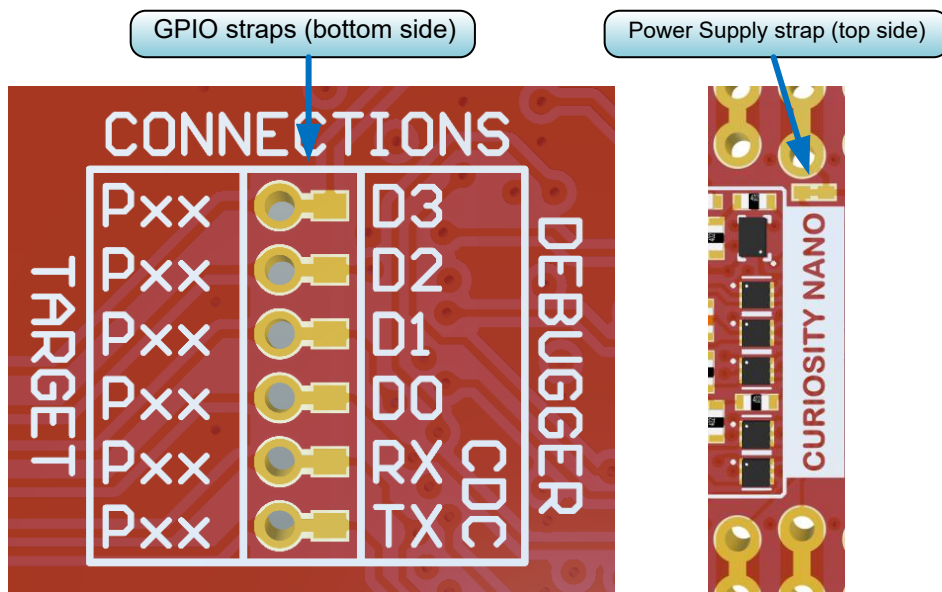


Figure 7-6. On-Board Debugger Connection Cut Straps



Microchip Information

The Microchip Website

Microchip provides online support via our website at www.microchip.com/. This website is used to make files and information easily available to customers. Some of the content available includes:

- **Product Support** – Data sheets and errata, application notes and sample programs, design resources, user's guides and hardware support documents, latest software releases and archived software
- **General Technical Support** – Frequently Asked Questions (FAQs), technical support requests, online discussion groups, Microchip design partner program member listing
- **Business of Microchip** – Product selector and ordering guides, latest Microchip press releases, listing of seminars and events, listings of Microchip sales offices, distributors and factory representatives

Product Change Notification Service

Microchip's product change notification service helps keep customers current on Microchip products. Subscribers will receive email notification whenever there are changes, updates, revisions or errata related to a specified product family or development tool of interest.

To register, go to www.microchip.com/pcn and follow the registration instructions.

Customer Support

Users of Microchip products can receive assistance through several channels:

- Distributor or Representative
- Local Sales Office
- Embedded Solutions Engineer (ESE)
- Technical Support

Customers should contact their distributor, representative or ESE for support. Local sales offices are also available to help customers. A listing of sales offices and locations is included in this document.

Technical support is available through the website at: www.microchip.com/support

Microchip Devices Code Protection Feature

Note the following details of the code protection feature on Microchip products:

- Microchip products meet the specifications contained in their particular Microchip Data Sheet.
- Microchip believes that its family of products is secure when used in the intended manner, within operating specifications, and under normal conditions.
- Microchip values and aggressively protects its intellectual property rights. Attempts to breach the code protection features of Microchip product is strictly prohibited and may violate the Digital Millennium Copyright Act.
- Neither Microchip nor any other semiconductor manufacturer can guarantee the security of its code. Code protection does not mean that we are guaranteeing the product is "unbreakable". Code protection is constantly evolving. Microchip is committed to continuously improving the code protection features of our products.

Legal Notice

This publication and the information herein may be used only with Microchip products, including to design, test, and integrate Microchip products with your application. Use of this information in any other manner violates these terms. Information regarding device applications is provided only for your convenience and may be superseded

by updates. It is your responsibility to ensure that your application meets with your specifications. Contact your local Microchip sales office for additional support or, obtain additional support at www.microchip.com/en-us/support/design-help/client-support-services.

THIS INFORMATION IS PROVIDED BY MICROCHIP "AS IS". MICROCHIP MAKES NO REPRESENTATIONS OR WARRANTIES OF ANY KIND WHETHER EXPRESS OR IMPLIED, WRITTEN OR ORAL, STATUTORY OR OTHERWISE, RELATED TO THE INFORMATION INCLUDING BUT NOT LIMITED TO ANY IMPLIED WARRANTIES OF NON-INFRINGEMENT, MERCHANTABILITY, AND FITNESS FOR A PARTICULAR PURPOSE, OR WARRANTIES RELATED TO ITS CONDITION, QUALITY, OR PERFORMANCE.

IN NO EVENT WILL MICROCHIP BE LIABLE FOR ANY INDIRECT, SPECIAL, PUNITIVE, INCIDENTAL, OR CONSEQUENTIAL LOSS, DAMAGE, COST, OR EXPENSE OF ANY KIND WHATSOEVER RELATED TO THE INFORMATION OR ITS USE, HOWEVER CAUSED, EVEN IF MICROCHIP HAS BEEN ADVISED OF THE POSSIBILITY OR THE DAMAGES ARE FORESEEABLE. TO THE FULLEST EXTENT ALLOWED BY LAW, MICROCHIP'S TOTAL LIABILITY ON ALL CLAIMS IN ANY WAY RELATED TO THE INFORMATION OR ITS USE WILL NOT EXCEED THE AMOUNT OF FEES, IF ANY, THAT YOU HAVE PAID DIRECTLY TO MICROCHIP FOR THE INFORMATION.

Use of Microchip devices in life support and/or safety applications is entirely at the buyer's risk, and the buyer agrees to defend, indemnify and hold harmless Microchip from any and all damages, claims, suits, or expenses resulting from such use. No licenses are conveyed, implicitly or otherwise, under any Microchip intellectual property rights unless otherwise stated.

Trademarks

The Microchip name and logo, the Microchip logo, Adaptec, AVR, AVR logo, AVR Freaks, BesTime, BitCloud, CryptoMemory, CryptoRF, dsPIC, flexPWR, HELDO, IGLOO, JukeBlox, KeeLoq, Kleer, LANCheck, LinkMD, maXStylus, maXTouch, MediaLB, megaAVR, Microsemi, Microsemi logo, MOST, MOST logo, MPLAB, OptoLyzer, PIC, picoPower, PICSTART, PIC32 logo, PolarFire, Prochip Designer, QTouch, SAM-BA, SenGenuity, SpyNIC, SST, SST Logo, SuperFlash, Symmetricom, SyncServer, Tachyon, TimeSource, tinyAVR, UNI/O, Vectron, and XMEGA are registered trademarks of Microchip Technology Incorporated in the U.S.A. and other countries.

AgileSwitch, APT, ClockWorks, The Embedded Control Solutions Company, EtherSynch, Flashtec, Hyper Speed Control, HyperLight Load, Libero, motorBench, mTouch, Powermite 3, Precision Edge, ProASIC, ProASIC Plus, ProASIC Plus logo, Quiet- Wire, SmartFusion, SyncWorld, Temux, TimeCesium, TimeHub, TimePictra, TimeProvider, TrueTime, and ZL are registered trademarks of Microchip Technology Incorporated in the U.S.A.

Adjacent Key Suppression, AKS, Analog-for-the-Digital Age, Any Capacitor, AnyIn, AnyOut, Augmented Switching, BlueSky, BodyCom, Clockstudio, CodeGuard, CryptoAuthentication, CryptoAutomotive, CryptoCompanion, CryptoController, dsPICDEM, dsPICDEM.net, Dynamic Average Matching, DAM, ECAN, Espresso T1S, EtherGREEN, GridTime, IdealBridge, In-Circuit Serial Programming, ICSP, INICnet, Intelligent Paralleling, IntellIMOS, Inter-Chip Connectivity, JitterBlocker, Knob-on-Display, KoD, maxCrypto, maxView, memBrain, Mindi, MiWi, MPASM, MPF, MPLAB Certified logo, MPLIB, MPLINK, MultiTRAK, NetDetach, Omniscient Code Generation, PICDEM, PICDEM.net, PICkit, PICtail, PowerSmart, PureSilicon, QMatrix, REAL ICE, Ripple Blocker, RTAX, RTG4, SAM-ICE, Serial Quad I/O, simpleMAP, SimpliPHY, SmartBuffer, SmartHLS, SMART-I.S., storClad, SQL, SuperSwitcher, SuperSwitcher II, Switchtec, SynchroPHY, Total Endurance, Trusted Time, TSHARC, USBCheck, VariSense, VectorBlox, VeriPHY, ViewSpan, WiperLock, XpressConnect, and ZENA are trademarks of Microchip Technology Incorporated in the U.S.A. and other countries.

SQTP is a service mark of Microchip Technology Incorporated in the U.S.A.

The Adaptec logo, Frequency on Demand, Silicon Storage Technology, and Symmcom are registered trademarks of Microchip Technology Inc. in other countries.

GestIC is a registered trademark of Microchip Technology Germany II GmbH & Co. KG, a subsidiary of Microchip Technology Inc., in other countries.

All other trademarks mentioned herein are property of their respective companies.

© 2022, Microchip Technology Incorporated and its subsidiaries. All Rights Reserved.

ISBN: 978-1-6683-1236-0

Quality Management System

For information regarding Microchip's Quality Management Systems, please visit www.microchip.com/quality.

Worldwide Sales and Service

| AMERICAS | ASIA/PACIFIC | ASIA/PACIFIC | EUROPE |
|---|---|--|---|
| <p>Corporate Office 2355 West Chandler Blvd. Chandler, AZ 85224-6199 Tel: 480-792-7200 Tel: 480-792-7277 Technical Support: www.microchip.com/support Web Address: www.microchip.com</p> <p>Atlanta Duluth, GA Tel: 678-957-9614 Fax: 678-957-1455</p> <p>Austin, TX Tel: 512-257-3370</p> <p>Boston Westborough, MA Tel: 774-760-0087 Fax: 774-760-0088</p> <p>Chicago Itasca, IL Tel: 630-285-0071 Fax: 630-285-0075</p> <p>Dallas Addison, TX Tel: 972-818-7423 Fax: 972-818-2924</p> <p>Detroit Novi, MI Tel: 248-848-4000</p> <p>Houston, TX Tel: 281-894-5983</p> <p>Indianapolis Noblesville, IN Tel: 317-773-8323 Fax: 317-773-5453 Tel: 317-536-2380</p> <p>Los Angeles Mission Viejo, CA Tel: 949-462-9523 Fax: 949-462-9608 Tel: 951-273-7800</p> <p>Raleigh, NC Tel: 919-844-7510</p> <p>New York, NY Tel: 631-435-6000</p> <p>San Jose, CA Tel: 408-735-9110 Tel: 408-436-4270</p> <p>Canada - Toronto Tel: 905-695-1980 Fax: 905-695-2078</p> | <p>Australia - Sydney Tel: 61-2-9868-6733</p> <p>China - Beijing Tel: 86-10-8569-7000</p> <p>China - Chengdu Tel: 86-28-8665-5511</p> <p>China - Chongqing Tel: 86-23-8980-9588</p> <p>China - Dongguan Tel: 86-769-8702-9880</p> <p>China - Guangzhou Tel: 86-20-8755-8029</p> <p>China - Hangzhou Tel: 86-571-8792-8115</p> <p>China - Hong Kong SAR Tel: 852-2943-5100</p> <p>China - Nanjing Tel: 86-25-8473-2460</p> <p>China - Qingdao Tel: 86-532-8502-7355</p> <p>China - Shanghai Tel: 86-21-3326-8000</p> <p>China - Shenyang Tel: 86-24-2334-2829</p> <p>China - Shenzhen Tel: 86-755-8864-2200</p> <p>China - Suzhou Tel: 86-186-6233-1526</p> <p>China - Wuhan Tel: 86-27-5980-5300</p> <p>China - Xian Tel: 86-29-8833-7252</p> <p>China - Xiamen Tel: 86-592-2388138</p> <p>China - Zhuhai Tel: 86-756-3210040</p> | <p>India - Bangalore Tel: 91-80-3090-4444</p> <p>India - New Delhi Tel: 91-11-4160-8631</p> <p>India - Pune Tel: 91-20-4121-0141</p> <p>Japan - Osaka Tel: 81-6-6152-7160</p> <p>Japan - Tokyo Tel: 81-3-6880-3770</p> <p>Korea - Daegu Tel: 82-53-744-4301</p> <p>Korea - Seoul Tel: 82-2-554-7200</p> <p>Malaysia - Kuala Lumpur Tel: 60-3-7651-7906</p> <p>Malaysia - Penang Tel: 60-4-227-8870</p> <p>Philippines - Manila Tel: 63-2-634-9065</p> <p>Singapore Tel: 65-6334-8870</p> <p>Taiwan - Hsin Chu Tel: 886-3-577-8366</p> <p>Taiwan - Kaohsiung Tel: 886-7-213-7830</p> <p>Taiwan - Taipei Tel: 886-2-2508-8600</p> <p>Thailand - Bangkok Tel: 66-2-694-1351</p> <p>Vietnam - Ho Chi Minh Tel: 84-28-5448-2100</p> | <p>Austria - Wels Tel: 43-7242-2244-39 Fax: 43-7242-2244-393</p> <p>Denmark - Copenhagen Tel: 45-4485-5910 Fax: 45-4485-2829</p> <p>Finland - Espoo Tel: 358-9-4520-820</p> <p>France - Paris Tel: 33-1-69-53-63-20 Fax: 33-1-69-30-90-79</p> <p>Germany - Garching Tel: 49-8931-9700</p> <p>Germany - Haan Tel: 49-2129-3766400</p> <p>Germany - Heilbronn Tel: 49-7131-72400</p> <p>Germany - Karlsruhe Tel: 49-721-625370</p> <p>Germany - Munich Tel: 49-89-627-144-0 Fax: 49-89-627-144-44</p> <p>Germany - Rosenheim Tel: 49-8031-354-560</p> <p>Israel - Ra'anana Tel: 972-9-744-7705</p> <p>Italy - Milan Tel: 39-0331-742611 Fax: 39-0331-466781</p> <p>Italy - Padova Tel: 39-049-7625286</p> <p>Netherlands - Drunen Tel: 31-416-690399 Fax: 31-416-690340</p> <p>Norway - Trondheim Tel: 47-72884388</p> <p>Poland - Warsaw Tel: 48-22-3325737</p> <p>Romania - Bucharest Tel: 40-21-407-87-50</p> <p>Spain - Madrid Tel: 34-91-708-08-90 Fax: 34-91-708-08-91</p> <p>Sweden - Gothenberg Tel: 46-31-704-60-40</p> <p>Sweden - Stockholm Tel: 46-8-5090-4654</p> <p>UK - Wokingham Tel: 44-118-921-5800 Fax: 44-118-921-5820</p> |