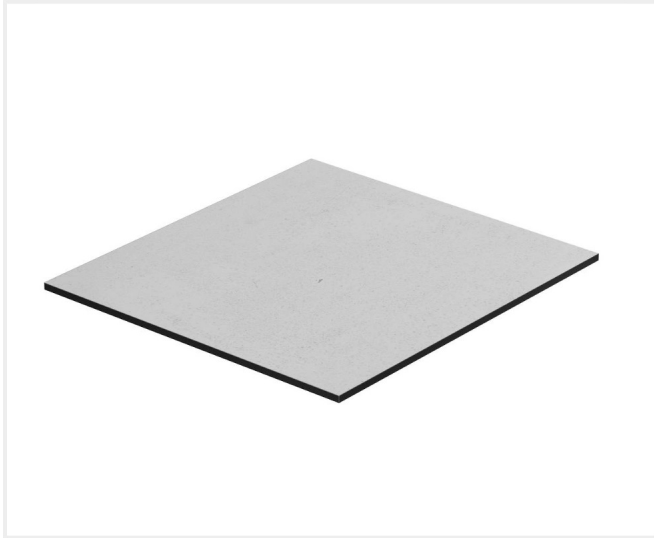


# BOS-Ecoline | Front panels, natural-coloured anodised aluminium



**ELPU 1240-0100 FP2**

**Order no.: 83248100**

For ELPU 1240-0100, 2 mm

\* = Available on request.

## Characteristics

### Colour of enclosure group

--

### Enclosure Material

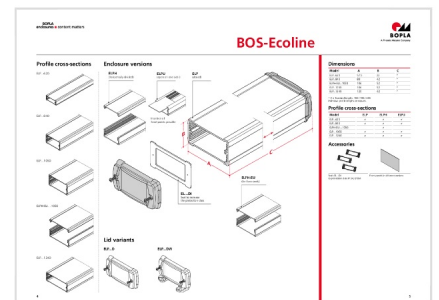
Extruded profiles: Al Mg Si 0.5 anodised; plastic lid: ABS; for details see Technical Information

### Scope of delivery

1 front panel

## Product drawing

## Enclosure concept



## Important!

To compensate for pressure when temperatures change and cause moisture in the enclosure, we recommend that you use a [pressure compensation](#) element.

In order to ensure that you can determine **the correct quantity of elements for your application**, we are providing you here with a DAE calculator.

[» Additional information](#)

09.05.2023

## Technical documentation / Downloads

---

### Technical drawings

**3D product data in STEP format:**

83248100 ELPU-1240-0100-FP2.stp  
(8.9 KB)

**Drawing for mechanical processing:**

83248100 ELPU-1240-0100-FP2-G.dxf  
(207.0 KB)

**Milling contours are shown here as a DXF file. (Sub D, USB, HDMI, cable glands, ...)**

### Product information

**bos-ecoline en.pdf**

(746.9 KB)