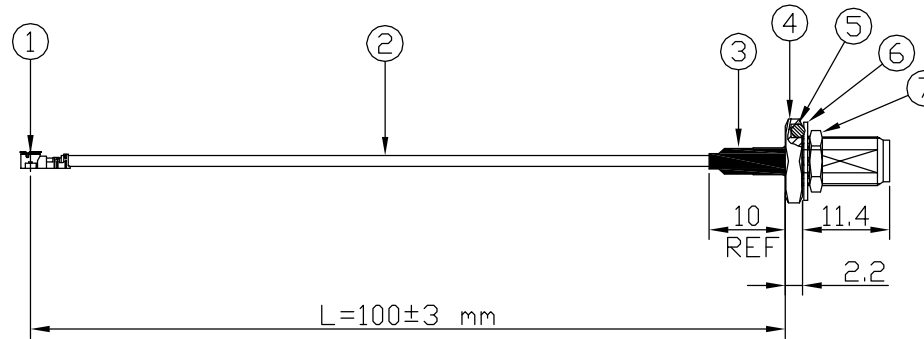
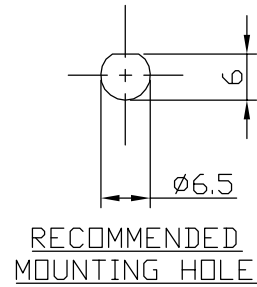


RoHS COMPLIANT

REVISIONS			
REV	DESCRIPTION	DATE	APPROVED
1.00	INITIAL DESIGN	2019/07/16	Kelly



Note:

- (1) The orientation should be the same as shown.
(加工製程需遵照圖面標示方向,U.FL 朝上,D平面朝前)
- (2) Screw washer and nut on SMA connector. (華司、螺帽要鎖上)
- (3) 100% Continuity, Short circuit test.
- (4) Assembly exclude U.FL according to IPC/WHMA-A-620B.

07	Nut	1	
06	Washer	1	
05	O-ring	1	
04	SMA Straight bulkhead Jack	1	C02AD31137005B
03	3X Heat shrink(Black)	1	Y0E05XX-030-B
02	1.37 coaxial cable (Black)	1	
01	Hirose U.FL Plug	1	U.FL-LP-088
NO	DESCRIPTION	Q'TY	DRAWN NO.

TITLE			
U.FL to 1.37(BK) to SMA(F)st.bh.w/o-ring.,L=100mm			

DWG NO.	CUST.	UNIT	REV.
190716-02A	P/N: N/A DWG NO: N/A	mm	1.00
GENERAL TOLERANCES		SCALE	APPROVALS
.X	N/A	1 : 1	
.XX	N/A	SIZE	DRAWN BY:
.XXX	N/A	A4	
ANGLES	N/A		CHK'D BY:
(UNLESS OTHERWISE SPECIFIED)		SHEET	APP'D BY:
		1 of 1	