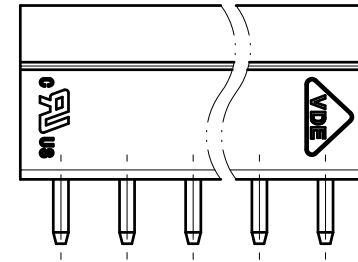
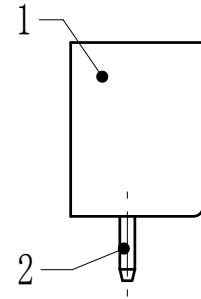
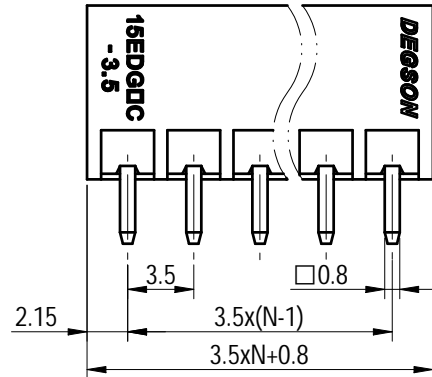
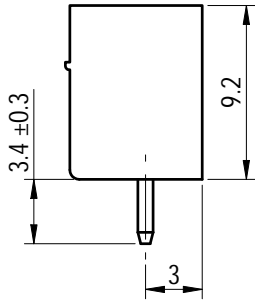
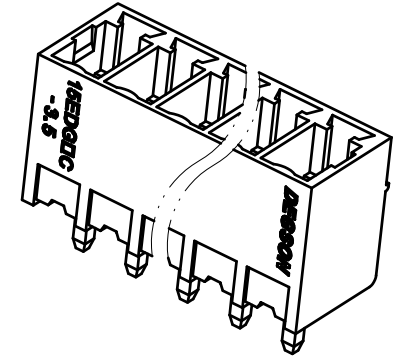
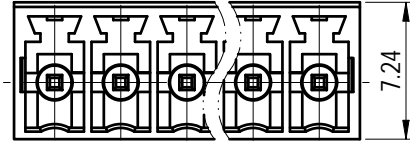


Transfer or duplication of this document as well as the utilization or communication of its content are prohibited unless authorization is granted. Violations will be held for compensation. All rights reserved for patent, utility model or design registrations. 除专利权明确标注外，其他标注均受法律保护。未经授权使用或复制，公司将保留追究法律责任的权利。

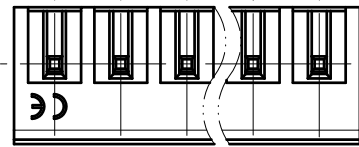
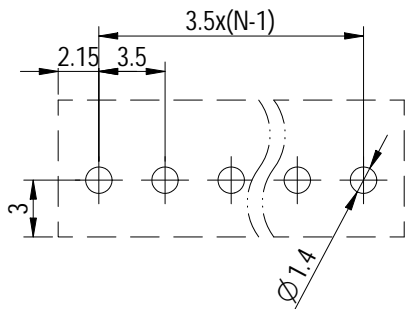
未注公差/General tolerances (mm)													0.1/10	
0	>3	>6	>10	>18	>30	>50	>80	>120	>180	>250	>315	>400		>500
±0.12	±0.18	±0.22	±0.26	±0.31	±0.37	±0.57	±0.80	±0.93	±1.05	±1.15	±1.60	±2.20	±2.50	±2'



Note:  
The A&Z(H) in the name means: A(H) and Z(H).

ITEM	NAME OF PART	MATERIAL	NOTES
2	Pin	Copper alloy	Sn Plated
1	Housing	PA66	UL94V-0

**PCB LAYOUT**



UL 标准/UL Standard:	B	C	D
额定电压/电流/Rated Voltage(V)/Current(A)	300/8	/	300/8
IEC 标准/IEC Standard:			
过压类别/Overvoltage Category/污染等级/Pollution Degree	III/3	III/2	II/2
额定电压/电流/Rated Voltage(V)/Current(A)	/	/	250/7
额定脉冲电压(KV)/Rate Impulse Voltage(KV)	/	/	2.5
间距/Pitch(mm)/线数范围/Poles	3.5/N=02~24P		
使用温度范围/Operating temperature(°C)	-40~+105		
符合RoHS环保要求/Conform to RoHS	Yes		

**DEGSON**

APPD: 兰春华 2022.08.09  
 CHKD: 龚耀志 2022.08.09  
 DRFT: 朱岳鹏 2022.08.09

MATERIAL:	SURFACE/COLOR:		
MAT NO./REV:	- / 00	MAT STATUS: 批量	
NAME	15EDGVC-3.5-XXP-1Y-00A&Z(H)		
DRAWING NO.	TYPE	DRAWING STATUS	SCALE
200102271	CUSTOMER DRAWING	已发布	2.5:1
SHEET		SHEET	
1/1		1/1	

REV	ECN	DESCRIPTION	DRFT	DATE
00			朱岳鹏	2022.08.09