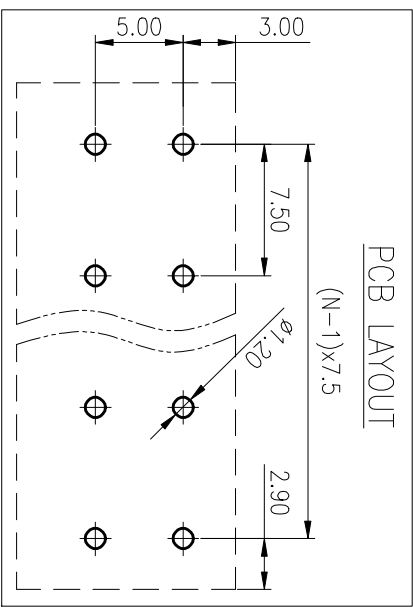
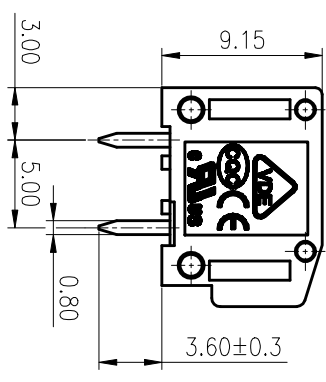
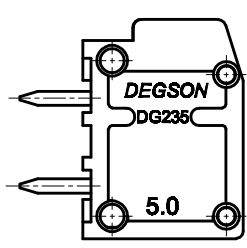
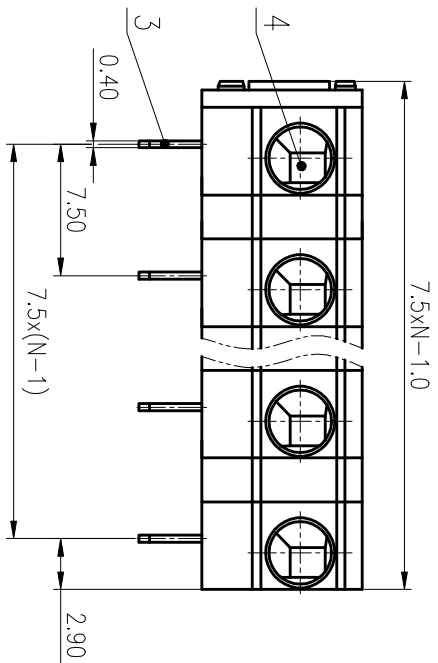
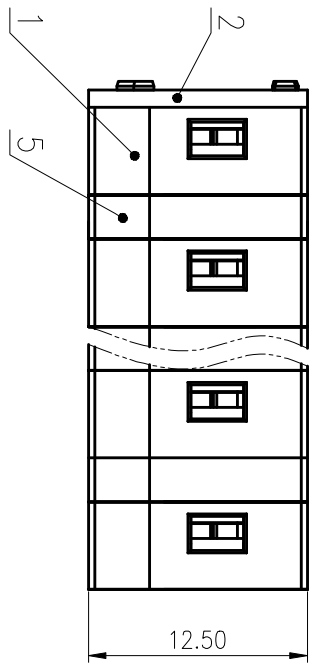


规格/General	Tolerances(mm)										公差/Tolerance		
0	>.3	>.6	>.10	>.18	>.30	>.50	>.80	>.120	>.180	>.280	>.315	>.400	0.1/1.0
~	~	~	~	~	~	~	~	~	~	~	~	~	±Z
3	6	10	18	30	50	80	120	180	250	315	400	500	±Z
±0.12	±0.18	±0.22	±0.26	±0.31	±0.37	±0.57	±0.80	±0.93	±1.05	±1.15	±1.60	±2.20	±2.50



ITEM	NAME OF PART	MATERIAL	NOTES
1	Housing	PA66	UL94V-0
2	Cover	PA66	UL94V-0
3	Pin header	Copper alloy	Sn Plated
4	Spring	Stainless steel	/
5	Calpboard	PA66	UL94V-0

UL 标准/UL Standard:	B	C	D
额定电压/电涌/Rated Voltage(V)/Current(A)	300/5	150/5	300/5
IEC 标准/IEC Standard:	III/3	III/2	I/2
过压类别/Overvoltage Category/污染等	III/3	III/2	I/2
绝缘/Pollution Degree	III/3	III/2	I/2
额定冲击电压(kV)/Rate Impulse Voltage(kV)	400/17.5	1000/17.5	1000/17.5
额定电压/电涌/Rated Voltage(V)/Current(A)	400/17.5	1000/17.5	1000/17.5
额定冲击电压(kV)/Rate Impulse Voltage(kV)	8	8	8
线径范围(硬线和软线)/Wire Range(rigid and flexible)(mm ² /AWG)	0.2~1.5	2.5(Sol)/20~18	
间距/Pitch(mm)/线径范围/Poles	7.5	N=02~16P	
剥线长度/Stripping length(mm)	10		
使用温度范围/Operating Temperature(°C)	-40~+105		
符合RoHS要求/Conform to RoHS	Yes		
标准颜色编号/Standard color number:	/		
PANTONE / RAL	/		

MATERIAL:	/	SURFACE:	/
MAT NO.:	/		
STATUS:	/		
APPD: LiGL	2020.06.01	NAME:	DEGSON [®] NINGBO DEGSON ELECTRICAL CO., LTD
CHKD: Mek	2020.06.01	DRAWING NO.:	DG235W-7.5-XXP-1Y-00A(H)
DRT: MSh	2020.06.01	TYPE:	CUSTOMER DRAWING
SIZE: A4	mm / inch	SCALE:	2.5:1 SHEET
		REV	T0
		1/1	