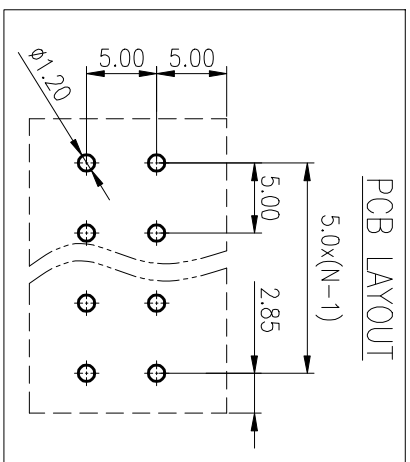
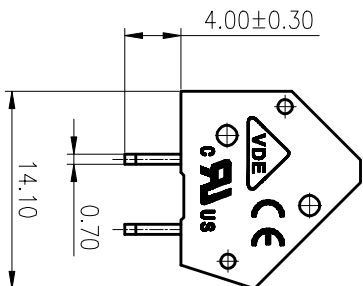
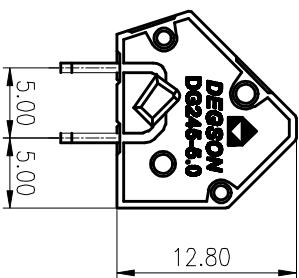
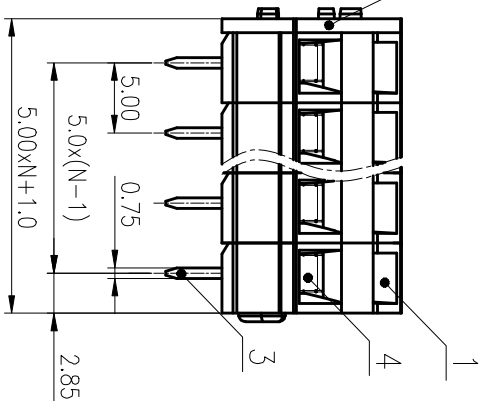
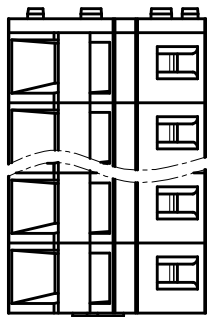


公差等级/General Tolerances(mm)		公差等级/General Tolerances(mm)										公差等级/General Tolerances(mm)	
0	>3	>6	>10	>18	>30	>50	>80	>120	>180	>280	>315	>400	0.1/1/0
~	~	~	~	~	~	~	~	~	~	~	~	~	
3	6	10	18	30	50	80	120	180	280	315	400	500	±Z
±0.12	±0.18	±0.22	±0.26	±0.31	±0.37	±0.57	±0.80	±0.93	±1.05	±1.15	±1.60	±2.20	



4	Spring	Stainless steel	/
3	Pin header	Copper alloy	Sn Plated
2	Cover	PA66	UL94V-0
1	Housing	PA66	UL94V-0
ITEM	NAME OF PART	MATERIAL	NOTES
UL 标准	UL Standard:	B	C
额定电压/电涌/Rated Voltage(V)/Current(A)	300/15	/	300/10
IEC 标准/IEC Standard:			
过压类别/Overvoltage Category/污秽等级/ Pollution Degree	III/3	III/2	II/2
额定电压/电涌/Rated Voltage(V)/Current(A)	/	450/17	/
工频耐压/Withstanding Voltage(V/1Min)		AC2500	
线径范围(硬线和软线)/Wire Range(rigid and flexible)(mm ² /AWG)	0.2~2.5/28~12		
间距/Pitch(mm)/线数范围/Poles	5.0/N=02~24P		
剥线长度/Stripping length(mm)	5~6		
使用温度范围/Operating temperature(°C)	-40~+105		
符合RoHS环保要求/Conform to RoHS	Yes		

MATERIAL: /

MAT NO.: /

STATUS: /

APPD: Li GL 2020.06.10

CHKD: MaEK 2020.06.10

DFT: WangW 2020.06.10

NAME: **DEGSON® NINGBO DEGSON ELECTRICAL CO., LTD**

DG245-5.0-XXP-1Y-00A(H)

DRAWING NO.: DG245-5.0-C01

TYPE: CUSTOMER DRAWING SCALE: 2:1 SHEET 1/1

DESCRIPTION

DRAFT DATE

REV

ECN

SIZE: A4

SCALE: 2:1

SHEET 1/1

D

C

B

A

D

C

B

A

1

2

3

4

5

6