

Specifications

Current Rating: 3A AC,DC
 Contact Resistance: 20mΩ Max
 Insulation Resistance: 1000MΩ Min
 Withstanding Voltage: 500V AC/minute
 Temperature Range: -55°C ~ +105°C

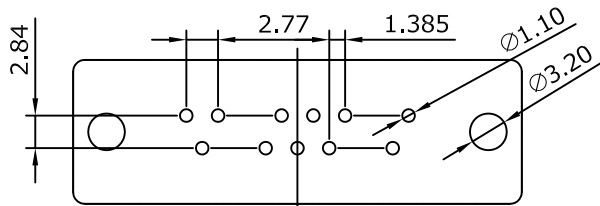
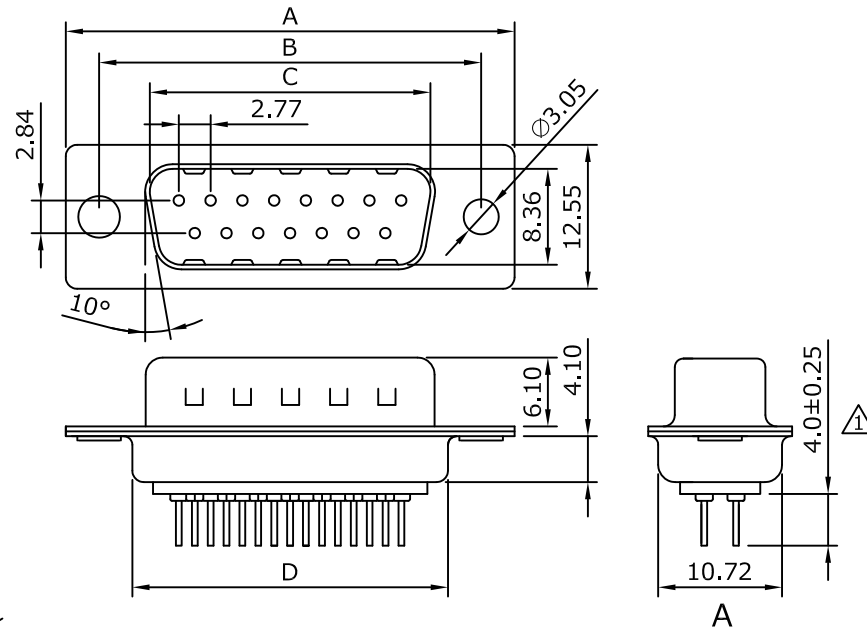
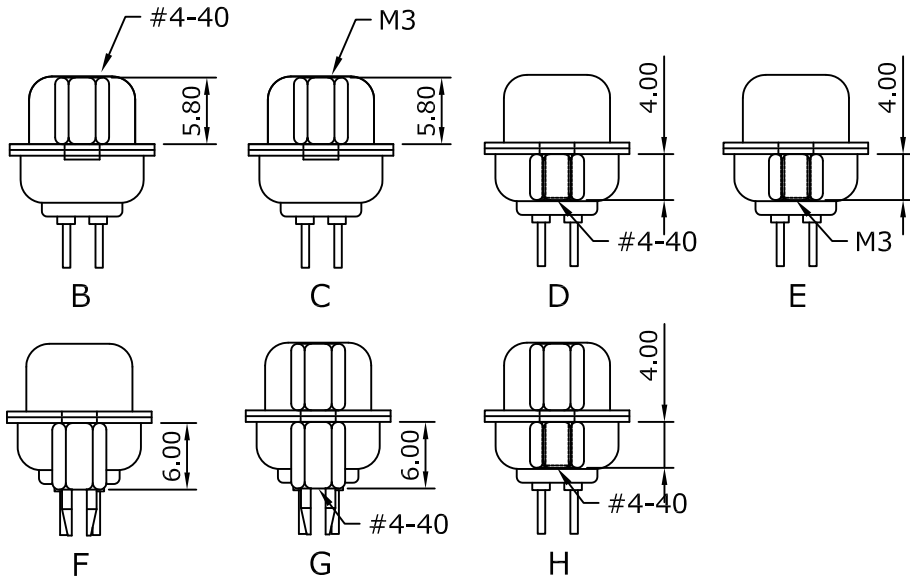
Material

Insulator: P.B.T, UL94V-0
 Contact: Copper Alloy

ORDER INFORMATION



V	D	X	1	-	M	XX	X	X	X
D-SUB Type	DIP Type	RoHS + P.B.T			Male	No. of Contacts	N:Nickel Shell T:Tin Shell	W:White Insulator B:Black Insulator	
G0:Gold Flash	S0:Selective Flash								
G1:Gold 3u"	S1:Selective 3u"								
G2:Gold 5u"	S2:Selective 5u"								
G3:Gold 10u"	S3:Selective 10u"								
G4:Gold 15u"	S4:Selective 15u"								
G5:Gold 30u"	S5:Selective 30u"								
							A:Non Accessories		
							B:Front Rivet #4-40, Height=5.8		
							C:Front Rivet M3, Height=5.8		
							D:Rear Rivet #4-40, Height=4.0		
							E:Rear Rivet M3+, Height=4.0		
							F:Rear Rivet Boardlock		
							G:Rear Rivet Boardlock+Screw Insert		
							H:Rear Rivet #4-40, Height=4.0+Screw Insert		



Recommended PCB Layout
 (PCB TOLERANCE ±0.05)

Positions	A	B	C	D
9	30.81	24.99	16.92	19.20
15	39.20	33.30	25.25	27.70
25	53.05	47.04	38.96	41.10
37	69.40	63.50	55.42	57.30

				PART NO.	VDX1-MXXXXX	DATE	2008/05/25
				DRAWING NO.	VDX1-MXXXXX	DRAWN	Andrew
				CUSTOMER P/N		APPROVED	Max
△	Updated the length from 4.6mm to 4.0mm	2016/5/11	TITLE:	D-SUB Dip Type	REV. A1	TOLERANCE	.X ±0.25 .XX ±0.20
REV.	DESCRIPTION	DATE				SCALE	1:1
						UNIT	mm