

---

## Single 2A/Dual 1A High-Side Switches

---

### Features

- Low MOSFET On-Resistance to 3.0V
  - 30 mΩ Typical at 5V (MIC2505 Series)
  - 35 mΩ Typical at 3.3V (MIC2505 Series)
  - 75 mΩ Typical at 5V (Each MIC2506 Output)
  - 80 mΩ Typical at 3.3V (Each MIC2506 Output)
- 3.0V to 7.5V Input
- 110 μA Typical On-State Supply Current
- 1 μA Typical Off-State Supply Current
- Output Can be Forced Higher than Input (Off-State)
- Current-Limit
- Thermal Shutdown
- 2.5V Undervoltage Lockout (UVLO)
- Open-Load Detection (MIC2505YN/M and MIC2506YN/M Only)
- Open-Drain Fault Flag
- 5 ms (Slow) Turn-On and Fast Turn-Off
- Logic-Level Control/Enable Input

### Applications

- USB Power Distribution
- 3.3V and 5V Power Management
- PC Card Inrush Limiting Switch
- Hot Plug-In Power Supplies
- Battery Charger Circuits

### General Description

The MIC2505, MIC2505-1, MIC2505-2, and MIC2506 are single and dual integrated high-side power switches that consist of TTL-compatible control/enable inputs, a charge pump, and protected N-channel MOSFETs. The MIC2505/6 family can be used instead of separate high-side drivers and MOSFETs in many low-voltage applications.

The MIC2505/6 family controls voltages ranging from 3.0V to 7.5V. The MIC2505-series can deliver at least 2A continuous current while the MIC2506 can deliver at least 1A continuous current from each output. A slow turn-on feature prevents high inrush current when switching capacitive loads. The internal control circuitry is powered from the same 3.0V to 7.5V. Within the device's input range, outputs can be forced higher than the input voltage when disabled.

Multipurpose open-drain fault flag outputs indicate overcurrent limiting, open-load detection (except MIC2505-1 and -2 versions), thermal shutdown, or undervoltage lockout for each channel.

Overcurrent limiting is internally fixed and requires no external components.

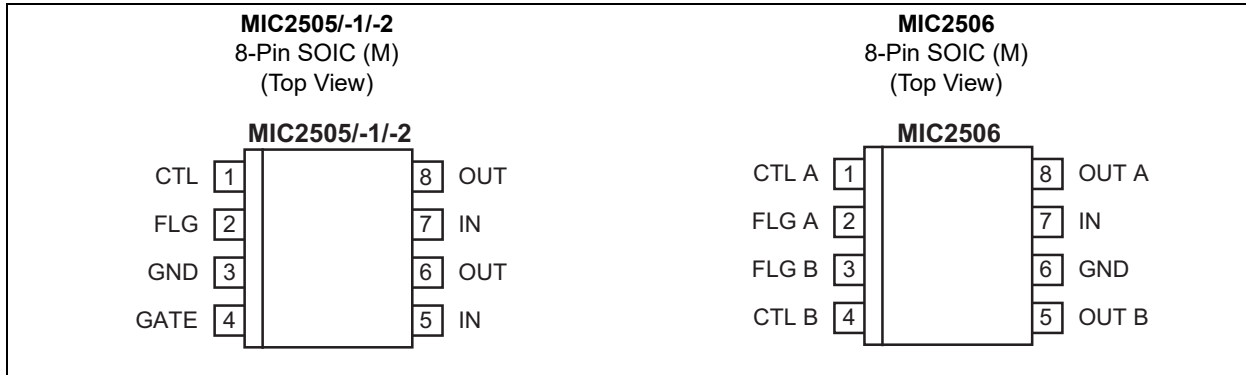
Open-load detection is active when the switch is off. When off, a normal load pulls the output pin low. If the load is open, an optional, external, high-value resistor pulls the output pin high, triggering the fault flag. MIC2505-1 and -2 versions are tailored to Universal Serial Bus (USB) applications and do not include open-load detection.

Thermal shutdown turns off the output if the die temperature exceeds approximately 135°C. If enabled, the switch automatically restarts when the temperature falls 10°C.

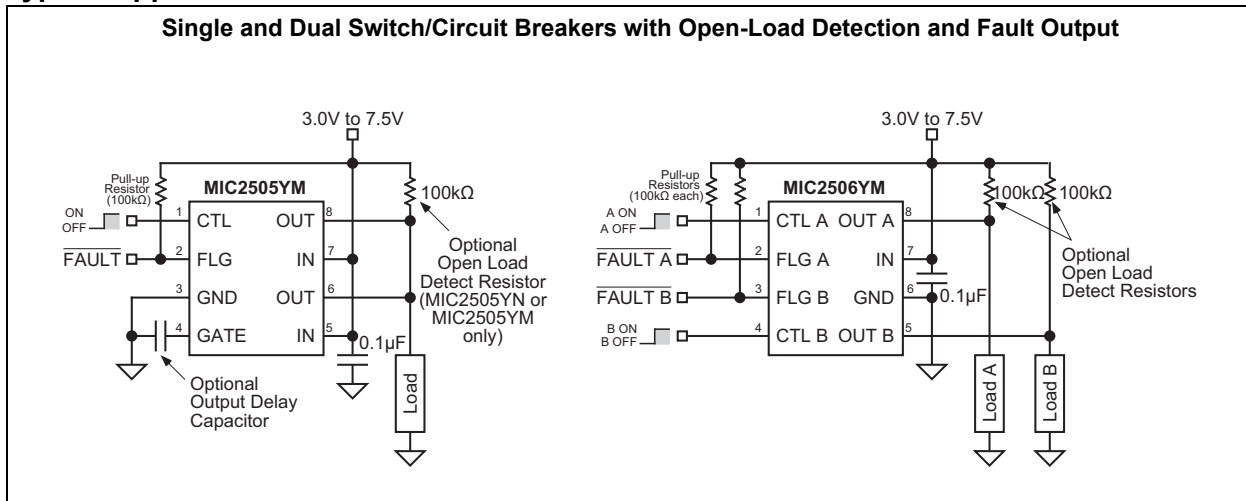
Undervoltage lockout (UVLO) shuts off the output if the supply drops below 2.3V typical and re-enables the output when the supply exceeds 2.5V typical.

# MIC2505/6

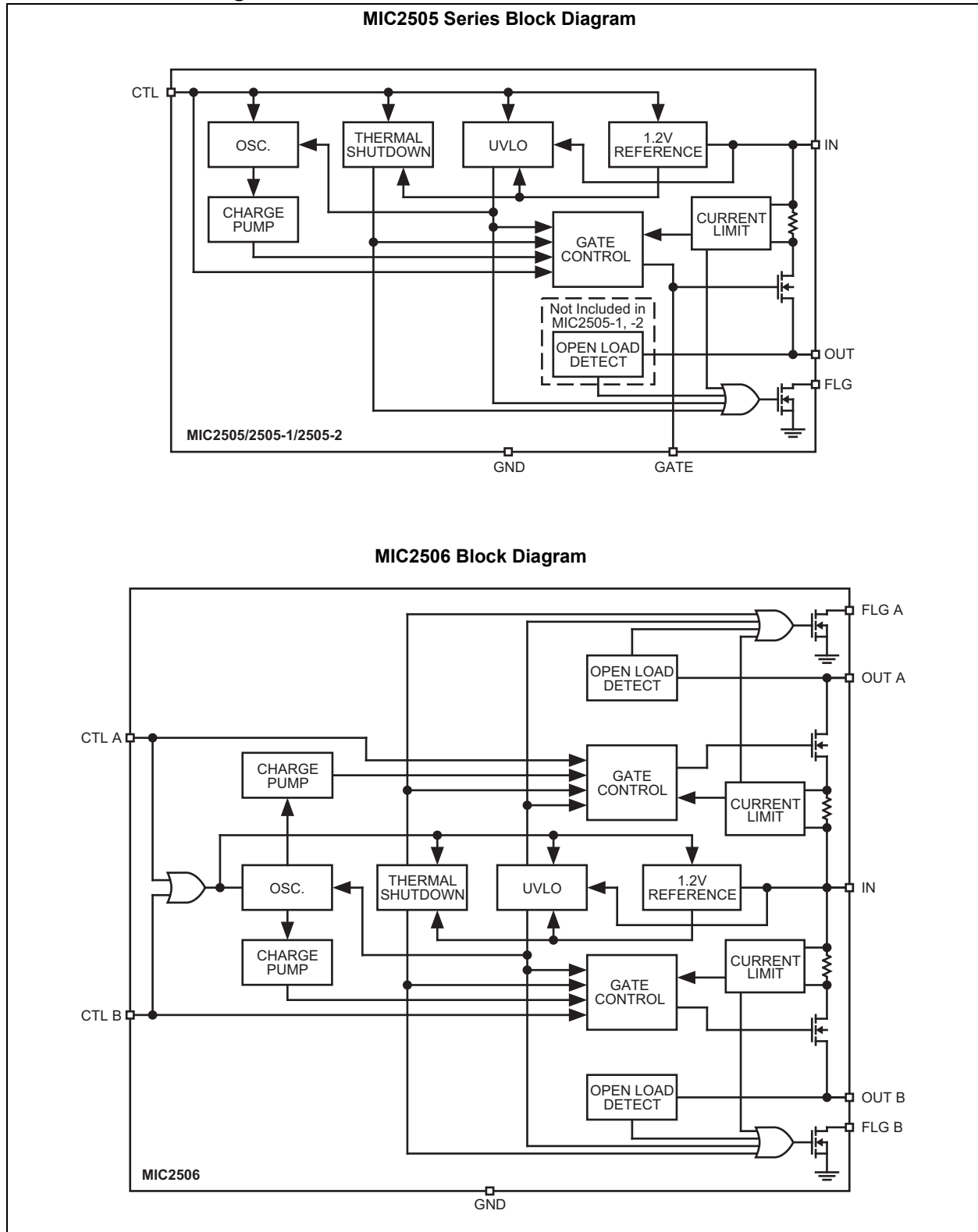
## Package Types



## Typical Application Schematics



## Functional Block Diagrams



# MIC2505/6

---

## 1.0 ELECTRICAL CHARACTERISTICS

### Absolute Maximum Ratings†

|                                       |                    |
|---------------------------------------|--------------------|
| Supply Voltage ( $V_{IN}$ ).....      | +8.0V              |
| Fault Flag Voltage ( $V_{FLG}$ )..... | +7.5V              |
| Fault Flag Current ( $I_{FLG}$ )..... | 50 mA              |
| Output Voltage ( $V_{OUT}$ ).....     | 7.5V               |
| Output Current ( $I_{OUT}$ ).....     | Internally Limited |
| Gate Voltage ( $V_{GATE}$ ).....      | $V_{IN} + 15V$     |
| Control Input ( $V_{CTL}$ ).....      | -0.3V to +15V      |

### Operating Ratings‡

|                                  |                |
|----------------------------------|----------------|
| Supply Voltage ( $V_{IN}$ )..... | +3.0V to +7.5V |
|----------------------------------|----------------|

|  |
|--|
| <p>† <b>Notice:</b> Stresses above those listed under “Absolute Maximum Ratings” may cause permanent damage to the device. This is a stress rating only and functional operation of the device at those or any other conditions above those indicated in the operational sections of this specification is not intended. Exposure to maximum rating conditions for extended periods may affect device reliability.</p> <p>‡ <b>Notice:</b> The device is not guaranteed to function outside its operating ratings.</p> |
|--|

**TABLE 1-1: ELECTRICAL CHARACTERISTICS**

**Electrical Characteristics:**  $V_{IN} = +5V$ , GATE = open,  $T_A = 25^\circ C$ , **bold** values are valid for  $-40^\circ C \leq T_A \leq +85^\circ C$ , unless noted. (**Note 1**).

| Parameters                | Sym.         | Min.       | Typ. | Max.        | Units      | Conditions  |
|---------------------------|--------------|------------|------|-------------|------------|---|
| Supply Current            | $I_{DD}$     | —          | 0.75 | <b>5</b>    | $\mu A$    | MIC2505-1, MIC2506, $V_{CTL} = \text{logic 0}$ , OUT = open.          |
|                           |              | —          | 110  | <b>240</b>  | $\mu A$    | MIC2505-1, MIC2506, $V_{CTL} = \text{logic 1}$ , OUT = open.          |
|                           |              | —          | 110  | <b>240</b>  | $\mu A$    | MIC2505-2, $V_{CTL} = \text{logic 0}$ , OUT = open.                   |
|                           |              | —          | 0.75 | <b>5</b>    | $\mu A$    | MIC2505-2, $V_{CTL} = \text{logic 1}$ , OUT = open.                   |
| Control Input Voltage     | $V_{CTL}$    | —          | 2.1  | 2.4         | V          | $V_{CTL} = \text{logic 0 to logic 1 transition}$                      |
|                           |              | 0.8        | 1.9  | —           | V          | $V_{CTL} = \text{logic 1 to logic 0 transition}$                      |
| Control Input Current     | $I_{CTL}$    | —          | 0.01 | <b>1</b>    | $\mu A$    | $V_{CTL} = \text{logic 0}$  |
|                           |              | —          | 0.01 | <b>1</b>    | $\mu A$    | $V_{CTL} = \text{logic 1}$  |
| Control Input Capacitance | $C_{CTL}$    | —          | 1    | —           | pF         | —   |
| Output MOSFET Resistance  | $R_{DS(ON)}$ | —          | 30   | 50          | m $\Omega$ | MIC2505 Series, $V_{IN} = 5V$ , $T_A = 25^\circ C$ .                  |
|                           |              | —          | —    | <b>60</b>   | m $\Omega$ | MIC2505 Series, $V_{IN} = 5V$ , $-40^\circ C < T_A < +85^\circ C$ .   |
|                           |              | —          | 35   | 60          | m $\Omega$ | MIC2505 Series, $V_{IN} = 3.3V$ , $T_A = 25^\circ C$ .                |
|                           |              | —          | —    | <b>75</b>   | m $\Omega$ | MIC2505 Series, $V_{IN} = 3.3V$ , $-40^\circ C < T_A < +85^\circ C$ . |
|                           |              | —          | 75   | 125         | m $\Omega$ | MIC2506, $V_{IN} = 5V$ , $T_A = 25^\circ C$ .                         |
|                           |              | —          | —    | <b>150</b>  | m $\Omega$ | MIC2506, $V_{IN} = 5V$ , $-40^\circ C < T_A < +85^\circ C$ .          |
|                           |              | —          | 80   | 135         | m $\Omega$ | MIC2506, $V_{IN} = 3.3V$ , $T_A = 25^\circ C$ .                       |
|                           |              | —          | —    | <b>165</b>  | m $\Omega$ | MIC2506, $V_{IN} = 3.3V$ , $-40^\circ C < T_A < +85^\circ C$ .        |
| Output Turn-On Delay      | $t_{ON}$     | <b>200</b> | 850  | <b>2000</b> | $\mu s$    | MIC2505 Series, $R_L = 10\Omega$ , $C_{GATE} = 0$ .                   |
|                           |              | <b>100</b> | 700  | <b>2000</b> | $\mu s$    | MIC2506, $R_L = 10\Omega$ each output.                                |
| Output Turn-On Rise Time  | $t_R$        | <b>500</b> | 3000 | <b>7500</b> | $\mu s$    | MIC2505 Series, $R_L = 10\Omega$ , $C_{GATE} = 0$ .                   |
|                           |              | <b>200</b> | 2000 | <b>6000</b> | $\mu s$    | MIC2506, $R_L = 10\Omega$ each output.                                |

**Note 1:** Devices are ESD protected; however, handling precautions recommended. All limits guaranteed by testing or statistical analysis.

**2:** MIC2505-1 and -2 versions have no open load detect feature.

**3:** Open load threshold is the output voltage ( $V_{OUT}$ ) where FLG becomes active (low) when CTL is low. OUT is pulled high by a 100 k $\Omega$  external resistor to  $V_{IN}$ .

# MIC2505/6

**TABLE 1-1: ELECTRICAL CHARACTERISTICS (CONTINUED)**

**Electrical Characteristics:**  $V_{IN} = +5V$ , GATE = open,  $T_A = 25^\circ C$ , **bold** values are valid for  $-40^\circ C \leq T_A \leq +85^\circ C$ , unless noted. (**Note 1**).

| Parameters                            | Sym.                 | Min.       | Typ. | Max.       | Units      | Conditions  |
|---------------------------------------|----------------------|------------|------|------------|------------|---|
| Output Turn-Off Delay                 | $t_{OFF}$            | —          | 0.7  | <b>20</b>  | $\mu s$    | MIC2505 Series, $R_L = 10\Omega$ , $C_{GATE} = 0$ . |
|                                       |                      | —          | 0.8  | <b>20</b>  | $\mu s$    | MIC2506, $R_L = 10\Omega$ each output.              |
| Output Turn-Off Fall Time             | $t_F$                | —          | 1.5  | <b>20</b>  | $\mu s$    | MIC2505 Series, $R_L = 10\Omega$ , $C_{GATE} = 0$ . |
|                                       |                      | —          | 0.7  | <b>20</b>  | $\mu s$    | MIC2506, $R_L = 10\Omega$ each output.              |
| Output Leakage Current                | $I_{LKG}$            | —          | —    | <b>10</b>  | $\mu A$    | —   |
| Current Limit Threshold               | $I_{LIM}$            | <b>2</b>   | 4    | —          | A          | MIC2505 Series                                      |
|                                       |                      | <b>1</b>   | 2    | 3          | A          | MIC2506   |
| Open Load Threshold ( <b>Note 2</b> ) | $V_{OPENL\_TH}$      | <b>0.5</b> | 1    | <b>1.5</b> | V          | $V_{CTL} = \text{logic low}$ , ( <b>Note 3</b> )    |
| Overtemperature Shutdown Threshold    | $T_{SD}$             | —          | 135  | —          | $^\circ C$ | $T_J$ increasing                                    |
|                                       |                      | —          | 125  | —          | $^\circ C$ | $T_J$ decreasing                                    |
| Error Flag Output Resistance          | $R_{FLG}$            | —          | 10   | <b>25</b>  | $\Omega$   | $V_{IN} = 5V$ , $I_L = 10\text{ mA}$                |
|                                       |                      | —          | 15   | <b>40</b>  | $\Omega$   | $V_{IN} = 3.3V$ , $I_L = 10\text{ mA}$              |
| Error Flag Off Current                | $I_{FLG\_OFF}$       | —          | 0.01 | <b>1</b>   | $\mu A$    | $V_{FLAG} = 5V$                                     |
| UVLO Threshold                        | $V_{UVLO\_TH}$       | <b>2.2</b> | 2.5  | <b>3.0</b> | V          | $V_{IN}$ increasing                                 |
| UVLO Hysteresis                       | $V_{UVLO\_TH\_HYST}$ | —          | 215  | —          | mV         | MIC2505   |
|                                       |                      | —          | 235  | —          | mV         | MIC2506   |

**Note 1:** Devices are ESD protected; however, handling precautions recommended. All limits guaranteed by testing or statistical analysis.

**2:** MIC2505-1 and -2 versions have no open load detect feature.

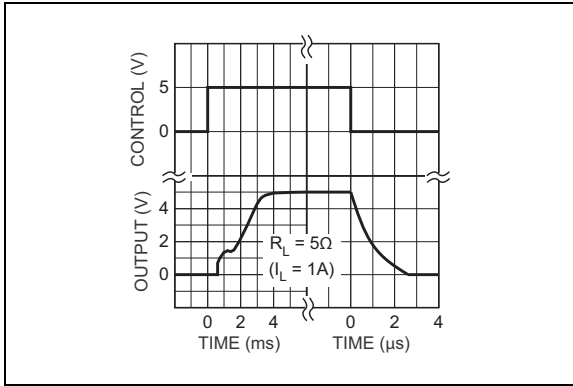
**3:** Open load threshold is the output voltage ( $V_{OUT}$ ) where FLG becomes active (low) when CTL is low. OUT is pulled high by a 100 k $\Omega$  external resistor to  $V_{IN}$ .

## TEMPERATURE SPECIFICATIONS

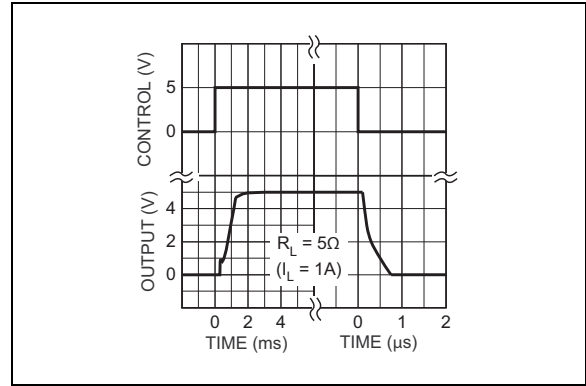
| Parameters                         | Sym.          | Min. | Typ. | Max. | Units        | Conditions    |
|------------------------------------|---------------|------|------|------|--------------|---------------|
| <b>Temperature Ranges</b>          |               |      |      |      |              |               |
| Ambient Operating Temperature      | $T_A$         | -40  | —    | +85  | $^\circ C$   | —             |
| Storage Temperature Range          | $T_S$         | -65  | —    | +150 | $^\circ C$   | —             |
| Lead Temperature                   | —             | —    | —    | +260 | $^\circ C$   | Soldering, 5s |
| <b>Package Thermal Resistances</b> |               |      |      |      |              |               |
| Thermal Resistance, SOIC           | $\theta_{JA}$ | —    | 160  | —    | $^\circ C/W$ | —             |

## 2.0 TYPICAL PERFORMANCE CURVES

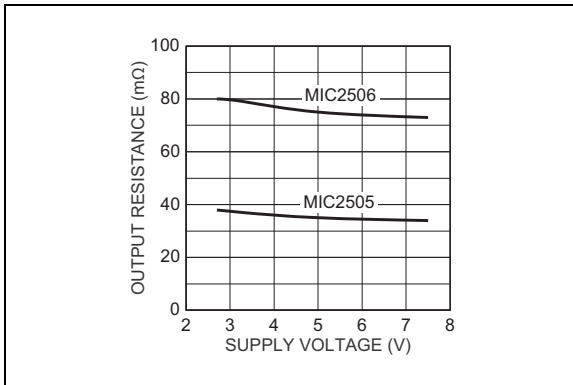
**Note:** The graphs and tables provided following this note are a statistical summary based on a limited number of samples and are provided for informational purposes only. The performance characteristics listed herein are not tested or guaranteed. In some graphs or tables, the data presented may be outside the specified operating range (e.g., outside specified power supply range) and therefore outside the warranted range.



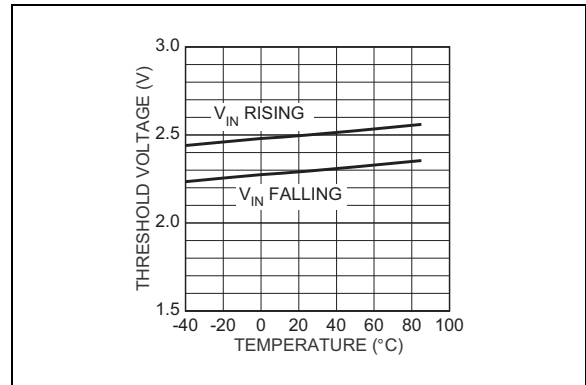
**FIGURE 2-1:** MIC2505 Turn-On, Turn-Off Characteristics.



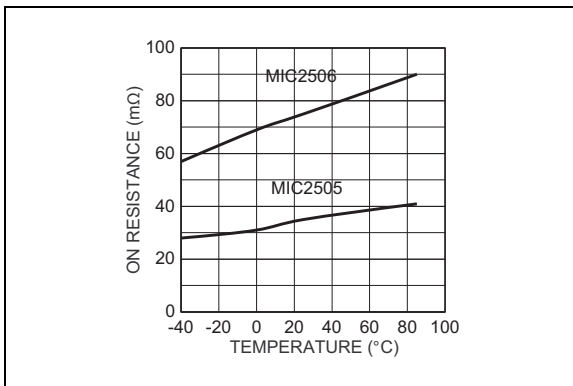
**FIGURE 2-4:** MIC2506 Turn-On, Turn-Off Characteristics.



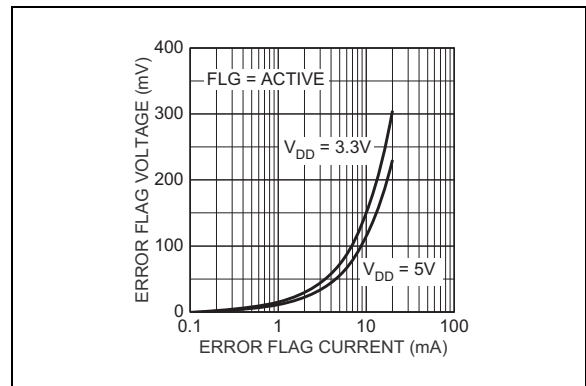
**FIGURE 2-2:** Output On Resistance vs. Supply Voltage.



**FIGURE 2-5:** UVLO Threshold Voltage vs. Temperature.

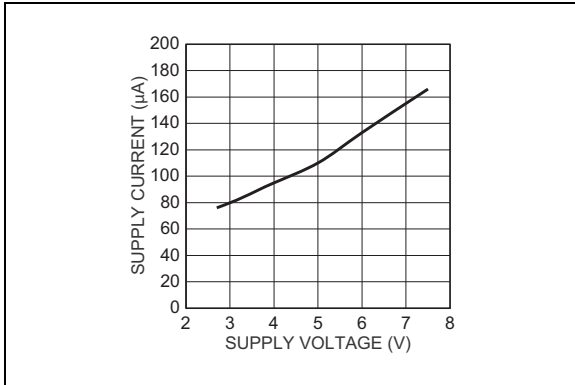


**FIGURE 2-3:** Output On Resistance vs. Temperature.

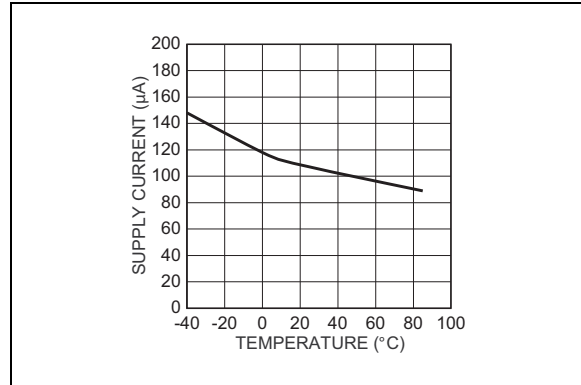


**FIGURE 2-6:** Error Flag Voltage vs. Error Flag Current.

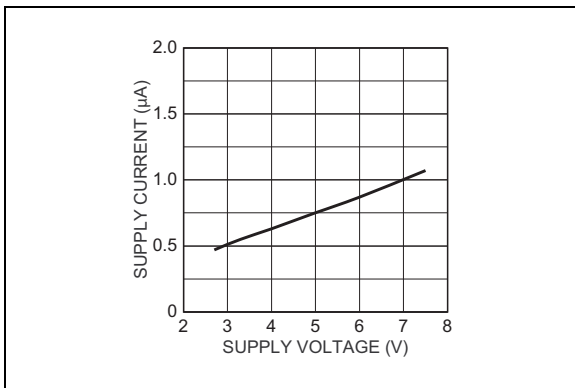
# MIC2505/6



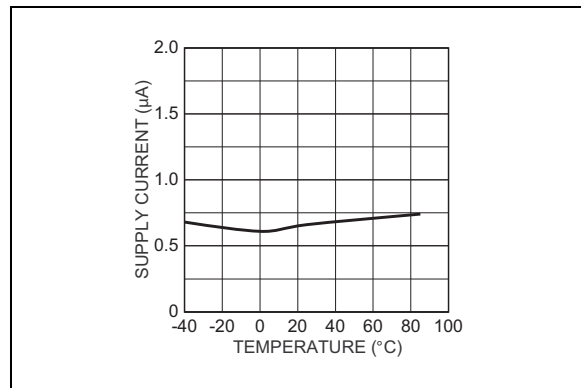
**FIGURE 2-7:** On-State Supply Current vs. Supply Voltage.



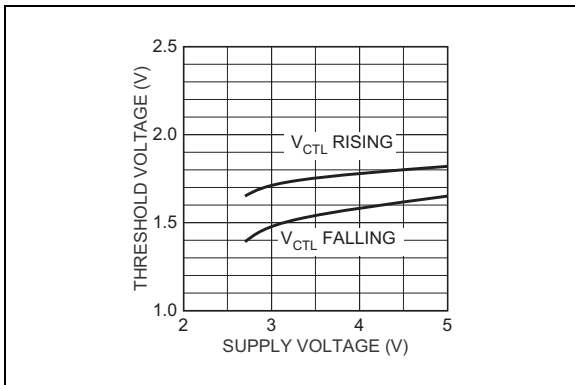
**FIGURE 2-10:** On-State Supply Current vs. Temperature.



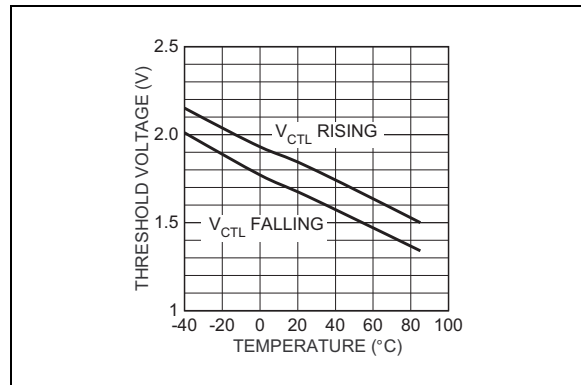
**FIGURE 2-8:** Off-State Supply Current vs. Supply Voltage.



**FIGURE 2-11:** Off-State Supply Current vs. Temperature.

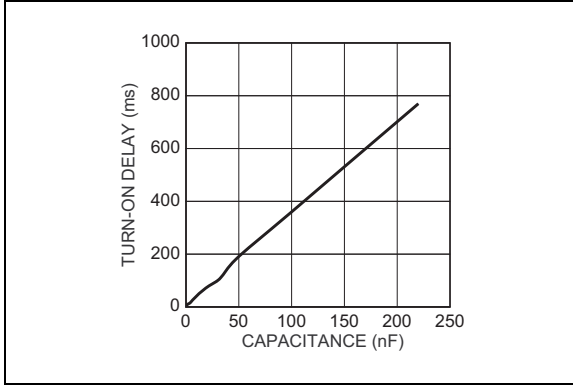


**FIGURE 2-9:** Control Threshold vs. Supply Voltage.



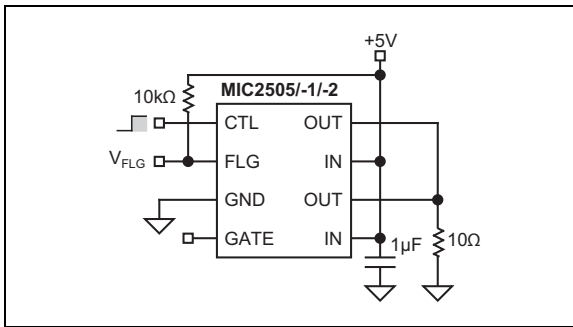
**FIGURE 2-12:** Control Threshold vs. Temperature.



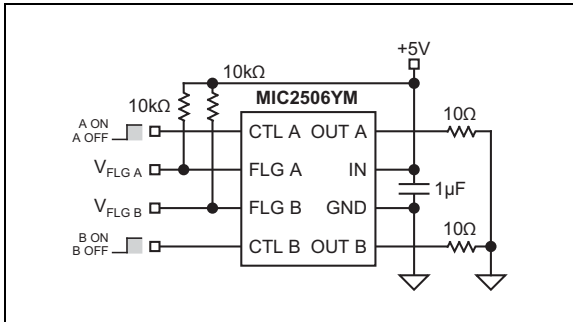


**FIGURE 2-13:** MIC2505 Turn-On Delay with External Gate Capacitance.

### 3.0 TEST CIRCUITS



**FIGURE 3-1:** MIC2505 Series Test Circuit.



**FIGURE 3-2:** MIC2506 Test Circuit.

# MIC2505/6

## 4.0 PIN DESCRIPTIONS

The descriptions of the pins are listed in [Table 4-1](#).

**TABLE 4-1: PIN FUNCTION TABLE**

| Pin Number<br>MIC2505 Series | Pin Number<br>MIC2506 | Pin Name  | Description  |
|------------------------------|-----------------------|-----------|--|
| 1                            | 1, 4                  | CTL (A/B) | Control (Input): TTL-compatible control input. MIC2505, MIC2505-1, and MIC2506 are active-high. MIC2505-2 is active-low.   |
| 2                            | 2, 3                  | FLG (A/B) | Fault Flag (Output): Active-low, open-drain output. If CTL is low, indicates open load. If CTL is high, indicates current limit, thermal shutdown, or UVLO.<br>MIC2505-1 and -2 do not support open-load detect.           |
| 3                            | 6                     | GND       | Ground: Return.  |
| 4                            | —                     | GATE      | Output MOSFET Gate: Open for fastest rise time. Connect capacitor to ground to slow rise time (see <a href="#">Figure 2-13</a> ).  |
| 5, 7                         | 7                     | IN        | Supply Input: Output MOSFET drain. Also supplies IC's internal circuitry. Connect to supply.<br>MIC2505 series only: Pins 5 and 7 must be externally connected together.   |
| 6, 8                         | 8, 5                  | OUT (A/B) | Switch Output: Output MOSFET source. Typically connect to switched side of load. Output voltage can be pulled above input voltage in off mode.<br>MIC2505 series only: Pins 6 and 8 must be externally connected together. |

## 5.0 FUNCTIONAL DESCRIPTION

The MIC2505-series and MIC2506 are high-side N-Channel switches. The MIC2505, MIC2505-1, and MIC2506 have active-high enable inputs. The MIC2505-2 has an active-low input. Fault conditions inhibit output transistor turn-on or turn-off when enabled.

### 5.1 Control Input

CTL (control input) activates the oscillator, thermal shutdown, UVLO, 1.2V reference, and gate control circuits. If there are no fault conditions, the output MOSFET turns on when enabled.

### 5.2 Reference

A 1.2V bandgap reference supplies a regulated voltage to the thermal shutdown and undervoltage lockout circuits. The reference is only active when CTL is enabled.

### 5.3 Oscillator/Charge Pump

The oscillator produces an 80 kHz square wave output that drives the charge pump. The oscillator is enabled when CTL is active.

The charge pump is a voltage quintupler (5x). The charge pump capacitors are self contained.

### 5.4 Gate Control

The gate control circuit charges the output MOSFET gate from the charge pump output or discharges the MOSFET gate to ground as determined by CTL, thermal shutdown, or undervoltage lockout (UVLO).

An optional, external capacitor may be connected to the MIC2505 GATE to lengthen the rise time. This slows the turn on of the MOSFET output switch. (See [Figure 2-13](#)) Because this pin connects directly to the MOSFET gate, use ESD precautions when contacting components connected to this pin. Leakage resistance may increase turn on times.

### 5.5 Input and Output

IN (input) is the supply connection to the logic circuitry and the drain of the output MOSFET. OUT (output) is the source of the output MOSFET. In a typical circuit, current flows through the switch from IN to OUT toward the load.

The output MOSFET and driver circuitry are also designed to allow the MOSFET source to be externally forced to a higher voltage than the drain ( $V_{OUT} > V_{IN}$ ) when the output switch is off and  $V_{IN} > UVLO$  minimum. In this situation, the MIC2505/6 avoids undesirable drain to body diode reverse current flow by grounding the body when the switch is off.

The conventional method for optimum turn-on threshold has the source connected to the body. This would allow a large current to flow when  $V_{SOURCE} > V_{DRAIN} + 0.6V$ .

#### 5.5.1 MIC2505 SERIES ONLY

Duplicate IN and OUT leads are not internally connected. Connect both IN pins to the supply. Connect both OUT leads to the load.

### 5.6 Thermal Shutdown

Thermal shutdown shuts off the output MOSFET and signals the fault flag if the die temperature exceeds 135°C. 10°C of hysteresis prevents the switch from turning on until the die temperature drops to 125°C.

Overtemperature detection functions only when the control input is enabled (output MOSFET is on). Both MIC2506 outputs are shut off during overtemperature, and both flags will go low.

### 5.7 Undervoltage Lockout

UVLO (undervoltage lockout) prevents the output MOSFET from turning on until  $V_{IN}$  (input voltage) exceeds 2.5V typical. After the switch turns on, if  $V_{IN}$  drops below 2.3V typical, UVLO shuts off the output MOSFET and turns the fault flag on (active-low) until  $V_{IN}$  drops below 1.5V.

Undervoltage detection functions only when the control input is enabled (output MOSFET is on).

### 5.8 Overcurrent Limit

The overcurrent limit is preset internally. The preset level prevents damage to the output MOSFET, but allows a minimum current of 2A through the output MOSFET of the MIC2505-series and 1A for each output MOSFET of the MIC2506. Output current is monitored by sensing the voltage drop across the output MOSFET drain metal resistance.

Overcurrent detection functions only when the control input is enabled (output MOSFET is on) and  $V_{IN}$  is above the UVLO threshold.

### 5.9 Open-Load Detection

Open-load detection is available only on the MIC2505 and MIC2506. The open-load detection feature is not included in the MIC2505-1 or -2 versions.

Open-load detection indicates the absence of an output load by activating the fault flag. Open-load detection is optional and is enabled by connecting a high-value pull-up resistor between IN and OUT. If there is no load, the circuit detects a high OUT (output) voltage (typically  $\geq 1V$ ) and signals the fault flag. Under normal

# MIC2505/6

---

conditions, the low resistance of a typical load pulls OUT low. Open-load detection functions only when the control input is low (output MOSFET is off).

## 5.10 Fault Flag

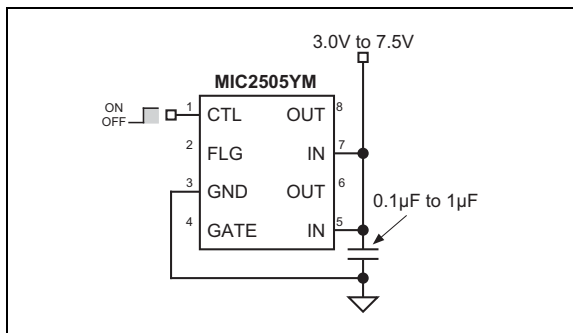
FLG is an N-channel, open-drain MOSFET output. The fault flag is active (low) for one or more of the following conditions: open load (except MIC2505-1 and -2 versions), undervoltage, current limit, or thermal shutdown. The flag output MOSFET is capable of sinking a 10 mA load to typically 100 mV above ground.

## 6.0 APPLICATION INFORMATION

### 6.1 Supply Filtering

A 0.1  $\mu\text{F}$  to 1  $\mu\text{F}$  bypass capacitor from IN to GND, located at the device is strongly recommended to control supply transients. Without a bypass capacitor, an output short may cause sufficient ringing on the input (from supply lead inductance) to destroy the internal control circuitry.

Input transients must not exceed the absolute maximum supply voltage ( $V_{\text{IN(MAX)}} = 7.5\text{V}$ ) even for a short duration.



**FIGURE 6-1:** Supply Bypassing.

The bypass capacitor may be omitted only if board design precautions are followed, such as using extremely short supply leads or power and ground planes.

### 6.2 Control Input

CTL must be driven logic high or logic low, or be pulled high or low for a clearly defined input. Floating the input may cause unpredictable operation. Add a diode clamp if negative spikes may occur. See [Figure 6-2](#).

### 6.3 Open-Load Detection

Refer to the [Typical Application Schematics](#). Open-load detection is available only on the MIC2505 and MIC2506. For USB power distribution applications, the open-load detection feature is not included in the MIC2505-1 or -2 versions.

The optional open-load detection resistor supplies a small pull-up current to the load when the output switch is off. A 100 k $\Omega$  resistor will draw 50  $\mu\text{A}$  from a 5V supply. Normally, the load dominates, pulling OUT low. If the load is absent, the optional resistor pulls OUT high, activating the fault flag if CTL is off.

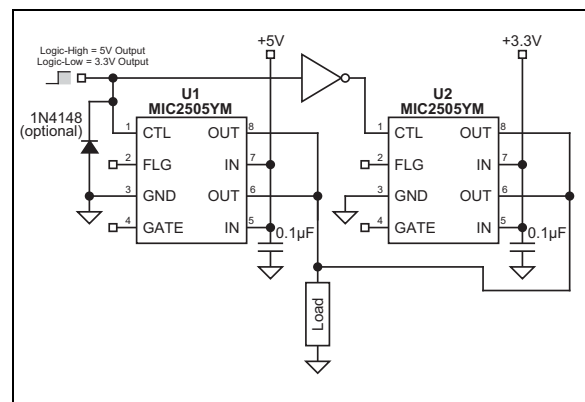
When a load is switched off with CTL, capacitance on the output may cause the open-load function to pull the flag low until the capacitor is discharged below approximately 2.4V.

Omit the pull-up resistor when open load detection is not required and for minimum off-state supply current.

### 6.4 Power Bus Switch

The MIC2505/6 family features a MOSFET reverse current flow prevention circuit. This prevents current from flowing backwards (from OUT to IN) when CTL is disabled as long as  $V_{\text{IN}}$  is above UVLO minimum. In [Figure 6-2](#), when U1 is on and U2 is off, this feature prevents current flow from the load (5V) backward through U2 to the 3.3V supply. If a discrete MOSFET and driver were used, the MOSFET's internal body diode would short the 5V load to the 3.3V supply.

FLG will be active (low) on any switch that is off whenever the load voltage is greater than the open load threshold (approximately 1V) except for MIC2505-1 and MIC2505-2.



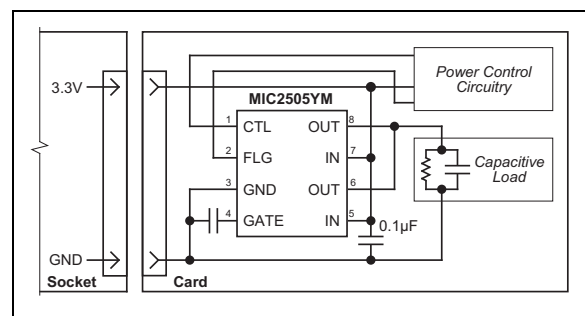
**FIGURE 6-2:** 5V/3.3V Switch Concept.

This circuit's function would otherwise require a dual driver, two MOSFETs, plus two diodes (or a dual driver plus four MOSFETs).

### 6.5 Hot Plug-In Applications (Soft-Start)

The MIC2505/6 family can be used to protect the socket-side and card-side of a supply circuit from transients caused when a capacitive load is connected to an active supply.

The switch presents a high impedance when off, and slowly becomes a low impedance as it turns on. This reduces the inrush current and related voltage drop that result from charging a capacitive load.



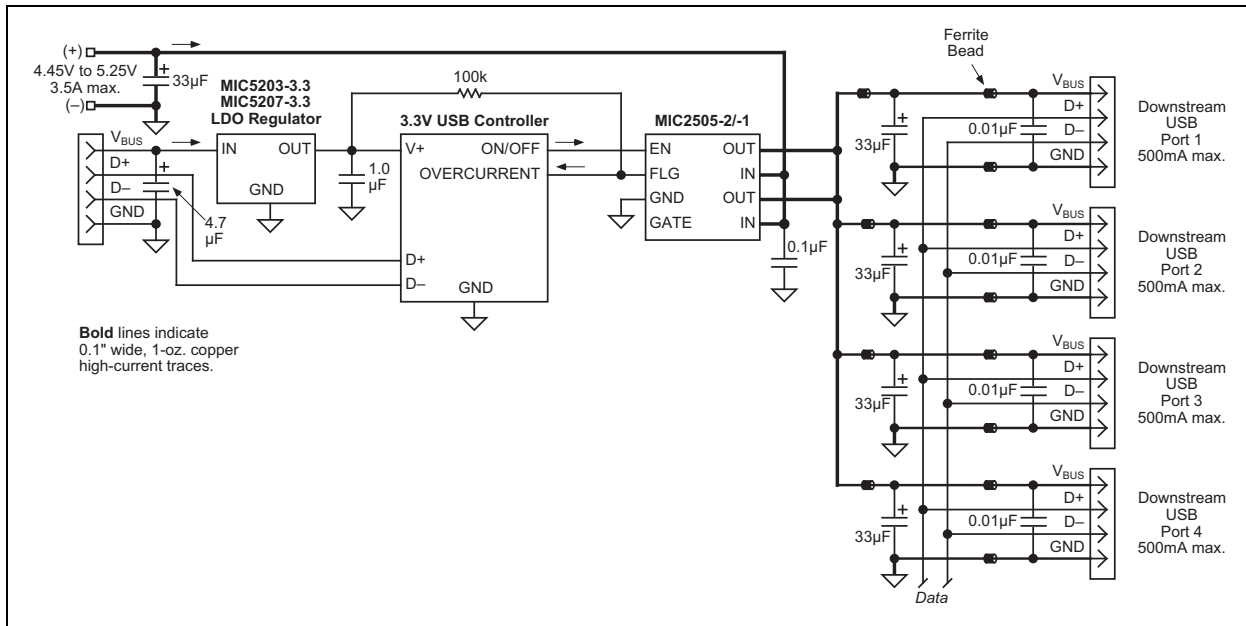
**FIGURE 6-3:** Hot Plug-In Concept.

# MIC2505/6

A gate capacitor may be added to the MIC2505 to slow the turn on time even more, reducing the inrush current. See Figure 2-13. The UVLO feature ensures that each time the card is removed and  $V_{IN} = 0$  that the gate of the output switch is discharged to zero volts. A controlled turn-on is executed each time a board is plugged in, even with multiple insertions.

## 6.6 USB Application

Figure 6-4 depicts a low cost and robust implementation of a four-port, self-powered USB hub circuit employing ganged overcurrent protection.

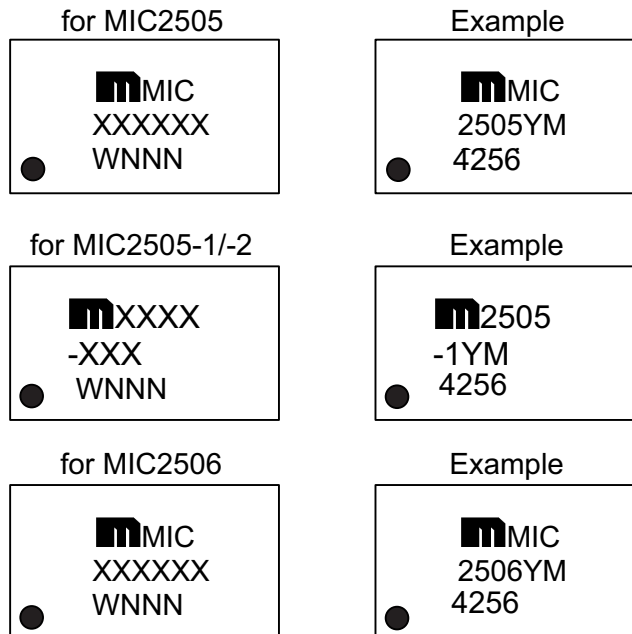


**FIGURE 6-4:** Ganged-Switch Self-Powered Hub.

## 7.0 PACKAGING INFORMATION

### 7.1 Package Marking Information

#### 8-Lead SOIC\*

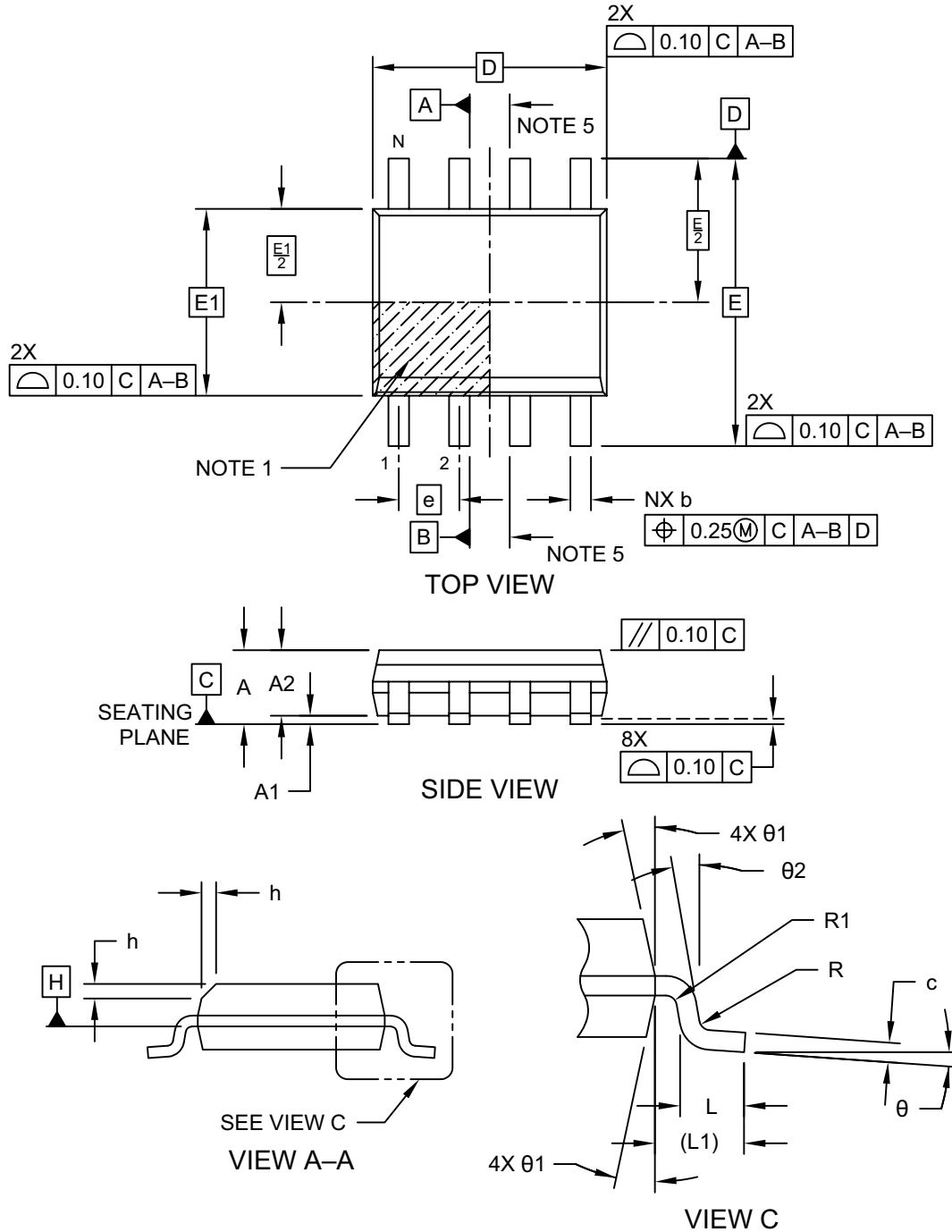


|                |   |
|----------------|---|
| <b>Legend:</b> | <p>XX...X Product code or customer-specific information</p> <p>Y Year code (last digit of calendar year)</p> <p>YY Year code (last 2 digits of calendar year)</p> <p>WW Week code (week of January 1 is week '01')</p> <p>NNN Alphanumeric traceability code</p> <p>(e3) Pb-free JEDEC® designator for Matte Tin (Sn)</p> <p>* This package is Pb-free. The Pb-free JEDEC designator (e3) can be found on the outer packaging for this package.</p> <p>•, ▲, ▼ Pin one index is identified by a dot, delta up, or delta down (triangle mark).</p> |
| <b>Note:</b>   | <p>In the event the full Microchip part number cannot be marked on one line, it will be carried over to the next line, thus limiting the number of available characters for customer-specific information. Package may or may not include the corporate logo.</p> <p>Underbar ( _ ) symbol may not be to scale.</p>   |

# MIC2505/6

## 8-Lead Plastic Small Outline (SN) - Narrow, 3.90 mm (.150 In.) Body [SOIC]

**Note:** For the most current package drawings, please see the Microchip Packaging Specification located at <http://www.microchip.com/packaging>

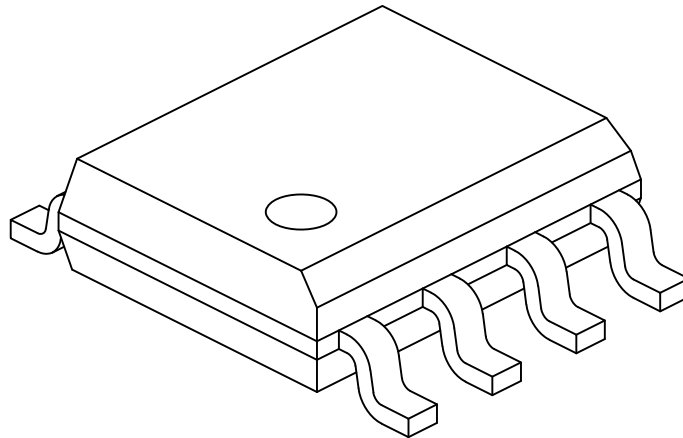


Microchip Technology Drawing No. C04-057-SN Rev K Sheet 1 of 2



## 8-Lead Plastic Small Outline (SN) - Narrow, 3.90 mm (.150 In.) Body [SOIC]

**Note:** For the most current package drawings, please see the Microchip Packaging Specification located at <http://www.microchip.com/packaging>



| Dimension Limits         | Units | MILLIMETERS |     |      |
|--------------------------|-------|-------------|-----|------|
|                          |       | MIN         | NOM | MAX  |
| Number of Pins           | N     | 8           |     |      |
| Pitch                    | e     | 1.27 BSC    |     |      |
| Overall Height           | A     | –           | –   | 1.75 |
| Molded Package Thickness | A2    | 1.25        | –   | –    |
| Standoff §               | A1    | 0.10        | –   | 0.25 |
| Overall Width            | E     | 6.00 BSC    |     |      |
| Molded Package Width     | E1    | 3.90 BSC    |     |      |
| Overall Length           | D     | 4.90 BSC    |     |      |
| Chamfer (Optional)       | h     | 0.25        | –   | 0.50 |
| Foot Length              | L     | 0.40        | –   | 1.27 |
| Footprint                | L1    | 1.04 REF    |     |      |
| Lead Thickness           | c     | 0.17        | –   | 0.25 |
| Lead Width               | b     | 0.31        | –   | 0.51 |
| Lead Bend Radius         | R     | 0.07        | –   | –    |
| Lead Bend Radius         | R1    | 0.07        | –   | –    |
| Foot Angle               | θ     | 0°          | –   | 8°   |
| Mold Draft Angle         | θ1    | 5°          | –   | 15°  |
| Lead Angle               | θ2    | 0°          | –   | –    |

**Notes:**

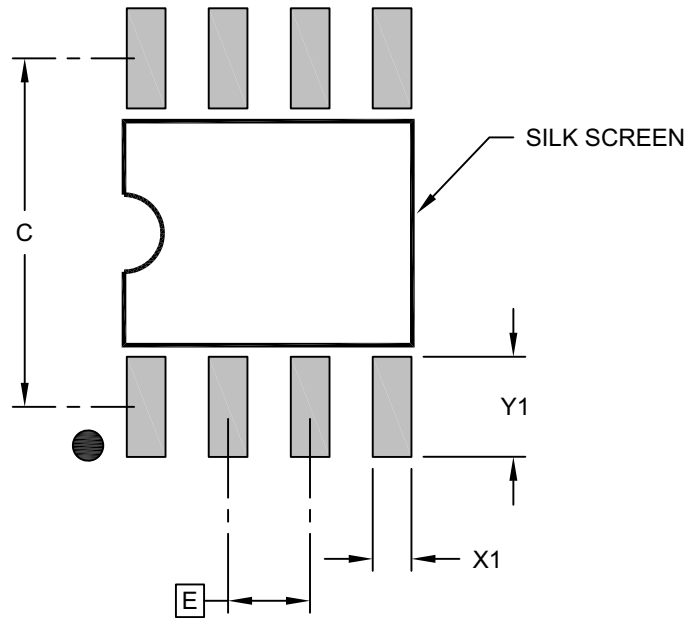
- Pin 1 visual index feature may vary, but must be located within the hatched area.
- § Significant Characteristic
- Dimensions D and E1 do not include mold flash or protrusions. Mold flash or protrusions shall not exceed 0.15mm per side.
- Dimensioning and tolerancing per ASME Y14.5M
  - BSC: Basic Dimension. Theoretically exact value shown without tolerances.
  - REF: Reference Dimension, usually without tolerance, for information purposes only.
- Datums A & B to be determined at Datum H.

Microchip Technology Drawing No. C04-057-SN Rev K Sheet 2 of 2

# MIC2505/6

## 8-Lead Plastic Small Outline (SN) - Narrow, 3.90 mm (.150 In.) Body [SOIC]

**Note:** For the most current package drawings, please see the Microchip Packaging Specification located at <http://www.microchip.com/packaging>



RECOMMENDED LAND PATTERN

| Dimension Limits        | Units | MILLIMETERS |      |      |
|-------------------------|-------|-------------|------|------|
|                         |       | MIN         | NOM  | MAX  |
| Contact Pitch           | E     | 1.27 BSC    |      |      |
| Contact Pad Spacing     | C     |             | 5.40 |      |
| Contact Pad Width (X8)  | X1    |             |      | 0.60 |
| Contact Pad Length (X8) | Y1    |             |      | 1.55 |

**Notes:**

1. Dimensioning and tolerancing per ASME Y14.5M

BSC: Basic Dimension. Theoretically exact value shown without tolerances.

Microchip Technology Drawing C04-2057-SN Rev K

## APPENDIX A: REVISION HISTORY

### Revision C (February 2023)

- Updated [Electrical Characteristics](#).
- Minor text and format changes throughout.

### Revision B (September 2021)

- Updated the [Package Marking Information](#) drawing.

### Revision A (August 2016)

- Converted Micrel document MIC2505/6 to Microchip data sheet DS20005579A.
- Minor text changes throughout.2016-20232016-2023

# MIC2505/6

---

NOTES:

## PRODUCT IDENTIFICATION SYSTEM

To order or obtain information, e.g., on pricing or delivery, contact your local Microchip representative or sales office.

| <u>PART NO.</u>   |  | -X                                 | X                                    | X          | -XX |                |          |                            |  |  |  |  |          |                                    |  |  |  |   |       |   |                                   |  |  |  |   |   |                                      |  |  |  |   |   |                                     |  |  |                     |   |   |                |  |  |                 |   |   |            |  |  |                    |    |   |            |  |  |  |      |   |         |  |  |
|---|--|------------------------------------|--------------------------------------|------------|-----|----------------|----------|----------------------------|--|--|--|--|----------|------------------------------------|--|--|--|---|-------|---|-----------------------------------|--|--|--|---|---|--------------------------------------|--|--|--|---|---|-------------------------------------|--|--|---------------------|---|---|----------------|--|--|-----------------|---|---|------------|--|--|--------------------|----|---|------------|--|--|--|------|---|---------|--|--|
| Device  | Control/<br>Enable and<br>Open-Load Detect | Temperature                        | Package                              | Media Type |     |                |          |                            |  |  |  |  |          |                                    |  |  |  |   |       |   |                                   |  |  |  |   |   |                                      |  |  |  |   |   |                                     |  |  |                     |   |   |                |  |  |                 |   |   |            |  |  |                    |    |   |            |  |  |  |      |   |         |  |  |
| <table border="1"> <tr> <td><b>Device:</b></td> <td>MIC2505:</td> <td colspan="4">Single 2A High-Side Switch</td> </tr> <tr> <td></td> <td>MIC2506:</td> <td colspan="4">Dual 1A High-Side Switch, (Note 1)</td> </tr> <tr> <td><b>Control/Enable and Open-Load Detect:</b></td> <td>Blank</td> <td>=</td> <td colspan="3">Active-High with Open-Load Detect</td> </tr> <tr> <td></td> <td>1</td> <td>=</td> <td colspan="3">Active-High without Open-Load Detect</td> </tr> <tr> <td></td> <td>2</td> <td>=</td> <td colspan="3">Active-Low without Open-Load Detect</td> </tr> <tr> <td><b>Temperature:</b></td> <td>Y</td> <td>=</td> <td colspan="3">-40°C to +85°C</td> </tr> <tr> <td><b>Package:</b></td> <td>M</td> <td>=</td> <td colspan="3">8-Pin SOIC</td> </tr> <tr> <td><b>Media Type:</b></td> <td>TR</td> <td>=</td> <td colspan="3">2,500/Reel</td> </tr> <tr> <td></td> <td>none</td> <td>=</td> <td colspan="3">95/Tube</td> </tr> </table>  |  |                                    |                                      |            |     | <b>Device:</b> | MIC2505: | Single 2A High-Side Switch |  |  |  |  | MIC2506: | Dual 1A High-Side Switch, (Note 1) |  |  |  | <b>Control/Enable and Open-Load Detect:</b> | Blank | = | Active-High with Open-Load Detect |  |  |  | 1 | = | Active-High without Open-Load Detect |  |  |  | 2 | = | Active-Low without Open-Load Detect |  |  | <b>Temperature:</b> | Y | = | -40°C to +85°C |  |  | <b>Package:</b> | M | = | 8-Pin SOIC |  |  | <b>Media Type:</b> | TR | = | 2,500/Reel |  |  |  | none | = | 95/Tube |  |  |
| <b>Device:</b>  | MIC2505:                                   | Single 2A High-Side Switch         |                                      |            |     |                |          |                            |  |  |  |  |          |                                    |  |  |  |   |       |   |                                   |  |  |  |   |   |                                      |  |  |  |   |   |                                     |  |  |                     |   |   |                |  |  |                 |   |   |            |  |  |                    |    |   |            |  |  |  |      |   |         |  |  |
|   | MIC2506:                                   | Dual 1A High-Side Switch, (Note 1) |                                      |            |     |                |          |                            |  |  |  |  |          |                                    |  |  |  |   |       |   |                                   |  |  |  |   |   |                                      |  |  |  |   |   |                                     |  |  |                     |   |   |                |  |  |                 |   |   |            |  |  |                    |    |   |            |  |  |  |      |   |         |  |  |
| <b>Control/Enable and Open-Load Detect:</b>   | Blank                                      | =                                  | Active-High with Open-Load Detect    |            |     |                |          |                            |  |  |  |  |          |                                    |  |  |  |   |       |   |                                   |  |  |  |   |   |                                      |  |  |  |   |   |                                     |  |  |                     |   |   |                |  |  |                 |   |   |            |  |  |                    |    |   |            |  |  |  |      |   |         |  |  |
|   | 1  | =                                  | Active-High without Open-Load Detect |            |     |                |          |                            |  |  |  |  |          |                                    |  |  |  |   |       |   |                                   |  |  |  |   |   |                                      |  |  |  |   |   |                                     |  |  |                     |   |   |                |  |  |                 |   |   |            |  |  |                    |    |   |            |  |  |  |      |   |         |  |  |
|   | 2  | =                                  | Active-Low without Open-Load Detect  |            |     |                |          |                            |  |  |  |  |          |                                    |  |  |  |   |       |   |                                   |  |  |  |   |   |                                      |  |  |  |   |   |                                     |  |  |                     |   |   |                |  |  |                 |   |   |            |  |  |                    |    |   |            |  |  |  |      |   |         |  |  |
| <b>Temperature:</b>   | Y  | =                                  | -40°C to +85°C                       |            |     |                |          |                            |  |  |  |  |          |                                    |  |  |  |   |       |   |                                   |  |  |  |   |   |                                      |  |  |  |   |   |                                     |  |  |                     |   |   |                |  |  |                 |   |   |            |  |  |                    |    |   |            |  |  |  |      |   |         |  |  |
| <b>Package:</b>   | M  | =                                  | 8-Pin SOIC                           |            |     |                |          |                            |  |  |  |  |          |                                    |  |  |  |   |       |   |                                   |  |  |  |   |   |                                      |  |  |  |   |   |                                     |  |  |                     |   |   |                |  |  |                 |   |   |            |  |  |                    |    |   |            |  |  |  |      |   |         |  |  |
| <b>Media Type:</b>  | TR   | =                                  | 2,500/Reel                           |            |     |                |          |                            |  |  |  |  |          |                                    |  |  |  |   |       |   |                                   |  |  |  |   |   |                                      |  |  |  |   |   |                                     |  |  |                     |   |   |                |  |  |                 |   |   |            |  |  |                    |    |   |            |  |  |  |      |   |         |  |  |
|   | none                                       | =                                  | 95/Tube                              |            |     |                |          |                            |  |  |  |  |          |                                    |  |  |  |   |       |   |                                   |  |  |  |   |   |                                      |  |  |  |   |   |                                     |  |  |                     |   |   |                |  |  |                 |   |   |            |  |  |                    |    |   |            |  |  |  |      |   |         |  |  |
| <p><b>Note 1:</b> MIC2506 is only available in an Active-High with Open-Load Detect configuration.</p>  |  |                                    |                                      |            |     |                |          |                            |  |  |  |  |          |                                    |  |  |  |   |       |   |                                   |  |  |  |   |   |                                      |  |  |  |   |   |                                     |  |  |                     |   |   |                |  |  |                 |   |   |            |  |  |                    |    |   |            |  |  |  |      |   |         |  |  |
| <p><b>Examples:</b></p> <p>a) MIC2505YM: Single 2A High-Side Switch, Active-High with Open-Load Detect, -40°C to +85°C Temp. Range, 8-Pin SOIC, 95/Tube</p> <p>b) MIC2505YM-TR: Single 2A High-Side Switch, Active-High with Open-Load Detect, -40°C to +85°C Temp. Range, 8-Pin SOIC, 2,500/Reel</p> <p>c) MIC2505-1YM: Single 2A High-Side Switch, Active-High without Open-Load Detect, -40°C to +85°C Temp. Range, 8-Pin SOIC, 95/Tube</p> <p>d) MIC2505-1YM-TR: Single 2A High-Side Switch, Active-High without Open-Load Detect, -40°C to +85°C Temp. Range, 8-Pin SOIC, 2,500/Reel</p> <p>e) MIC2505-2YM: Single 2A High-Side Switch, Active-Low without Open-Load Detect, -40°C to +85°C Temp. Range, 8-Pin SOIC, 95/Tube</p> <p>f) MIC2505-2YM-TR: Single 2A High-Side Switch, Active-Low without Open-Load Detect, -40°C to +85°C Temp. Range, 8-Pin SOIC, 2,500/Reel</p> <p>g) MIC2506YM: Dual 1A High-Side Switch, Active-High with Open-Load Detect, -40°C to +85°C Temp. Range, 8-Pin SOIC, 95/Tube</p> <p>h) MIC2506YM-TR: Dual 1A High-Side Switch, Active-High with Open-Load Detect, -40°C to +85°C Temp. Range, 8-Pin SOIC, 2,500/Reel</p> |  |                                    |                                      |            |     |                |          |                            |  |  |  |  |          |                                    |  |  |  |   |       |   |                                   |  |  |  |   |   |                                      |  |  |  |   |   |                                     |  |  |                     |   |   |                |  |  |                 |   |   |            |  |  |                    |    |   |            |  |  |  |      |   |         |  |  |

# MIC2505/6

---

NOTES:

---

**Note the following details of the code protection feature on Microchip products:**

- Microchip products meet the specifications contained in their particular Microchip Data Sheet.
- Microchip believes that its family of products is secure when used in the intended manner, within operating specifications, and under normal conditions.
- Microchip values and aggressively protects its intellectual property rights. Attempts to breach the code protection features of Microchip product is strictly prohibited and may violate the Digital Millennium Copyright Act.
- Neither Microchip nor any other semiconductor manufacturer can guarantee the security of its code. Code protection does not mean that we are guaranteeing the product is "unbreakable" Code protection is constantly evolving. Microchip is committed to continuously improving the code protection features of our products.

---

This publication and the information herein may be used only with Microchip products, including to design, test, and integrate Microchip products with your application. Use of this information in any other manner violates these terms. Information regarding device applications is provided only for your convenience and may be superseded by updates. It is your responsibility to ensure that your application meets with your specifications. Contact your local Microchip sales office for additional support or, obtain additional support at <https://www.microchip.com/en-us/support/design-help/client-support-services>.

THIS INFORMATION IS PROVIDED BY MICROCHIP "AS IS". MICROCHIP MAKES NO REPRESENTATIONS OR WARRANTIES OF ANY KIND WHETHER EXPRESS OR IMPLIED, WRITTEN OR ORAL, STATUTORY OR OTHERWISE, RELATED TO THE INFORMATION INCLUDING BUT NOT LIMITED TO ANY IMPLIED WARRANTIES OF NON-INFRINGEMENT, MERCHANTABILITY, AND FITNESS FOR A PARTICULAR PURPOSE, OR WARRANTIES RELATED TO ITS CONDITION, QUALITY, OR PERFORMANCE.

IN NO EVENT WILL MICROCHIP BE LIABLE FOR ANY INDIRECT, SPECIAL, PUNITIVE, INCIDENTAL, OR CONSEQUENTIAL LOSS, DAMAGE, COST, OR EXPENSE OF ANY KIND WHATSOEVER RELATED TO THE INFORMATION OR ITS USE, HOWEVER CAUSED, EVEN IF MICROCHIP HAS BEEN ADVISED OF THE POSSIBILITY OR THE DAMAGES ARE FORESEEABLE. TO THE FULLEST EXTENT ALLOWED BY LAW, MICROCHIP'S TOTAL LIABILITY ON ALL CLAIMS IN ANY WAY RELATED TO THE INFORMATION OR ITS USE WILL NOT EXCEED THE AMOUNT OF FEES, IF ANY, THAT YOU HAVE PAID DIRECTLY TO MICROCHIP FOR THE INFORMATION.

Use of Microchip devices in life support and/or safety applications is entirely at the buyer's risk, and the buyer agrees to defend, indemnify and hold harmless Microchip from any and all damages, claims, suits, or expenses resulting from such use. No licenses are conveyed, implicitly or otherwise, under any Microchip intellectual property rights unless otherwise stated.

For information regarding Microchip's Quality Management Systems, please visit [www.microchip.com/quality](http://www.microchip.com/quality).

**Trademarks**

The Microchip name and logo, the Microchip logo, Adaptec, AVR, AVR logo, AVR Freaks, BesTime, BitCloud, CryptoMemory, CryptoRF, dsPIC, flexPWR, HELDO, IGLOO, JukeBlox, KeeLoq, Klear, LANCheck, LinkMD, maXStylus, maXTouch, MediaLB, megaAVR, Microsemi, Microsemi logo, MOST, MOST logo, MPLAB, OptoLyzer, PIC, picoPower, PICSTART, PIC32 logo, PolarFire, Prochip Designer, QTouch, SAM-BA, SenGenuity, SpyNIC, SST, SST Logo, SuperFlash, Symmetricom, SyncServer, Tachyon, TimeSource, tinyAVR, UNI/O, Vectron, and XMEGA are registered trademarks of Microchip Technology Incorporated in the U.S.A. and other countries.

AgileSwitch, APT, ClockWorks, The Embedded Control Solutions Company, EtherSynch, Flashtec, Hyper Speed Control, HyperLight Load, Libero, motorBench, mTouch, Powermite 3, Precision Edge, ProASIC, ProASIC Plus, ProASIC Plus logo, Quiet-Wire, SmartFusion, SyncWorld, Temux, TimeCesium, TimeHub, TimePictra, TimeProvider, TrueTime, and ZL are registered trademarks of Microchip Technology Incorporated in the U.S.A.

Adjacent Key Suppression, AKS, Analog-for-the-Digital Age, Any Capacitor, AnyIn, AnyOut, Augmented Switching, BlueSky, BodyCom, Clockstudio, CodeGuard, CryptoAuthentication, CryptoAutomotive, CryptoCompanion, CryptoController, dsPICDEM, dsPICDEM.net, Dynamic Average Matching, DAM, ECAN, Espresso T1S, EtherGREEN, GridTime, IdealBridge, In-Circuit Serial Programming, ICSP, INICnet, Intelligent Paralleling, IntelliMOS, Inter-Chip Connectivity, JitterBlocker, Knob-on-Display, KoD, maxCrypto, maxView, memBrain, Mindi, MiWi, MPASM, MPF, MPLAB Certified logo, MPLIB, MPLINK, MultiTRAK, NetDetach, Omniscient Code Generation, PICDEM, PICDEM.net, PICkit, PICtail, PowerSmart, PureSilicon, QMatrix, REAL ICE, Ripple Blocker, RTAX, RTG4, SAM-ICE, Serial Quad I/O, simpleMAP, SimpliPHY, SmartBuffer, SmartHLS, SMART-I.S., storClad, SQI, SuperSwitcher, SuperSwitcher II, Switchtec, SynchroPHY, Total Endurance, Trusted Time, TSHARC, USBCheck, VariSense, VectorBlox, VeriPHY, ViewSpan, WiperLock, XpressConnect, and ZENA are trademarks of Microchip Technology Incorporated in the U.S.A. and other countries.

SQTP is a service mark of Microchip Technology Incorporated in the U.S.A.

The Adaptec logo, Frequency on Demand, Silicon Storage Technology, and Symmcom are registered trademarks of Microchip Technology Inc. in other countries.

GestIC is a registered trademark of Microchip Technology Germany II GmbH & Co. KG, a subsidiary of Microchip Technology Inc., in other countries.

All other trademarks mentioned herein are property of their respective companies.

© 2016-2023, Microchip Technology Incorporated and its subsidiaries.

All Rights Reserved.

ISBN: 978-1-6683-1936-9



# MICROCHIP

## Worldwide Sales and Service

### AMERICAS

**Corporate Office**  
2355 West Chandler Blvd.  
Chandler, AZ 85224-6199  
Tel: 480-792-7200  
Fax: 480-792-7277  
Technical Support:  
<http://www.microchip.com/support>  
Web Address:  
[www.microchip.com](http://www.microchip.com)

#### Atlanta

Duluth, GA  
Tel: 678-957-9614  
Fax: 678-957-1455

#### Austin, TX

Tel: 512-257-3370

#### Boston

Westborough, MA  
Tel: 774-760-0087  
Fax: 774-760-0088

#### Chicago

Itasca, IL  
Tel: 630-285-0071  
Fax: 630-285-0075

#### Dallas

Addison, TX  
Tel: 972-818-7423  
Fax: 972-818-2924

#### Detroit

Novi, MI  
Tel: 248-848-4000

#### Houston, TX

Tel: 281-894-5983

#### Indianapolis

Noblesville, IN  
Tel: 317-773-8323  
Fax: 317-773-5453  
Tel: 317-536-2380

#### Los Angeles

Mission Viejo, CA  
Tel: 949-462-9523  
Fax: 949-462-9608  
Tel: 951-273-7800

#### Raleigh, NC

Tel: 919-844-7510

#### New York, NY

Tel: 631-435-6000

#### San Jose, CA

Tel: 408-735-9110  
Tel: 408-436-4270

#### Canada - Toronto

Tel: 905-695-1980  
Fax: 905-695-2078

### ASIA/PACIFIC

**Australia - Sydney**  
Tel: 61-2-9868-6733

**China - Beijing**  
Tel: 86-10-8569-7000

**China - Chengdu**  
Tel: 86-28-8665-5511

**China - Chongqing**  
Tel: 86-23-8980-9588

**China - Dongguan**  
Tel: 86-769-8702-9880

**China - Guangzhou**  
Tel: 86-20-8755-8029

**China - Hangzhou**  
Tel: 86-571-8792-8115

**China - Hong Kong SAR**  
Tel: 852-2943-5100

**China - Nanjing**  
Tel: 86-25-8473-2460

**China - Qingdao**  
Tel: 86-532-8502-7355

**China - Shanghai**  
Tel: 86-21-3326-8000

**China - Shenyang**  
Tel: 86-24-2334-2829

**China - Shenzhen**  
Tel: 86-755-8864-2200

**China - Suzhou**  
Tel: 86-186-6233-1526

**China - Wuhan**  
Tel: 86-27-5980-5300

**China - Xian**  
Tel: 86-29-8833-7252

**China - Xiamen**  
Tel: 86-592-2388138

**China - Zhuhai**  
Tel: 86-756-3210040

### ASIA/PACIFIC

**India - Bangalore**  
Tel: 91-80-3090-4444

**India - New Delhi**  
Tel: 91-11-4160-8631

**India - Pune**  
Tel: 91-20-4121-0141

**Japan - Osaka**  
Tel: 81-6-6152-7160

**Japan - Tokyo**  
Tel: 81-3-6880-3770

**Korea - Daegu**  
Tel: 82-53-744-4301

**Korea - Seoul**  
Tel: 82-2-554-7200

**Malaysia - Kuala Lumpur**  
Tel: 60-3-7651-7906

**Malaysia - Penang**  
Tel: 60-4-227-8870

**Philippines - Manila**  
Tel: 63-2-634-9065

**Singapore**  
Tel: 65-6334-8870

**Taiwan - Hsin Chu**  
Tel: 886-3-577-8366

**Taiwan - Kaohsiung**  
Tel: 886-7-213-7830

**Taiwan - Taipei**  
Tel: 886-2-2508-8600

**Thailand - Bangkok**  
Tel: 66-2-694-1351

**Vietnam - Ho Chi Minh**  
Tel: 84-28-5448-2100

### EUROPE

**Austria - Wels**  
Tel: 43-7242-2244-39  
Fax: 43-7242-2244-393

**Denmark - Copenhagen**  
Tel: 45-4485-5910  
Fax: 45-4485-2829

**Finland - Espoo**  
Tel: 358-9-4520-820

**France - Paris**  
Tel: 33-1-69-53-63-20  
Fax: 33-1-69-30-90-79

**Germany - Garching**  
Tel: 49-8931-9700

**Germany - Haan**  
Tel: 49-2129-3766400

**Germany - Heilbronn**  
Tel: 49-7131-72400

**Germany - Karlsruhe**  
Tel: 49-721-625370

**Germany - Munich**  
Tel: 49-89-627-144-0  
Fax: 49-89-627-144-44

**Germany - Rosenheim**  
Tel: 49-8031-354-560

**Israel - Ra'anana**  
Tel: 972-9-744-7705

**Italy - Milan**  
Tel: 39-0331-742611  
Fax: 39-0331-466781

**Italy - Padova**  
Tel: 39-049-7625286

**Netherlands - Drunen**  
Tel: 31-416-690399  
Fax: 31-416-690340

**Norway - Trondheim**  
Tel: 47-7288-4388

**Poland - Warsaw**  
Tel: 48-22-3325737

**Romania - Bucharest**  
Tel: 40-21-407-87-50

**Spain - Madrid**  
Tel: 34-91-708-08-90  
Fax: 34-91-708-08-91

**Sweden - Gothenberg**  
Tel: 46-31-704-60-40

**Sweden - Stockholm**  
Tel: 46-8-5090-4654

**UK - Wokingham**  
Tel: 44-118-921-5800  
Fax: 44-118-921-5820