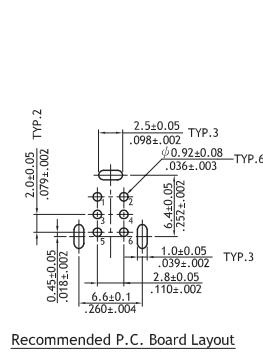
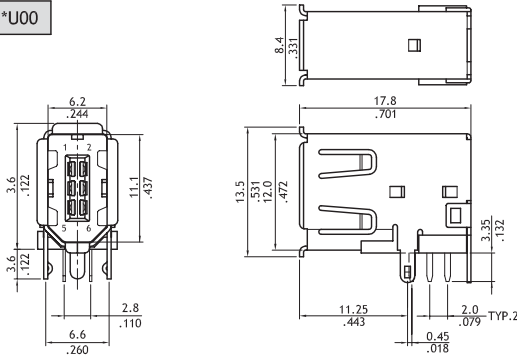


CU05 Series IEEE 1394 Shielded I/O Receptacle Connectors

- Available right angle and up-right right angle version
- With ground pegs
- Provides the interface for speeds up to 400 Mbps
- Full metal shielding for ESD protection
- High-temperature plastic housing for SMT processing
- Gold-plated leaf contacts withstand up to 1500 cycles
- Polarized box shell design and lock grounding fingers ensure plug retention
- Lead Free soldering process available

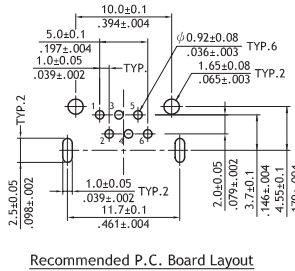
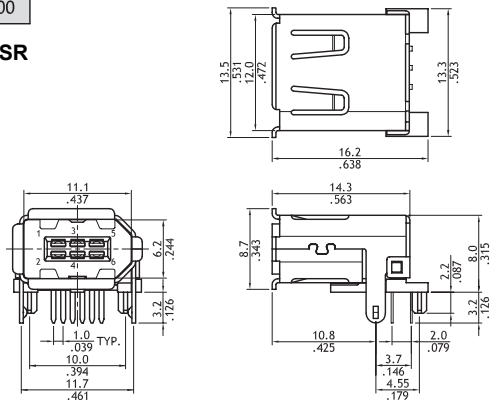
RoHS Compliant

P/N CU05S*H*U00

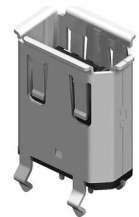
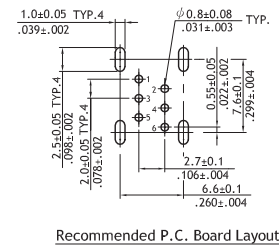
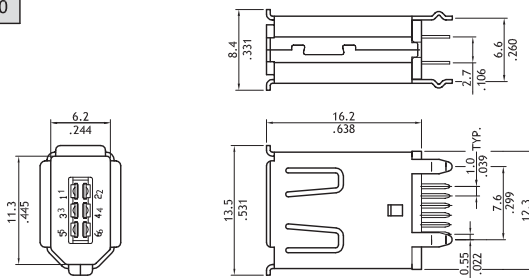


P/N CU05S*H*F00

P/N: IEEE1394SR



P/N CU05SCV*000



P/N CU05S*H*M00

P/N: IEEE1394SR SMD

