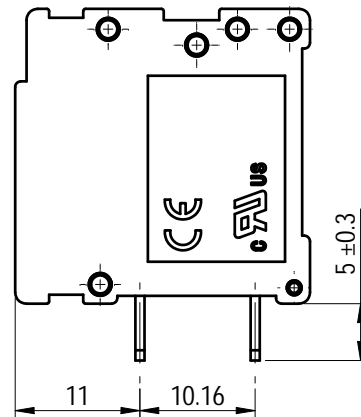
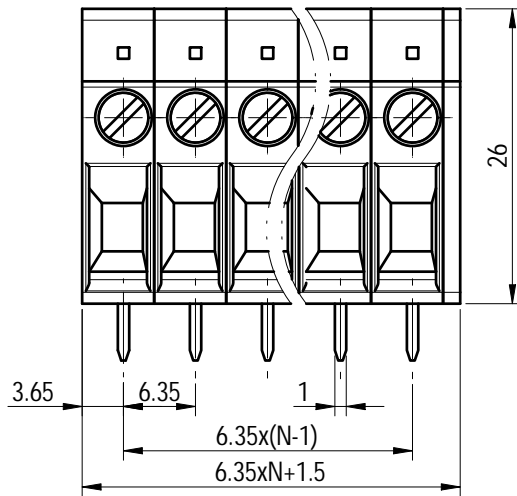
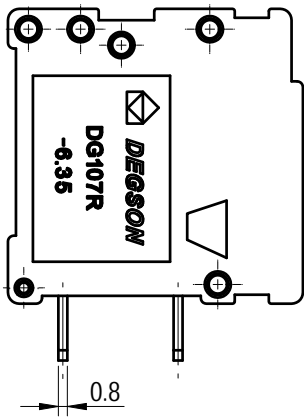
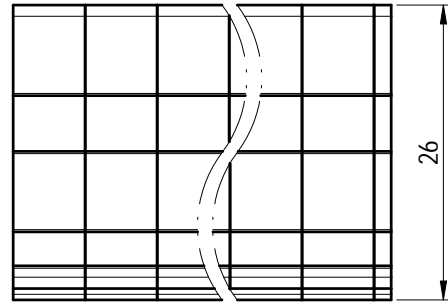
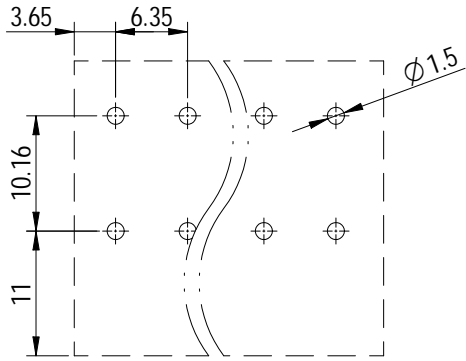
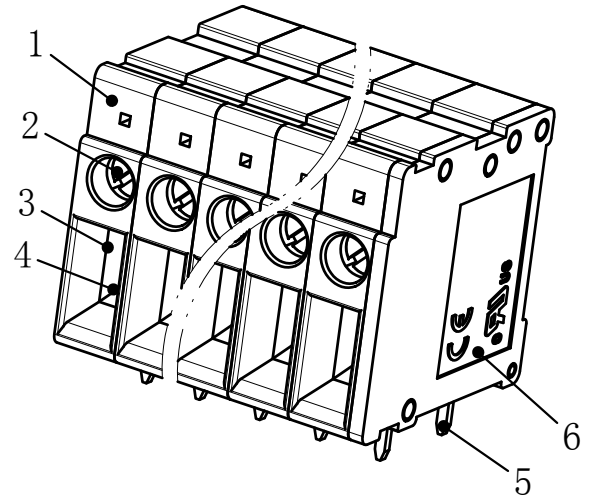


PCB LAYOUT



未注公差/General tolerances (mm)													0.1/10
0	>3	>6	>10	>18	>30	>50	>80	>120	>180	>250	>315	>400	
~3	~6	~10	~18	~30	~50	~80	~120	~180	~250	~315	~400	~500	>500
±0.12	±0.18	±0.22	±0.26	±0.31	±0.37	±0.57	±0.80	±0.93	±1.05	±1.15	±1.60	±2.20	±2.50

UL 标准/UL Standard:	B	C	D
额定电压/电流/Rated Voltage(V)/Current(A)	300/30	/	300/10
IEC 标准/IEC Standard:			
过压类别/Overvoltage Category/污染等级/Pollution Degree	III/3	III/2	II/2
额定电压/电流/Rated Voltage(V)/Current(A)	320/41	320/41	630/41
额定脉冲电压(KV)/Rate Impulse Voltage(KV)	4	4	4
螺丝扭矩/Torque Tightening(N·m/Lb.in)	M3, 0.5/4.43		
线径范围(硬线和软线)/Wire Range(rigid and flexible)(AWG/mm²)	26~10 / 0.5~6.0		
间距/Pitch(mm)/线数范围/Poles	6.35/N=01~20P		
剥线长度/Stripping length(mm)	13~14		
使用温度范围/Operating temperature(°C)	-40~+105		
符合RoHS环保要求/Conform to RoHS	Yes		



Note:  
The A&Z(H) in the name means: A(H) and Z(H).

ITEM	NAME OF PART	MATERIAL	NOTES
6	Cover	PA66	UL94V-0
5	Pin header	Copper	Sn Plated
4	Slider	Steel	Zn Plated
3	Cage	Steel	M3/Zn Plated
2	Screw	Steel	M3/Zn Plated
1	Housing	PA66	UL94V-0

		MATERIAL:	SURFACE/COLOR:		
APPD: 兰春华 2022.12.05		MAT NO./REV: - / 00	MAT STATUS: 批量		
CHKD: 陈招 2022.12.05		NAME			
DRFT: 巴宇辉 2022.12.05		DG107R-6.35-XXP-1Y-00A&Z(H)			
DRAWING NO.	TYPE	DRAWING STATUS	SCALE	SHEET	
200123947		已发布	1.5:1	1/1	

REV	ECN	DESCRIPTION	DRFT	DATE
00			巴宇辉	2022.12.05

Transfer or duplication of this document as well as the utilization or communication of its contents are prohibited unless authorized in writing by DEGSON. All rights reserved for patent. 未经授权复制或传播本文件以及其内容的使用均被禁止。保留所有权利。如有侵权，请联系本公司法务部处理。