

1

2

3

4

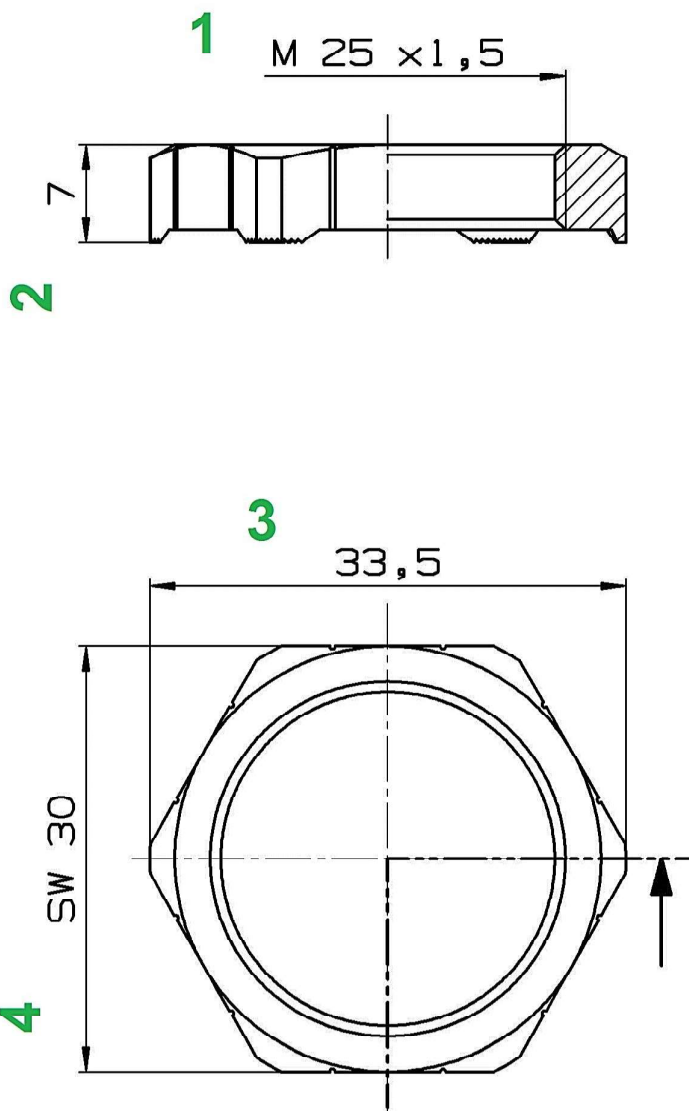
A

B

C

D

E

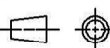


## Kundenzzeichnung



**PFLITSCH**  
Competence in Cable Management  
www.pflitsch.de

Allgemeintoleranzen  
General Tolerances



DIN ISO 2768 - m

Tolerierung  
nach  
DIN ISO 8015

M 2:1

16.8851 g

1.9961 cm<sup>3</sup>

Material 2.0401-CuZn39Pb3

5

Dimension S30 x20

Bearbeitet  
Draw by

05.09.2007

U.Schwinning

Geprüft  
checked by

05.09.2007

Stroh

Norm  
Standard

05.09.2007

Stroh

Copyright DIN ISO 16016 shall be observed!

The reproduction, distribution and utilization of this document as well as the communication of its contents to others without express authorization is prohibited. Offenders will be held liable for the payment of damages. All rights reserved in the event of the grant of a patent, utility model or design.

Benennung / Title

PA Gegenmutter

GMM 225 PA

Artgr. / Article category 54051

Var.

Blatt

CAD-Nr. / Drawing-Nr. 200794

1

0

Sheet 02

1

Winkel 25°

09.12.2013

Schwebke

Index Bemerkung/Comment

Date

Name

Original Format

[A4]

Ers.f.:

Ers.d.:

of 02