

SPECIFICATIONS:

Rating: UL 300V 30A
 Contact Resistance: 20m Ω
 Insulation Resistance: 500M Ω/DC500V
 Withstanding Voltage: 1600 VAC for 1min.
 Wire Range: 22~10 AWG
 Temperature Range: -40°C to +105°C
 Torque: 1.2Nm(10.6Lb.in)

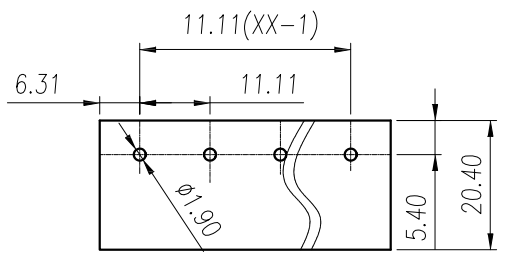
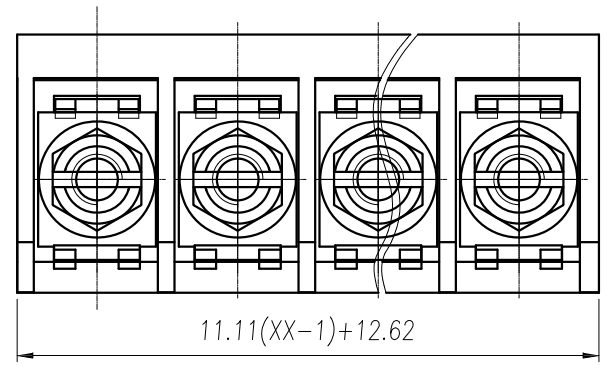
MATERIAL

Contact: Copper Alloy, Tin plated
 Insulator: PA66, UL94V-0
 Screw: M4.0 steel Nickel

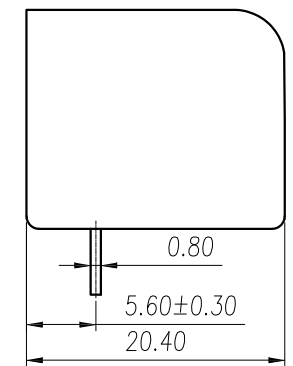
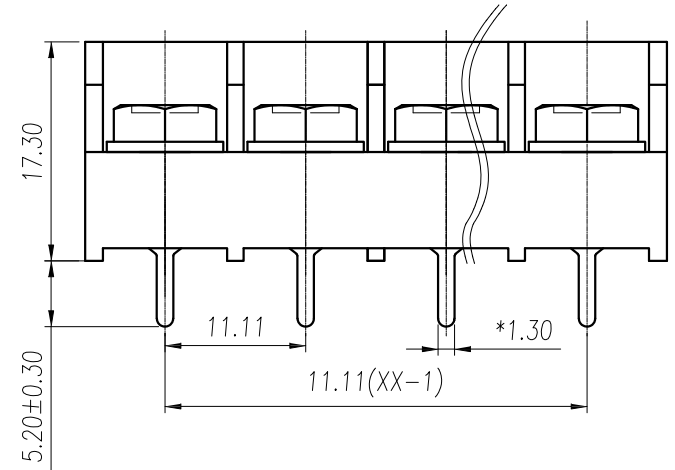
ORDER INFORMATION

WB66B - 11.11 - XX - 1 - X

SERIES	PITCH	No. of Contacts	1:Single pitch	6:Red
	11.11mm		2:Double pitch	7:Transparent
			3:Black	8:Yellow
			4:Green	9:White
			5:Orange	



P.C.B LAYOUT



TITLE: TERMINAL BLOCK		PART NO.		WB66B-11.11-XX-XX		DRAWN		
		DRAWING NO.		WB66B-11.11-XX-XX		CHECKED		
		DATE				APPROVED		
REV.	A0	TOLERANCE	.X ±0.25 .XX ±0.20	SCALE	1:1	UNIT	mm	