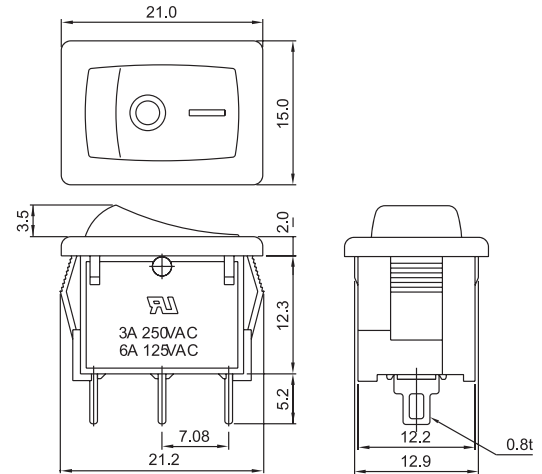




RE SERIES

DIMENSIONS (Unless otherwise specified, a tolerance of ±0.4 mm applies to all dimensions.)



SPECIFICATIONS

Contact Resistance (initial).....Max. 50mΩ
 Insulation Resistance (at 500VDC/minute).....Min. 100MΩ
 Dielectric Strength.....AC 1250VAC (50~60Hz)
 Storage Temperature Range.....-25°C to 85°C
 Storage Humidity.....at 40°C, Max.85%R.H
 Vibration.....10~55Hz, displacement 0.75mm (p-p)
 Electrical Service Life.....Min. 10,000 operations
 Electrical Operating Frequency.....10~30 operations per minute

CONTACT CONFIGURATION



RATING

3A 125VAC, 6A 250VAC, 12A 250VAC

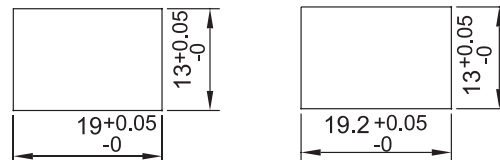
APPLICATION

Juicer blender, Food processor, etc.

MOUNTING HOLES

t=0.8mm
t=1.0mm

t=1.2mm

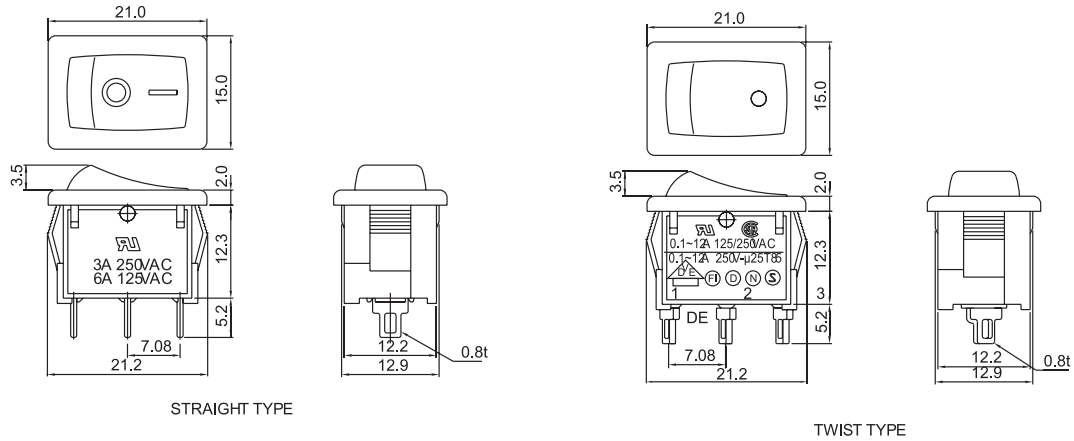


ORDERING INFORMATION

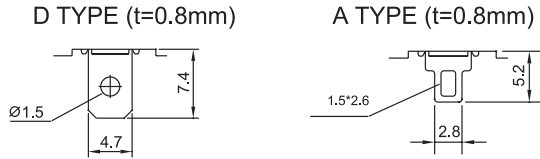
R E - 1 2 S - A 1 B A - 2 - Z

CODE	RATING CURRENT	CODE	OPERATING FORCE	CODE	TERMINAL TYPE	CODE	TERMINAL PROCESS	CODE	ACTUATOR COLOR	CODE	CIRCUIT ARRANGEMENT	CODE	ACTUATOR MARKING	CODE	ROHS Code
06	3A 250 VAC 6A 125 VAC	S	Max. 700gf	A	SOLDER	1	Straight	B	BLACK	A	SPST	0			
12	12A 125/250 VAC			D	#187 QUICK CONNECT TERMINAL	2	Twist			B	SPDT	1	I,O		
												2	.		
												3	L,H		
												4	I,φ		

TERMINAL PROCESS



TERMINAL TYPES



CERTIFICATE INFORMATION

UL	6A 125 VAC, 3A 250 VAC, 12A 250 VAC, 6000 cycles (Temp: 55°C)
CSA	12A 250 VAC, 6000 cycles
SEMKO, NEMKO	12A 250 VAC, 25T85 - 10000 cycles
FIMKO, DEMKO, VDE	