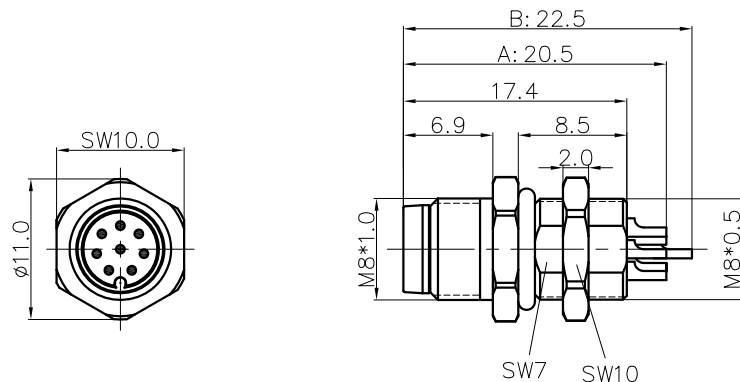


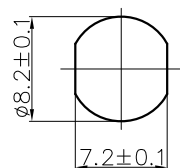
REVISION RECORD

REV	ECN	DESCRIPTION	DRFT	DATE
-----	-----	-------------	------	------



NOTES:

- Rated voltage/current : 3pin: 60V / 3A
4pin: 60V / 3A
5pin: 30V / 3A
6pin: 30V / 1.5A
8pin: 30V / 1.5A
- Withstanding voltage : 3,4pin: AC850V/1Min
5,6,8pin: AC650V/1Min
- Levels of protection: IP67
- Wire range : 3pin: 24~22AWG/0.25~0.34mm²
4pin: 24~22AWG/0.25~0.34mm²
5pin: 24~22AWG/0.25~0.34mm²
6pin: 26~24AWG/0.14~0.25mm²
8pin: 26~24AWG/0.14~0.25mm²
- Wire connection mode: soldering
- Operating temperature: -40°C~+105°C
- For Panel Thickness Range: 2.0~3.5mm
- RoHS Compliance
- Tolerance :
.X ±0.25mm
.XX ±0.1mm
Angles ±1°



Panel cut

SD-M8X-XXP-MM-SH7002-00A(H)
Coding: A,B
Pin number: 03,04,
05,06,08

8pin A Coding	A	B
6pin A Coding	A	B
5pin B Coding	A	
4pin A Coding	A	
3pin A Coding	A	
Description	General dimension	

3pin A Coding	4pin A Coding	5pin B Coding	6pin A Coding	8pin A Coding
Pin Assignment Front View	Pin Assignment Front View	Pin Assignment Front View	Pin Assignment Front View	Pin Assignment Front View

DETACHED LISTS	PART NO.: SDM8XXXPMMSH700200AH	宁波高松电子有限公司 NINGBO DEGSON ELECTRICAL CO., LTD		
	APPD:	NAME: SD-M8X-XXP-MM-SH7002-00A(H)		
	CHKD:	TITLE: CUSTOMER DRAWING		
	DRFT: SQ 2019.05.17	REV	D0-1	
THIRD ANGLE PROJECTION		DRAWING NO.: XXXXXXXX-XX-CXX	SHEET	1/1
		MM (INCH)	DO NOT SCALE DRAWING	SCALE 1:1