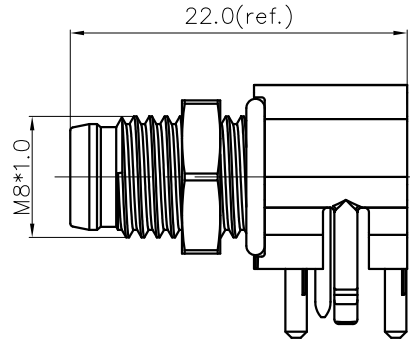
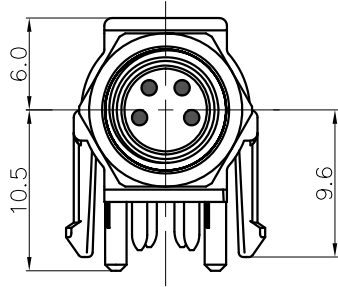


REVISION RECORD

REV	ECN	DESCRIPTION	DRFT	DATE
-----	-----	-------------	------	------



SR-M8A-XXP-MM-SF7005-00A(H)

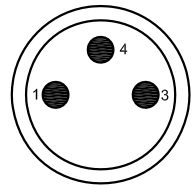
PIN NO.: 03, 04

NOTES:

- Rated voltage/current : 3pin:60V / 3A
4pin:60V / 3A
- Withstanding voltage : 850V
- Levels of protection:IP67
- Wire connection mode:soldering(PCB)
- Operating temperature:-20°C~+80°C
- For Panel Thinkness Max: 1.0~2.5mm
- RoHS Compliance
- Tolerance :

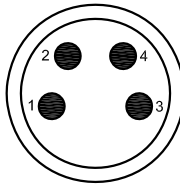
.X	±0.25mm
.XX	±0.1mm
∠	±1°

3pin A Coding



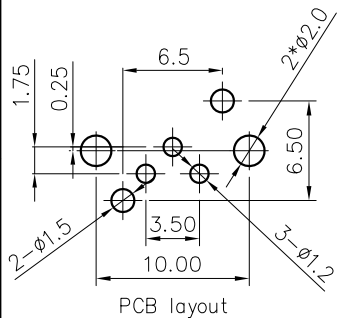
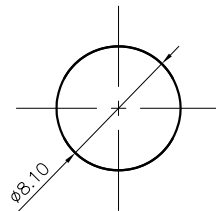
Pin Assignment Front View

4pin A Coding

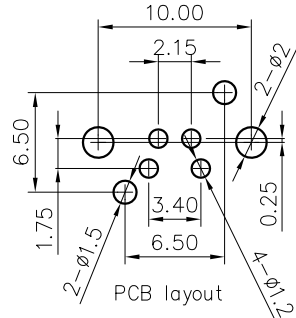


Pin Assignment Front View

Panel mounted



PCB layout



PCB layout

DETACHED LISTS	PART NO.: SRM8AXXPMMSF700500AH		宁波高松电子有限公司 NINGBO DEGSON ELECTRICAL CO., LTD	
	APPD:	NAME: SR-M8A-XXP-MM-SF7005-00A(H)		
	CHKD:			
	DRFT:	TITLE: CUSTOMER DRAWING	REV	
THIRD ANGLE PROJECTION		DRAWING NO.: XXXXXXXX-XX-CXX	SHEET	1/1
		DO NOT SCALE DRAWING	SCALE	1:1