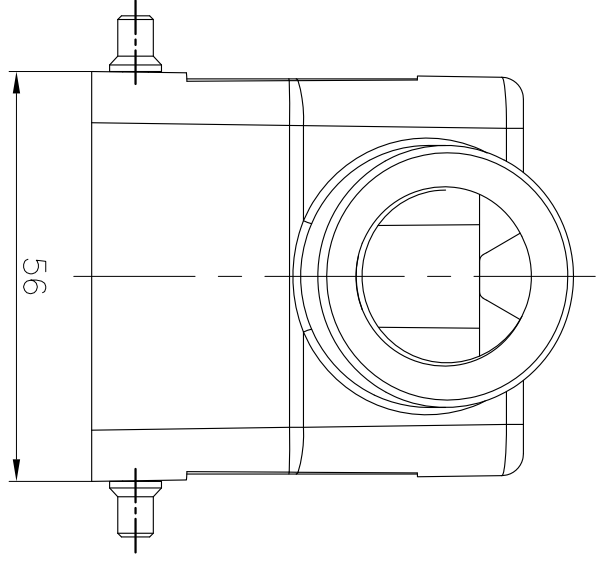
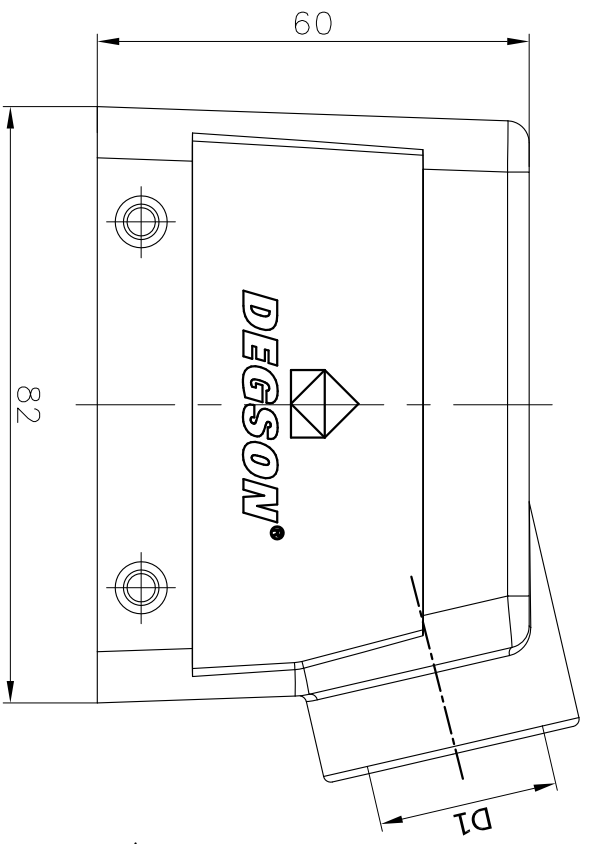
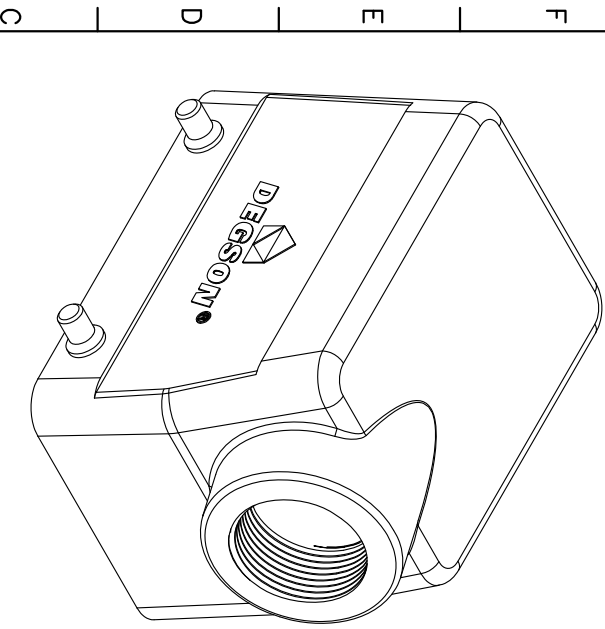


TYPE	Thread(D1)	Selection
D32A-SE-4g-M25	M25	
D32A-SE-4g-PG21	PG21	

REVISION RECORD				
REV	ECN	DESCRIPTION	DRFT	DATE



- Hoods Feature
- 01. Material: Aluminium die-cast
 - 02. Surface: Powder-coated
 - 03. Color: grey (RAL 7037)
 - 04. Limiting temperatures: -40°C~+125°C
 - 05. Flammability acc to UL94: V0
 - 06. Degree of protection acc. to EN60529 for coupled connector: IP65
 - 07. Rohs Compliance

DETACHED LISTS				
PART NO.:	NAME: DEGSON NINGBO DEGSON ELECTRICAL CO., LTD 宁波高松电子有限公司			
APPD:	TITLE: CUSTOMER DRAWING			
CHKD:	DRAWING NO.: 1/1			
DRFT: Mr. yong	2016.08.15		REV DO-1	
THIRD ANGLE PROJECTION		DO NOT SCALE DRAWING		SCALE 1:1

A 8 7 6 5 4 3 2 1