

Miniature Toggle Switch MTS-102-A2



Specification

1. Product Name : MTS-102-A2 ;MTS-103-A2

MTS-112-A2 MTS-113-A2 ;MTS-123-A2

1. Rating : 6A 125VAC ; 3A 250VAC
2. Contact Resistance:20mΩ max
3. Insulation Resistance:500VDC 1000MΩ min
4. Dielectric Strength:1500VAC 1Minute
5. Operating Temperature:-25°C~+85°C
6. Electrical Life:10000 Cycles

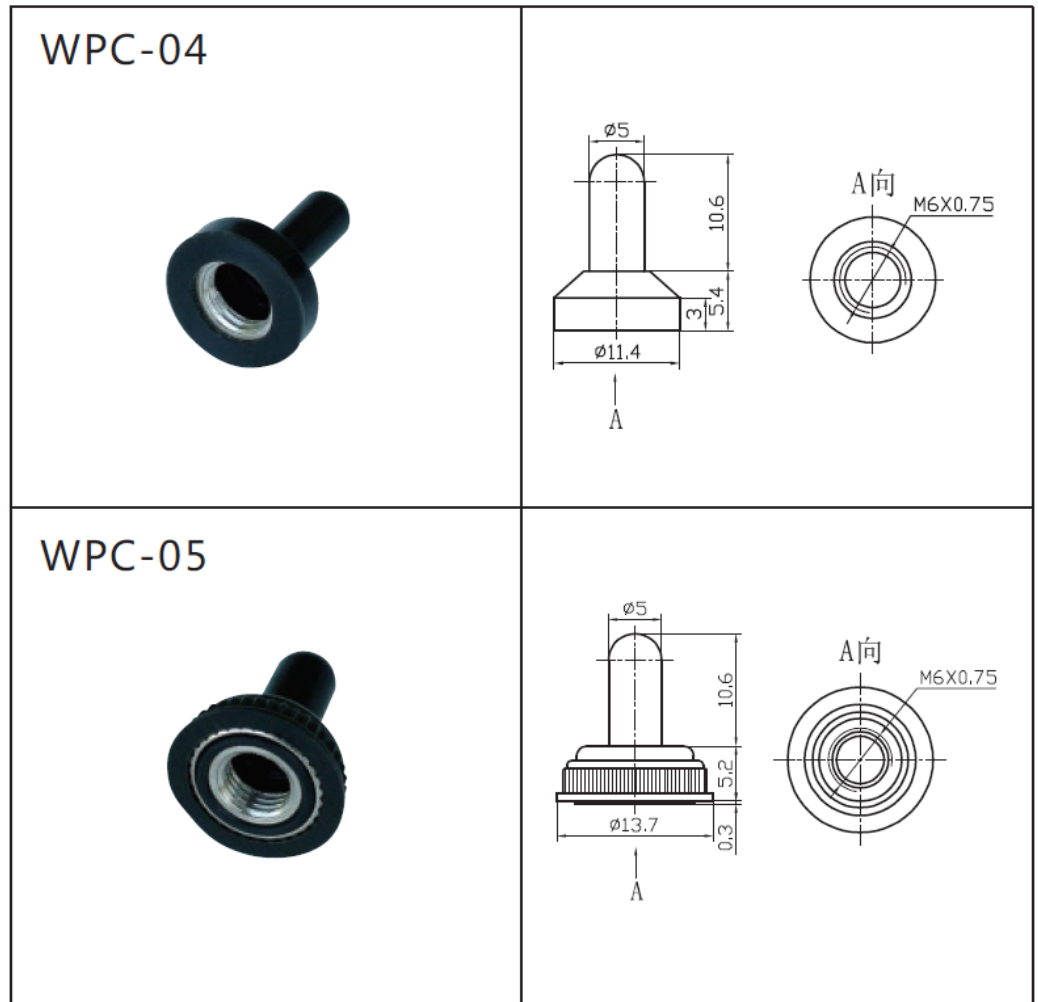
7. Handle options:

Standard (A)	Long (B)	Short (C)	With handle cap (D)	Grand (G)	Large handle (L)	Plastic Flat (E)	Metal Flat (F)	Long Metal Flat (FL)
				1/4-40NS	M12X0.75	1/4-40NS		

8. Base color and material:

Material	Base color	
PBT	Blue	
Bakelite	Red	Black

9. Water proof cap:



- 10. Circuitry trait:ON-ON;ON-OFF-ON;ON-(ON);ON-OFF-(ON);(ON)-OFF-(ON)
- 11. Switch pin:SPDT 3P
- 12. Certification system : TUV、 UL、 IOS9001:2015、 CE、 ENECandOther

Product details and dimensions

