

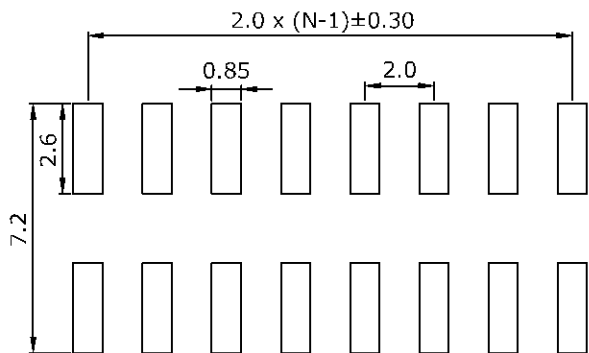
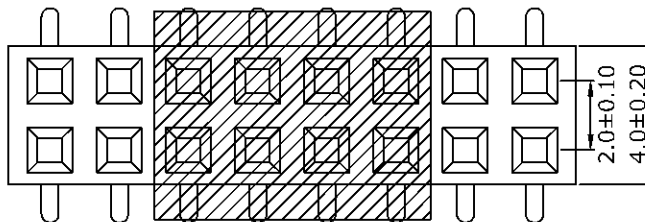
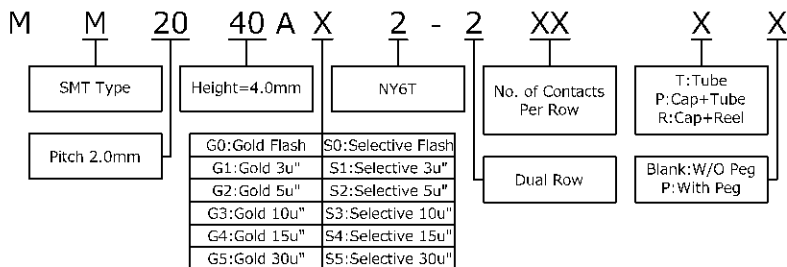
SPECIFICATIONS

Current Rating: 2.0A AC,DC
 Contact Resistance: 20mΩ Max
 Insulation Resistance: 1000MΩ Min
 Withstanding Voltage: 500V AC for 1minute
 Temperature Range: -40°C ~ +105°C

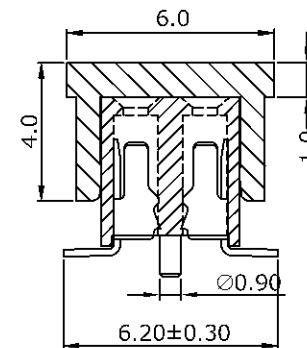
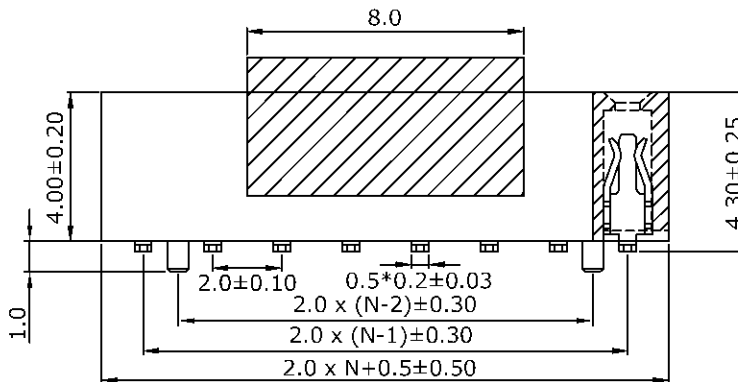
MATERIAL

Contact: Phosphor Bronze
 Insulator: NY6T+30% G.F., UL94V-0

ORDER INFORMATION



Recommended PCB Layout
 (PCB TOLERANCE ±0.05)



TITLE: Female Header 2.0mm Plastic H=4.0mm	PART NO.	MM2040AX2-2XXX	DRAWN	Andrew
	DRAWING NO.	MM2040AX2-2XXX	CHECKED	Claudia
	DATE	2020/04/17	APPROVED	Brian

REV. A0	TOLERANCE	.X ±0.25 .XX ±0.20	SCALE	1:1	UNIT	mm	NO.	DESCRIPTION	DATE
---------	-----------	-----------------------	-------	-----	------	----	-----	-------------	------