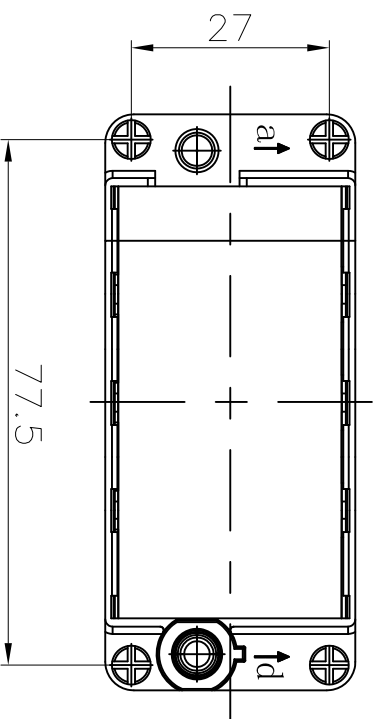
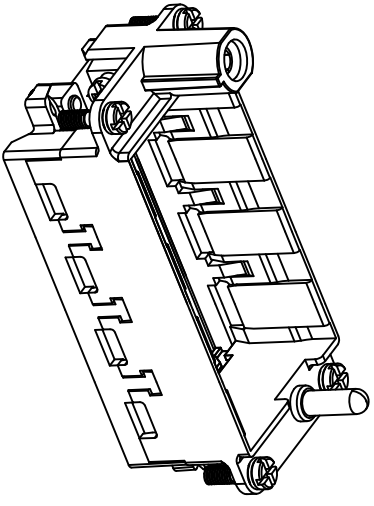
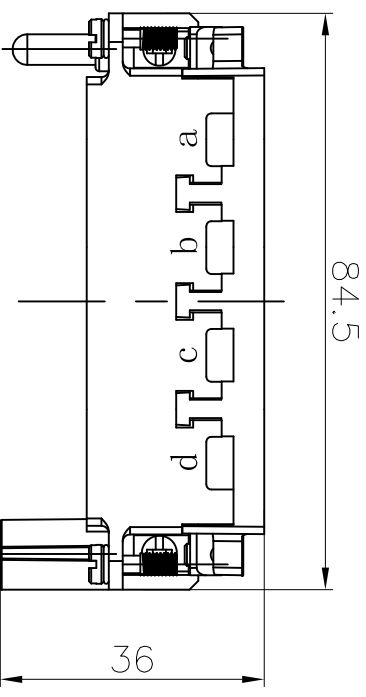
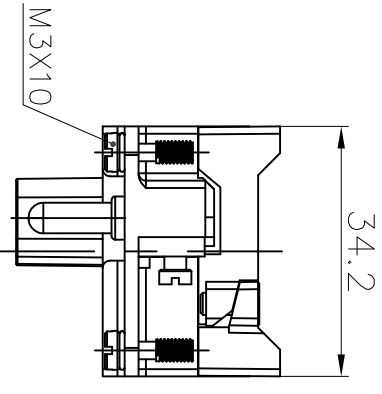



REVISION RECORD				
REV	ECN	DESCRIPTION	DRFT	DATE



Modular

1. Material: Zinc die-cast
2. Marking: a-d
3. Number for modules: 4 modules
4. Power side: 4~10mm<sup>2</sup>
5. AWG: 12-8
6. Signal side: 1~2.5mm<sup>2</sup>
7. AWG: 18-14
8. Rohs Compliance

DETACHED LISTS			
PART NO.:	/	 宁波高松电子有限公司 NINGBO DEGSON ELECTRICAL CO., LTD	
APPD:			
CHKD:			
DRFT:	Mf.yong2016.06.18	TITLE:	CUSTOMER DRAWING
		DRAWING NO.:	DF16B-LA-E01
			DO NOT SCALE DRAWING
		SCALE	1:1

A 8 7 6 5 4 3 2 1