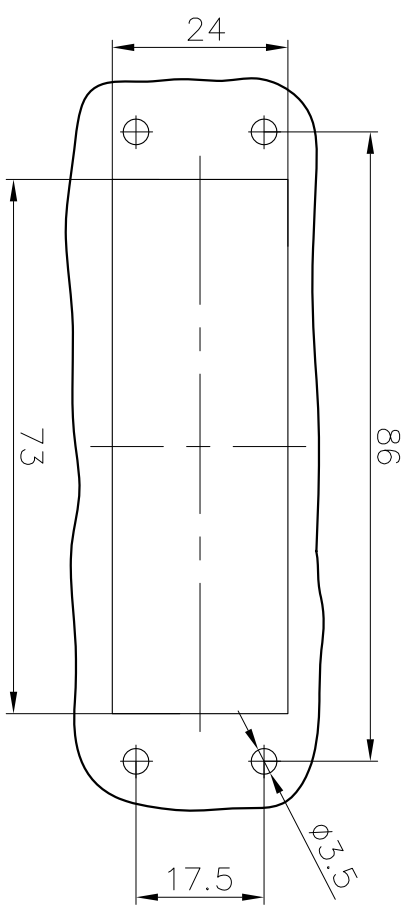
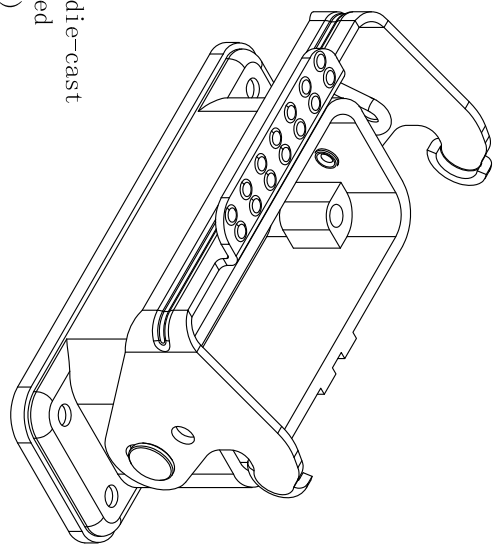
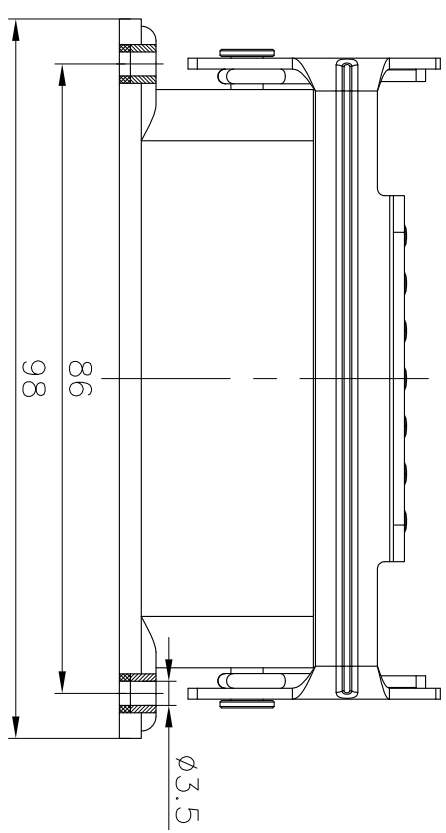
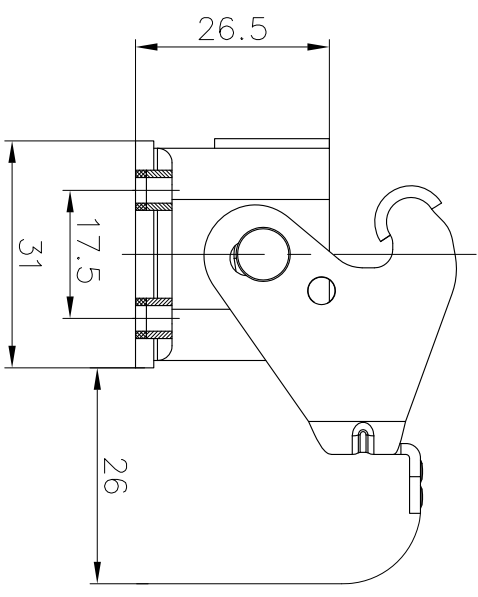


REVISION RECORD				
REV	ECN	DESCRIPTION	DRFT	DATE



Panel cut out

- Housings Feature
- 01. Material: Aluminum die-cast
  - 02. Surface: Powder-coated
  - 03. Color: grey (RAL 7037)
  - 04. Material: Metal (Lever)
  - 05. Limiting temperatures: -40°C ~ +125°C
  - 06. Housings sealing: NBR
  - 07. Flammability acc to UL94: V0
  - 08. Degree of protection acc. to EN60529 for coupled connector: IP65
  - 09. Rohs Compliance

DETACHED LISTS				
PART NO.:	DEGSON® NINGBO DEGSON ELECTRICAL CO., LTD 宁波高松电子有限公司		NAME:	D16A-BK-1L
APPRD:			TITLE:	CUSTOMER DRAWING
CHKD:			DRAWING NO.:	
DRFT: Mr. yqing2016.08.15			THIRD ANGLE PROJECTION	DO NOT SCALE DRAWING
		SCALE	1:1	1

A 8 7 6 5 4 3 2 1